



Have a Question?
 Chat with a Product Information Specialist

What can we help you find?

[Products](#) |
 [Industries](#) |
 [Resources](#) |
 [About TE](#) |
 [My Account](#) |
 [Innovation](#) |
 [Support Center](#)

211769-3 Product Details

[Share](#) |
 [Print](#) |
 [Email](#)



211769-3

TE Internal Number: 211769-3

Active

View 3D PDF

CPC (Circular Plastic) and Circular Metal-Shell Connectors

Always EU RoHS/ELV Compliant (Statement of Compliance)

Product Highlights:

- Housing
- Connector Style = Receptacle
- 9 Positions
- 9 Signal Positions
- 0 Power Positions

[View all Features](#)

Quick Links

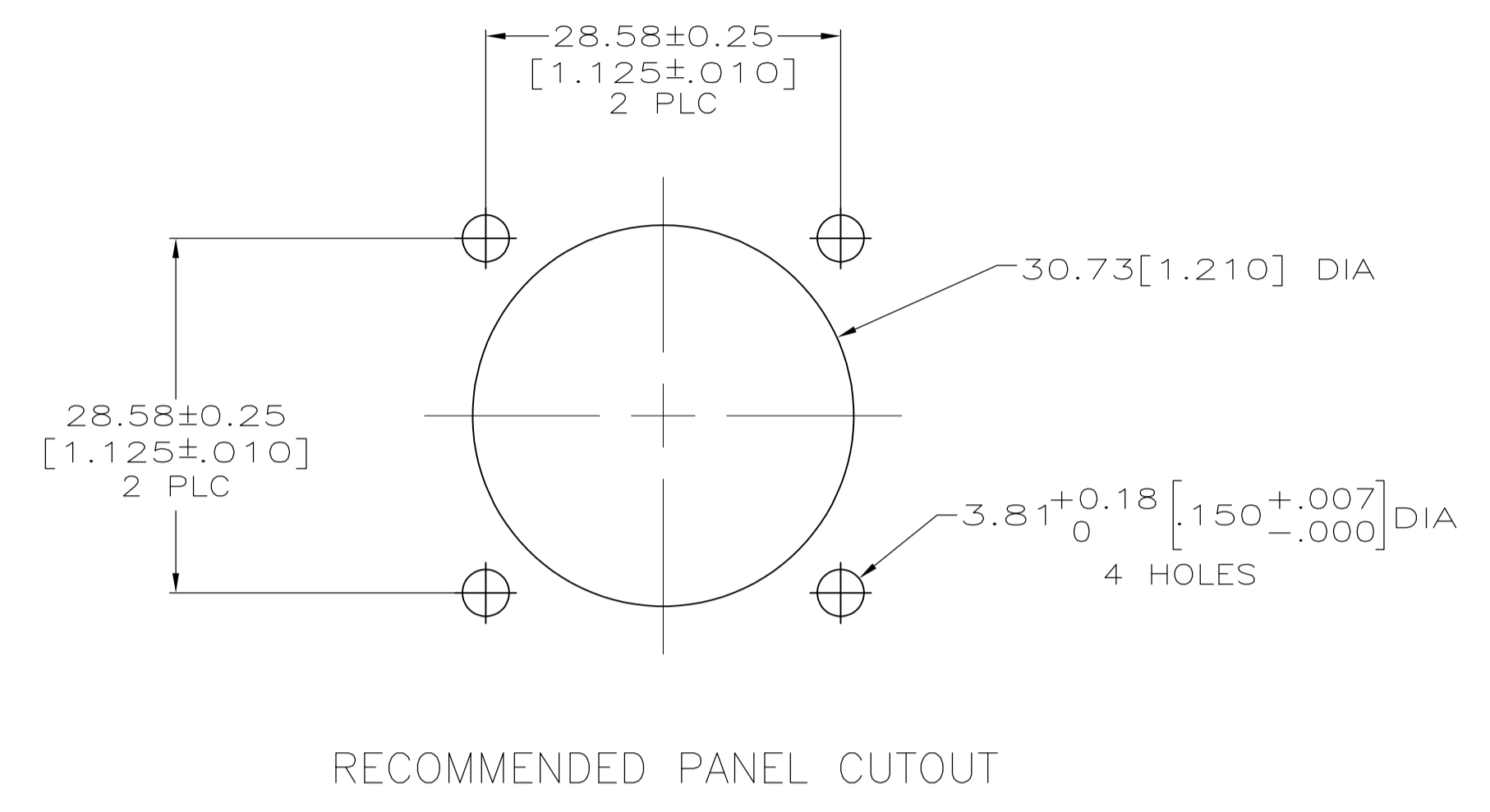
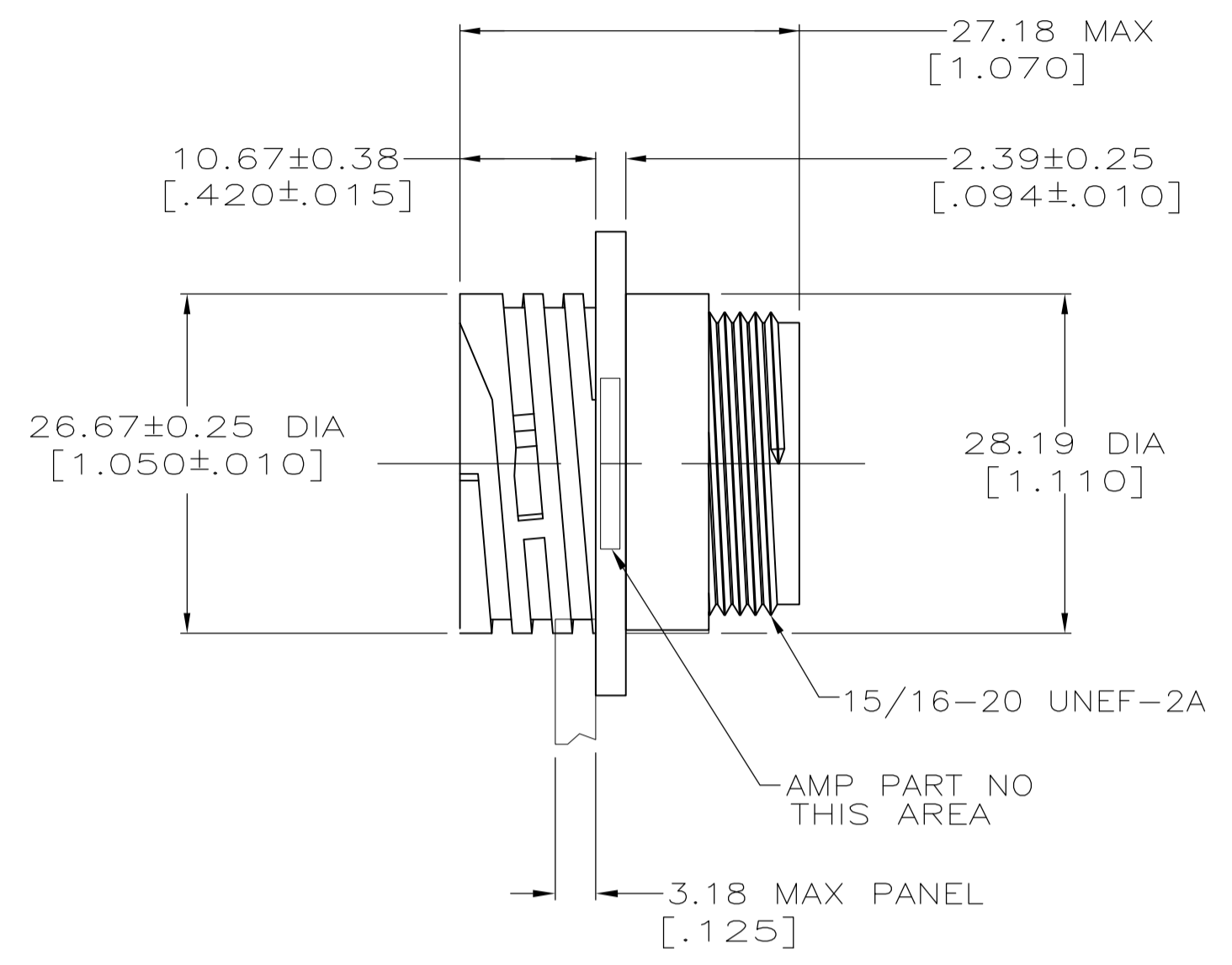
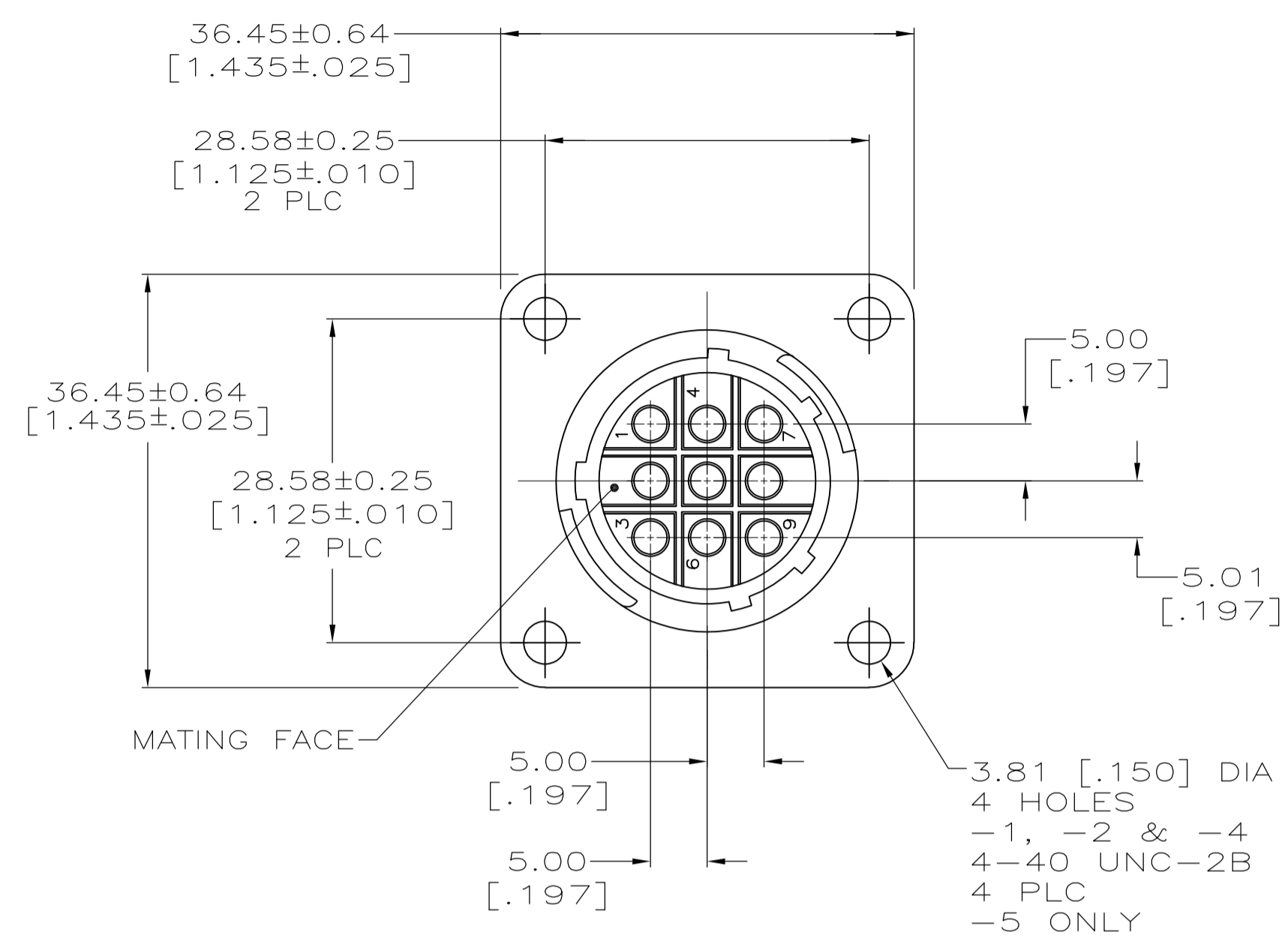
- ▶ [Pricing & Availability](#)
- ▶ [Search for Tooling](#)
- ▶ [View Mating Products \(1\)](#)
- ▶ [Product Feature Selector](#)
- ▶ [Contact Us About This Product](#)

[Add to My Part List](#) |
 [Request Sample](#) |
 [Find Similar Products](#) |
 [Buy Product](#)

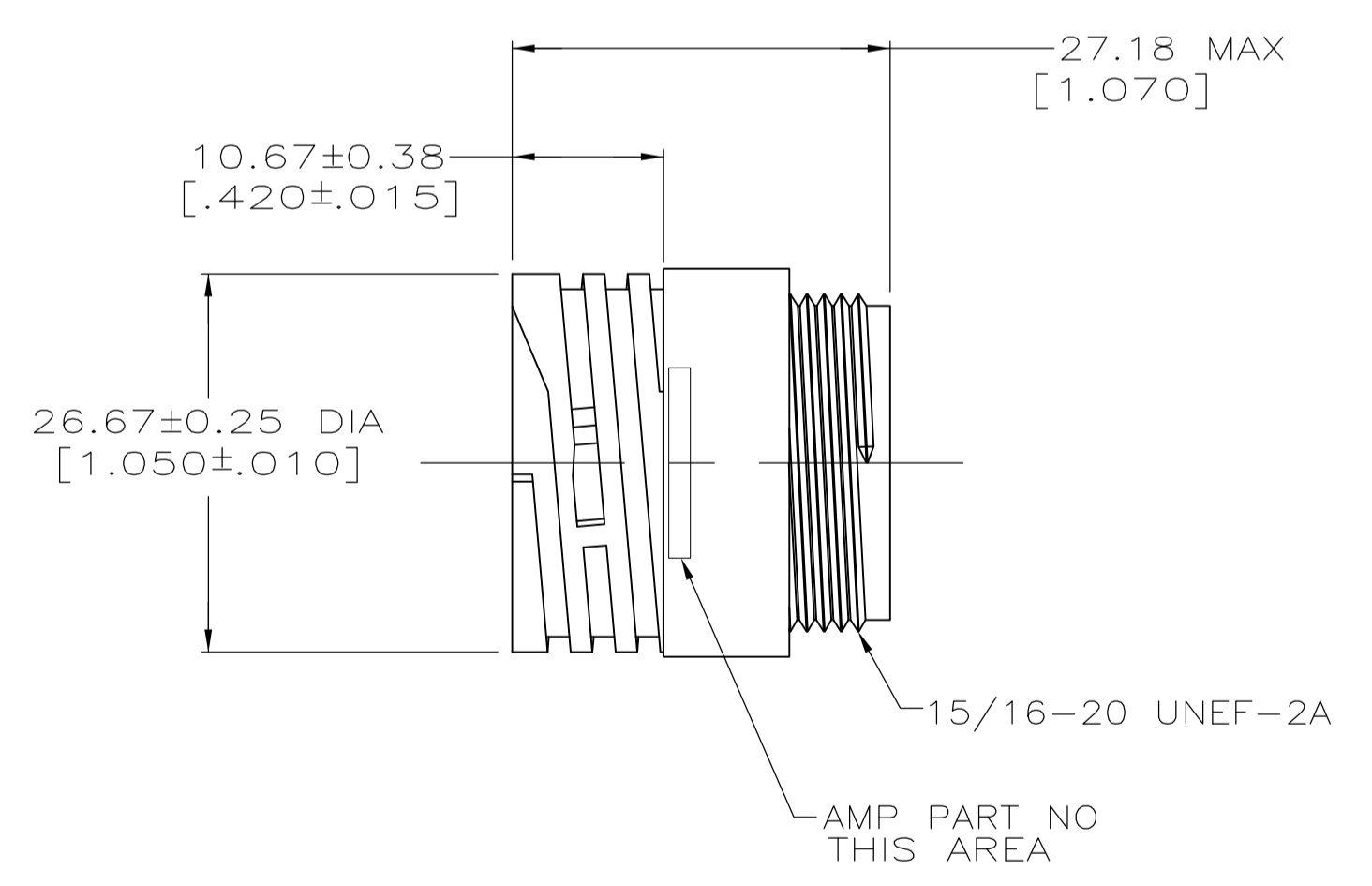
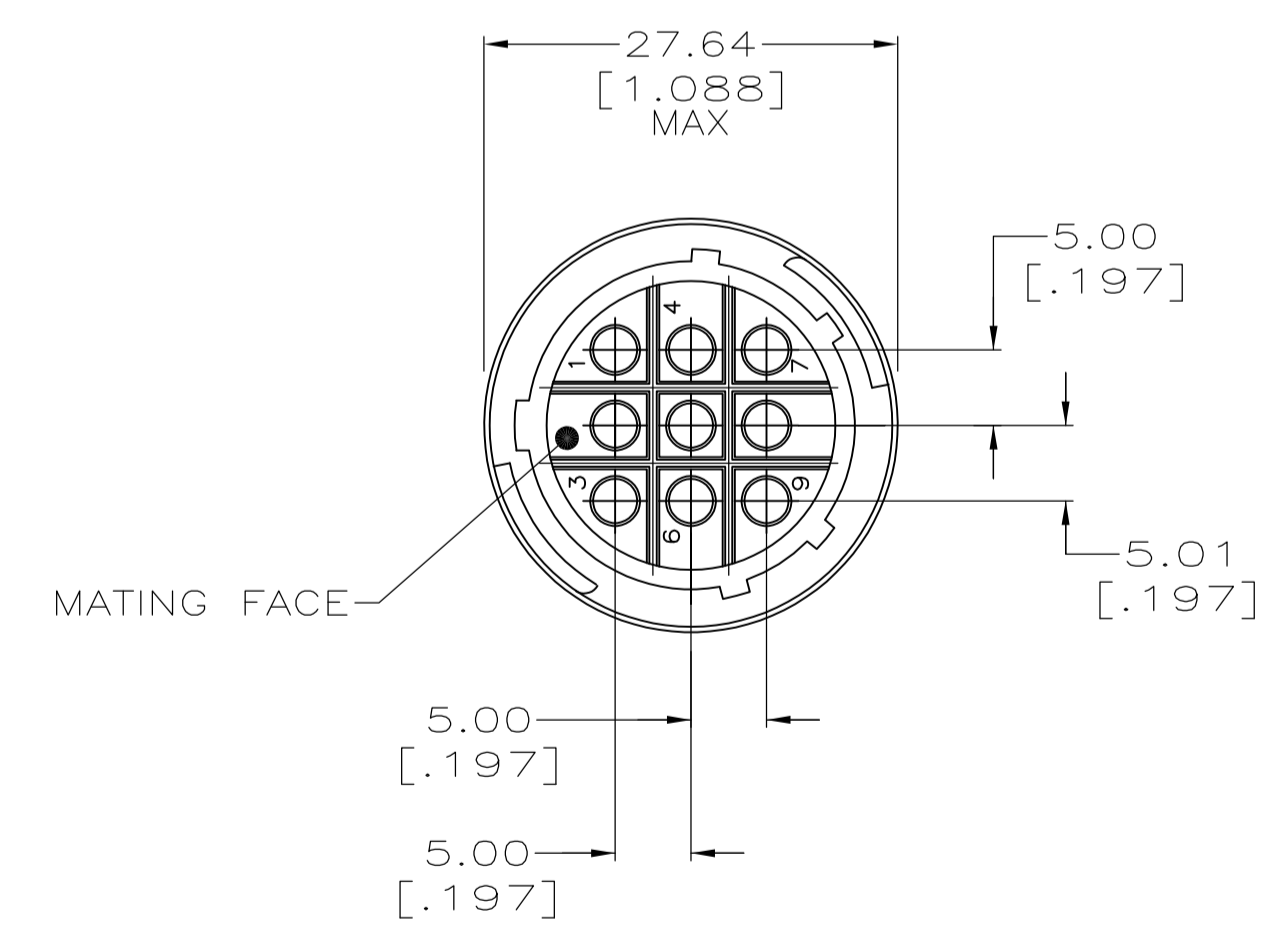
Documentation & Additional Information	
<p>Product Drawings:</p> <ul style="list-style-type: none"> • RECEPTACLE HOUSING, REVERSE SEX, SHELL SIZE 17, CPC (PDF, English) <p>Catalog Pages/Data Sheets:</p> <ul style="list-style-type: none"> • AMP Circular Connectors for Commercial Signal & Powe... (PDF, English) <p>Product Specifications:</p> <ul style="list-style-type: none"> • None Available <p>Application Specifications:</p> <ul style="list-style-type: none"> • Circular Plastic Connectors (CPC) (PDF, English) <p>Instruction Sheets:</p> <ul style="list-style-type: none"> • None Available <p>CAD Files: (CAD Format & Compression Information)</p> <ul style="list-style-type: none"> • 2D Drawing (DXF, Version AD) • 3D Model (IGES, Version AD) • 3D Model (STEP, Version AD) 	<p>Additional Product Images:</p> <ul style="list-style-type: none"> • Contact Arrangement • Keying Options <p>Related Products:</p> <ul style="list-style-type: none"> • Tooling • Mating Products (1)

[List all Documents](#)

Product Features (Please use the Product Drawing for all design activity)	
<p>Product Type Features:</p> <ul style="list-style-type: none"> • Connector Type = Housing • Mount Angle = Straight • Shell Size = 17 • Shell Type = All Plastic • Product Series = Series 1 • Thread Size = 15/16-20 UNEF-2A • Sealed = No <p>Mechanical Attachment:</p> <ul style="list-style-type: none"> • Mount = Free Hanging • Mating Retention Type = Threaded Coupling <p>Contact Features:</p> <ul style="list-style-type: none"> • Contact Type = Socket • Reverse Gender = Reverse <p>Housing Features:</p> <ul style="list-style-type: none"> • Connector Style = Receptacle • Mating Alignment Type = Keyed • Housing Material = Thermoplastic - GF • Housing Color = Black • UL Flammability Rating = UL 94V-0 	<p>Configuration Features:</p> <ul style="list-style-type: none"> • Number of Positions = 9 • Number of Signal Positions = 9 • Number of Power Positions = 0 • Environmental Protection = Without • Reverse Numbering = Without <p>Industry Standards:</p> <ul style="list-style-type: none"> • VDE Tested = Yes • RoHS/ELV Compliance = RoHS compliant, ELV compliant • Lead Free Solder Processes = Not relevant for lead free process • RoHS/ELV Compliance History = Always was RoHS compliant <p>Identification Marking:</p> <ul style="list-style-type: none"> • Keying = A <p>Environmental:</p> <ul style="list-style-type: none"> • Fluid Resistance = None <p>Conditions for Usage:</p> <ul style="list-style-type: none"> • Accepts Wire Insulation Diameter, Range (mm [in]) = 3.81 [0.150] <p>Other:</p> <ul style="list-style-type: none"> • Brand = AMP



211769-1, -2, -4 & -5



211769-3

1. CAVITY IDENTIFICATION ON FRONT AND REAR FACE.
2. WILL ACCEPT NINE (9) MULTIMATE SOCKET CONTACTS.
3. 3.81[.150] MAXIMUM INSULATION DIAMETER.
4. 2.54[.100] MAXIMUM INSULATION DIAMETER.

YES	FLANGE	211769-5
NO	FLANGE	211769-4
NO	FREE HANGING	211769-3
NO	FLANGE	211769-2
NO	FLANGE	211769-1
THREADED INSERTS	MOUNTING	PART NUMBER

THIS DRAWING IS A CONTROLLED DOCUMENT.

DIMENSIONS: mm [INCHES]	TOLERANCES UNLESS OTHERWISE SPECIFIED:	DIN 09-24-94	D. BROCKWAY
0 PLC ± -	1 PLC ± -	09-30-94	R. STONE
2 PLC ± 0.13 [.005]	3 PLC ± -	10-03-94	A. FRANTUM
4 PLC ± -	ANGLES ± -		
MATERIAL -	FINISH -	SIZE A1	00779 C=211769
		WEIGHT -	RESTRICTED TO -
		CUSTOMER DRAWING	SCALE 2:1 SHEET 1 OF 1 REV G1

STE TE Connectivity

RECEPTACLE HOUSING, REVERSE SEX, SHELL SIZE 17, CPC