

Distributed by:

JAMECO[®]
ELECTRONICS

www.Jameco.com ♦ 1-800-831-4242

The content and copyrights of the attached
material are the property of its owner.

Jameco Part Number 1965162

Accessories (Continued)

Male Screw Retainers for Metal-Shell Connectors

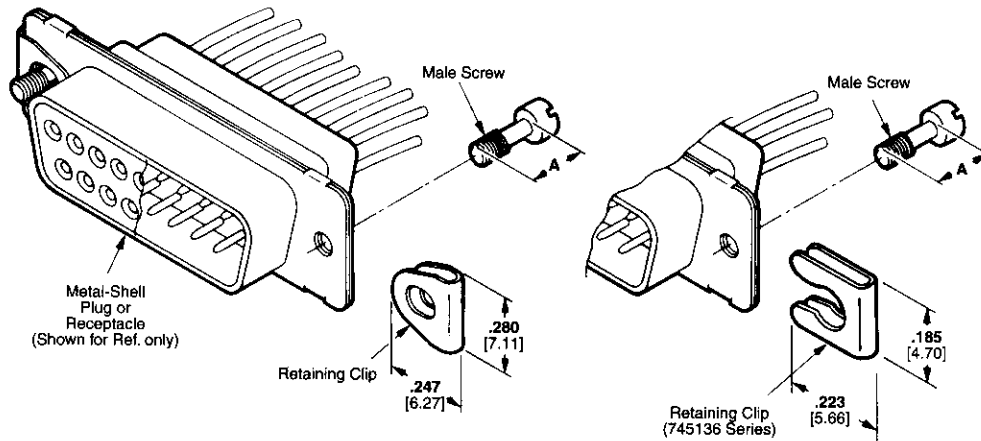
Material and Finish

Male Screw — Steel, zinc plated clear or yellow chromate

Retaining Clip — .012 [0.31] stainless steel

Technical Documents

Instruction Sheet — 408-7837



Male Screw Finish	Thread Size	Dimension A	Male Screw Retainer Kit No.	
			Individual	Bulk Packed*
Yellow Chromate	4-40	.220 5.59	205980-1	205980-3
		.200 5.08	745136-1	745136-2
	M3 (Metric)	.225 5.72	207871-1	—
	M2.6 (Metric)	.225 5.72	750035-1	—
	Clear Chromate	4-40	.220 5.59	205980-4
.200 5.08			745136-3	745136-4

*Each part is individually bulk packed for multiple kit orders.

- Notes:**
- All parts are packaged unassembled.
 - Each kit is comprised of two male screws and two retaining clips. Male screw retainers are also furnished as part of cable clamp kits (pages 5148 and 5149).
 - Male screw retainers mate with female screwlocks (page 5148) and with metal-shell board mount connectors featuring 4-40 threaded inserts or female screwlocks.
 - Retaining clip must be assembled onto connector flanges with threaded hole toward wire side of connector.

Pin and Socket Connectors

Stainless Steel Kit

Male Screw Retainer Kits

Materials

All Parts — Stainless steel, passivated per QQ-P-35B.

AMP Part Number 211883-5 or
MIL Part Number M24308/25-6P

Notes:

- Each kit includes two screws and two retainers.
- Retainer is assembled onto connector flange with threaded hole toward the wire side of the connector.

