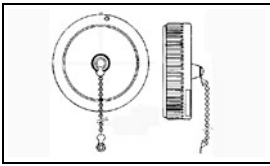


## 211904-1 Product Details

[Share](#) [Print](#) [Email](#)



**211904-1**

TE Internal Number: 211904-1  
✔ Active

[View 3D PDF](#)

### CPC Accessories

Always EU RoHS/ELV Compliant (Statement of Compliance)

#### Product Highlights:

- Accessory Type = Sealing Cap
- Shell Size = 28
- Metal Bead Chain Cap To Flange Attachment
- RoHS compliant, ELV compliant
- Lead Free Solder Processes = Not relevant for lead free process

[View all Features](#)

### Quick Links

- ▶ [Pricing & Availability](#)
- ▶ [Search for Tooling](#)
- ▶ [Product Feature Selector](#)
- ▶ [Contact Us About This Product](#)

[Add to My Part List](#) [Request Sample](#) [Find Similar Products](#) [Buy Product](#)

### Documentation & Additional Information

#### Product Drawings:

- [PROTECTIVE CAP ASSEMBLY, SIZE 28, CMC \(PDF, English\)](#)

#### Catalog Pages/Data Sheets:

- [AMP Circular Connectors for Commercial Signal & Powe... \(PDF, English\)](#)

#### Product Specifications:

- None Available

#### Application Specifications:

- None Available

#### Instruction Sheets:

- None Available

#### CAD Files: [\(CAD Format & Compression Information\)](#)

- [2D Drawing \(DXF, Version F\)](#)
- [3D Model \(IGES, Version F\)](#)
- [3D Model \(STEP, Version F\)](#)

[List all Documents](#)

#### Additional Information:

- [Product Line Information](#)

#### Related Products:

- [Tooling](#)

### Product Features (Please use the Product Drawing for all design activity)

#### Product Type Features:

- [Accessory Type](#) = Sealing Cap
- [Shell Size](#) = 28

#### Mechanical Attachment:

- [Cap To Flange Attachment](#) = Metal Bead Chain
- [Bead Chain Coupling Material](#) = Nickel Plated Brass
- [Bead Chain Material](#) = Nickel Plated Steel
- [Sealing Gasket Material](#) = Elastomer
- [Sealing Cap Material](#) = Zinc Alloy

#### Body Features:

- [Sealing Cap Plating](#) = Nickel

#### Industry Standards:

- [RoHS/ELV Compliance](#) = RoHS compliant, ELV compliant
- [Lead Free Solder Processes](#) = Not relevant for lead free process
- [RoHS/ELV Compliance History](#) = Always was RoHS compliant

#### Other:

- [Brand](#) = AMP
- [Comment](#) = For Metal-Shell CPC Receptacles Only.

### Corporate Information

- [About TE](#)
- [Investors](#)
- [News Room](#)
- [Supplier Portal](#)
- [Careers](#)
- [Terms & Conditions](#)
- [Privacy Policy](#)

### Quick Links

- [Distributor Inventory](#)
- [Product Cross Reference](#)
- [Documents & Drawings](#)
- [Product Compliance Support Center](#)
- [Site Map](#)

### Customer Support

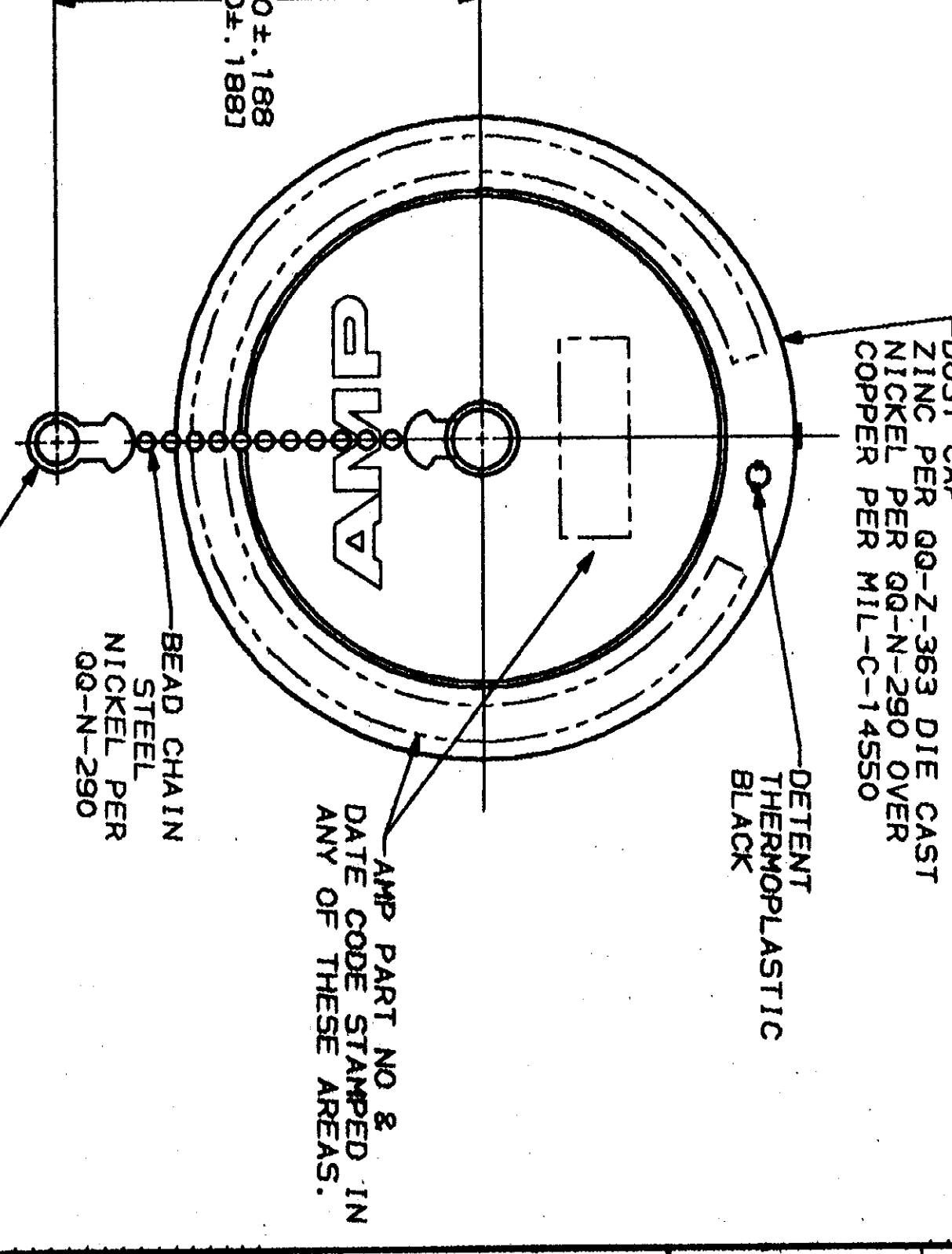
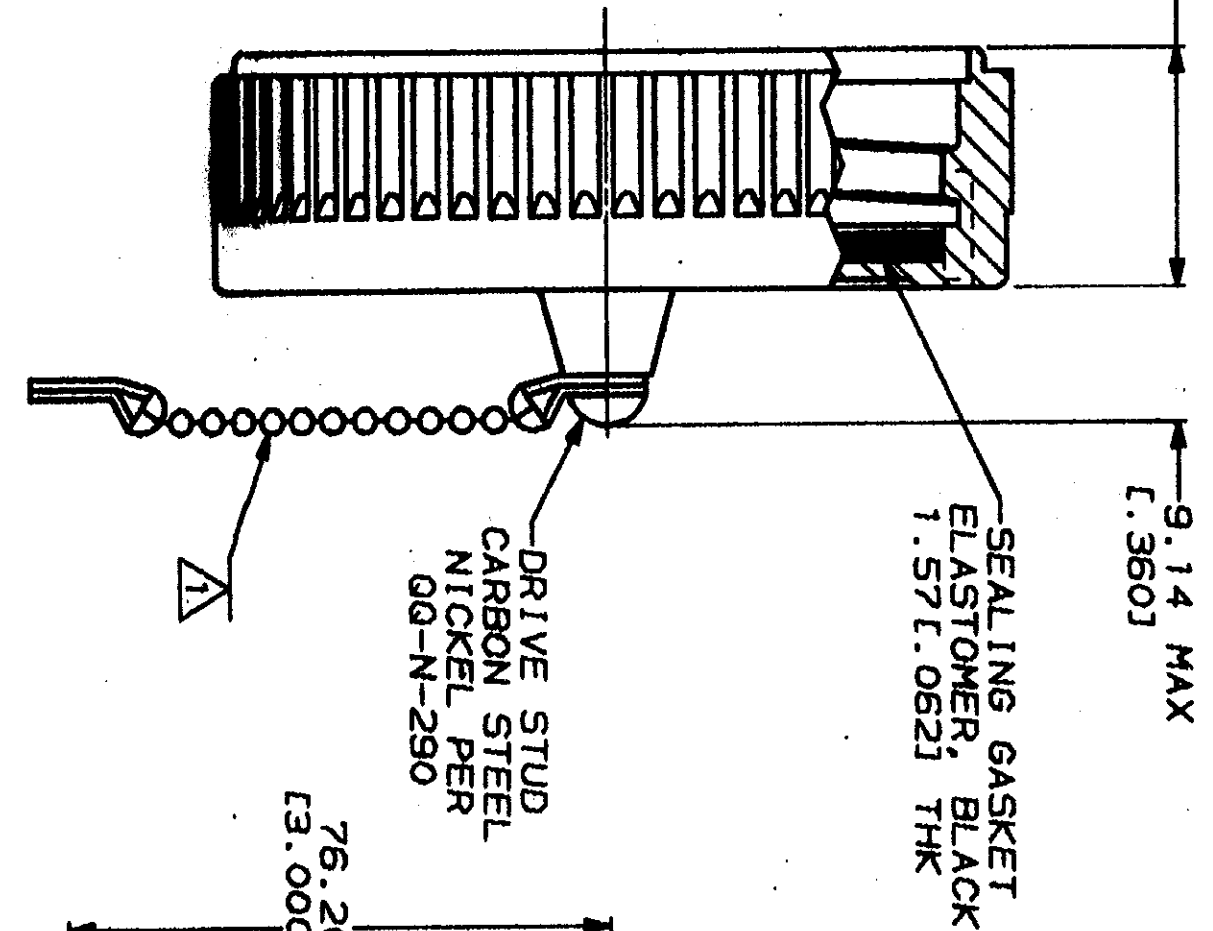
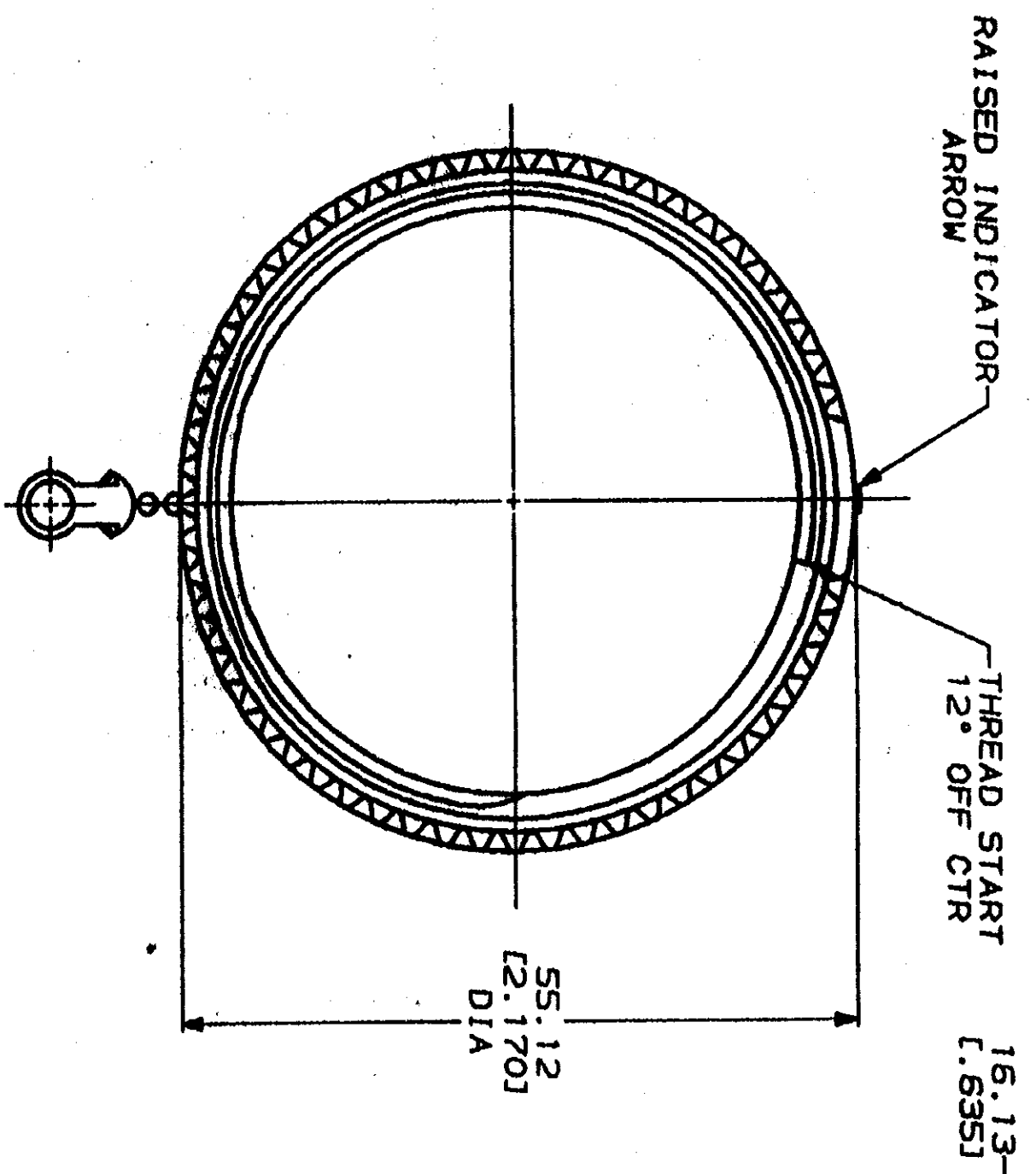
- [Email or Chat With Us](#)
- [Find a Phone Number](#)
- [Knowledge Base](#)
- [Manage Your Account](#)

### Keep Me Informed



DRAWING MADE IN THIRD ANGLE PROJECTION  
 THIS DRAWING IS UNCLASSIFIED  
 DATE 10/26/95 BY 1036/SS/SP/SL

REV	NO	DATE	APPD	DESCRIPTION
23	BD 39			REVISION & REV ECH B05241



△ BEADED PORTION OF CHAIN MUST ROTATE FREELY. THE EYELET OF THE CHAIN IS NOT REQUIRED TO SPIN FREELY AROUND THE STUD.

211904-1

PART NO

DO NOT SCALE PRINT. UNLESS SPECIFIED DIMENSIONS IN MM (INCHES) TOLERANCES ON: 1. ALL DIMENSIONS ± 0.25 (0.010) 2. PLC DEC ± 0.25 (0.010) 3. PLC DEC ± 0.25 (0.010) ANGLES ± 0.25 (0.010)	DR 08/13/91 R. SHIREY	DR 08/13/91 R. SHIREY	AMP Incorporated Harrisburg, PA 17105-3608
SEE CALLOUTS	CHK R. Shaw 9-5-91	CHK R. Shaw 9-5-91	NAME
SEE CALLOUTS	APPD K. Blawie 9-17-91	APPD K. Blawie 9-17-91	PROTECTIVE CAP ASSEMBLY, SIZE 28, CMC
SEE CALLOUTS	APPD J. Johnson 9/19/91	APPD J. Johnson 9/19/91	AMP PART NO & DATE CODE STAMPED IN ANY OF THESE AREAS.
FINISH SEE CALLOUTS	APPLICATION SPEC	APPLICATION SPEC	AMP PART NO & DATE CODE STAMPED IN ANY OF THESE AREAS.
WEIGHT	SCALE 2:1	SCALE 2:1	AMP PART NO & DATE CODE STAMPED IN ANY OF THESE AREAS.

PROTECTIVE CAP ASSEMBLY,  
 SIZE 28, CMC

AMP 211904

AMP 211904

CUSTOMER DRAWING