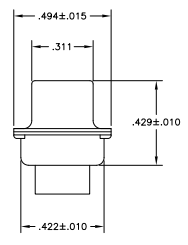
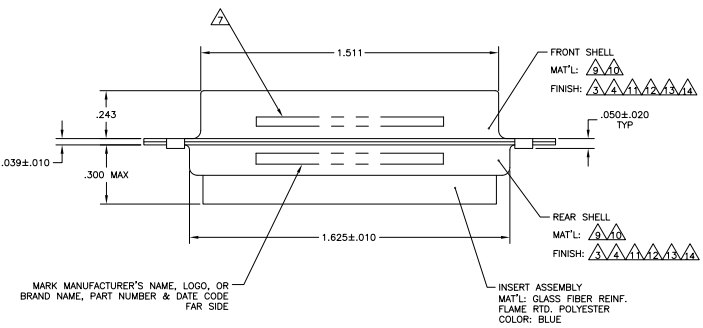
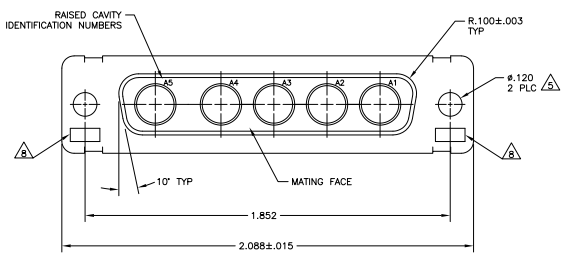


1. THIS RECEPTACLE WILL MATE WITH ANY 5CS, SIZE 3 PLUG IN AMPLIMITE SERIES.
 2. USE (S) POWER 8, OR COAX SOCKET CONTACTS. CONSULT PRODUCT ENGINEERING FOR MORE DETAILS.
- ▲ CADMIUM PER QQ-P-416.
 - ▲ FINISH: TIN PER ASTM-B-545 .000200 MIN THK OVER COPPER PER AMS2418 .000100-.000200 THK.
 - ▲ ALL EXCEPT FOR 212059-5 AND 212059-6.
 - ▲ 4-40 UNC-3B CLINCH NUT, 2 REQ'D.
 - ▲ CUSTOMER PART NO. INK STAMPED FAR SIDE.
 - ▲ UL/CSA DESIGNATION STAMPED IN THIS AREA, OPTIONAL.
 - ▲ STEEL PER ASTM-A-109.
 - ▲ BRASS PER ASTM-B-36.
 - ▲ GOLD PLATED PER MIL-C-45204 OVER COPPER PER AMS2418.
 - ▲ FINISH: BRIGHT TIN PER ASTM-B-545 .000400-.000550 THK OVER COPPER PER AMS2418 .000050 MIN THK.
 - ▲ FINISH: TIN PER ASTM-B-545 .000200 MIN THK OVER COPPER PER AMS2418 .000100-.000200 THK.
 - ▲ ZINC PLATE PER ASTM-B-633 .000200-.000400 THK WITH SUPPLEMENTARY CHROMATE (Cr3+)



CLINCH NUT #4-40UNC
 2 REQ'D
 MAT'L: CARBON STEEL
 FINISH: PLATED ZINC
 YELLOW CHROMATE
 212059-5 ONLY

CUSTOMER PART NO.	REMARKS	PART NO.
-	▲▲▲▲▲	5-212059-5
-	▲▲▲	5-212059-1
B010942-000B	▲▲▲▲▲	1-212059-3
B010942-0007	▲▲▲▲▲	1-212059-1
-	▲▲▲▲▲	1-212059-0
-	▲▲▲	212059-9
-	-	212059-8
B010942-0016	▲▲▲▲▲	212059-7
311P405-10S-B-15	▲▲▲▲▲	212059-6
-	▲▲▲▲▲	212059-5
97942-645A935H01	▲▲▲▲▲	212059-4
-	▲▲▲	212059-3
311P405-10S-B-12	▲▲▲▲▲	212059-2
-	▲▲▲	212059-1

THIS DRAWING IS A CONTROLLED DOCUMENT.

DESIGNED BY	DATE	REVISED BY	DATE
APPROVED BY		APPROVED BY	

RECEPTACLE ASSEMBLY
 AMPLIMITE 5CS
 SERIES 109, SIZE 3, COAX MIX

DATE: 00779
 DRAWING NO: 212059

CUSTOMER DRAWING