

Distributed by:

JAMECO[®]
ELECTRONICS

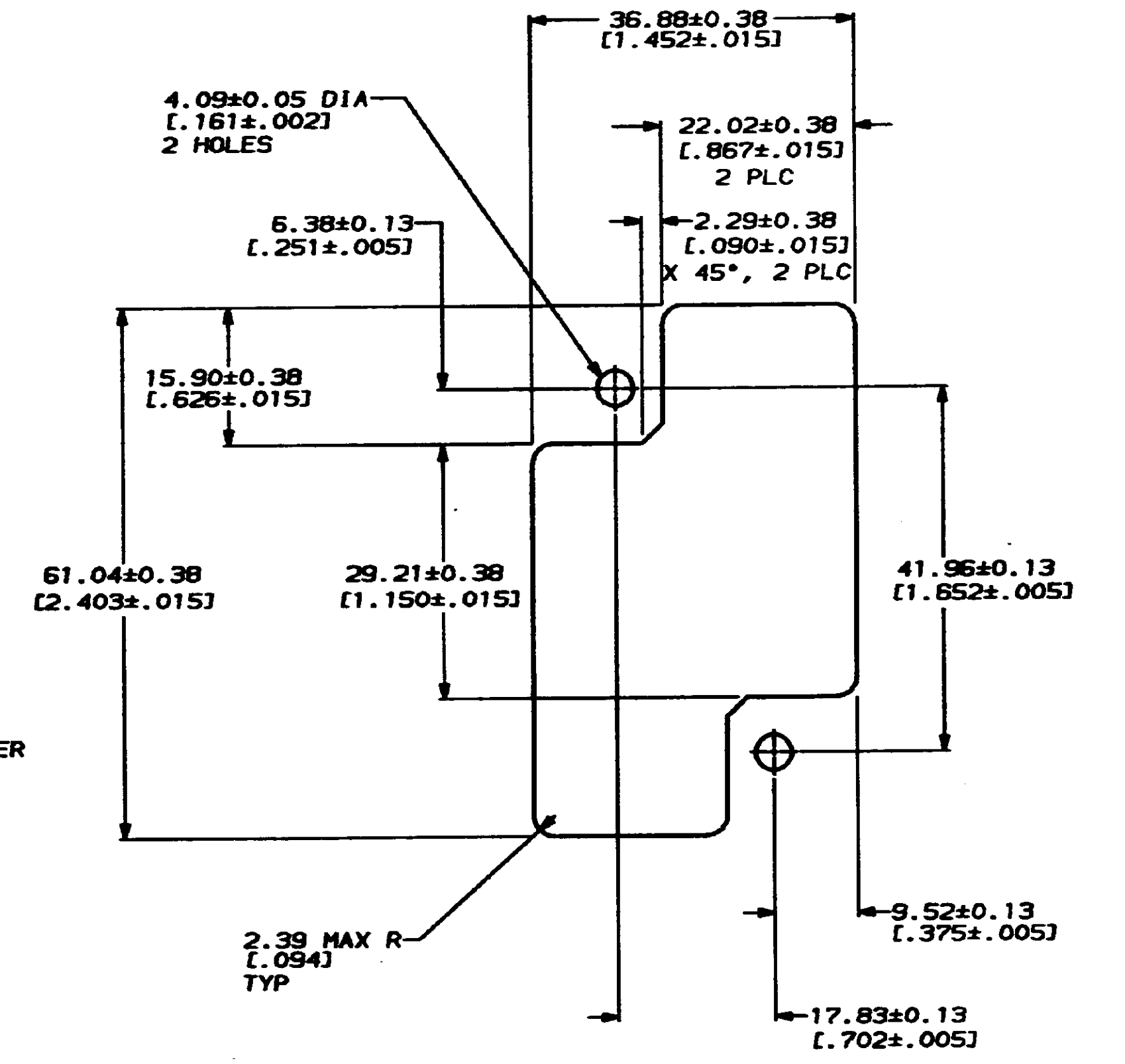
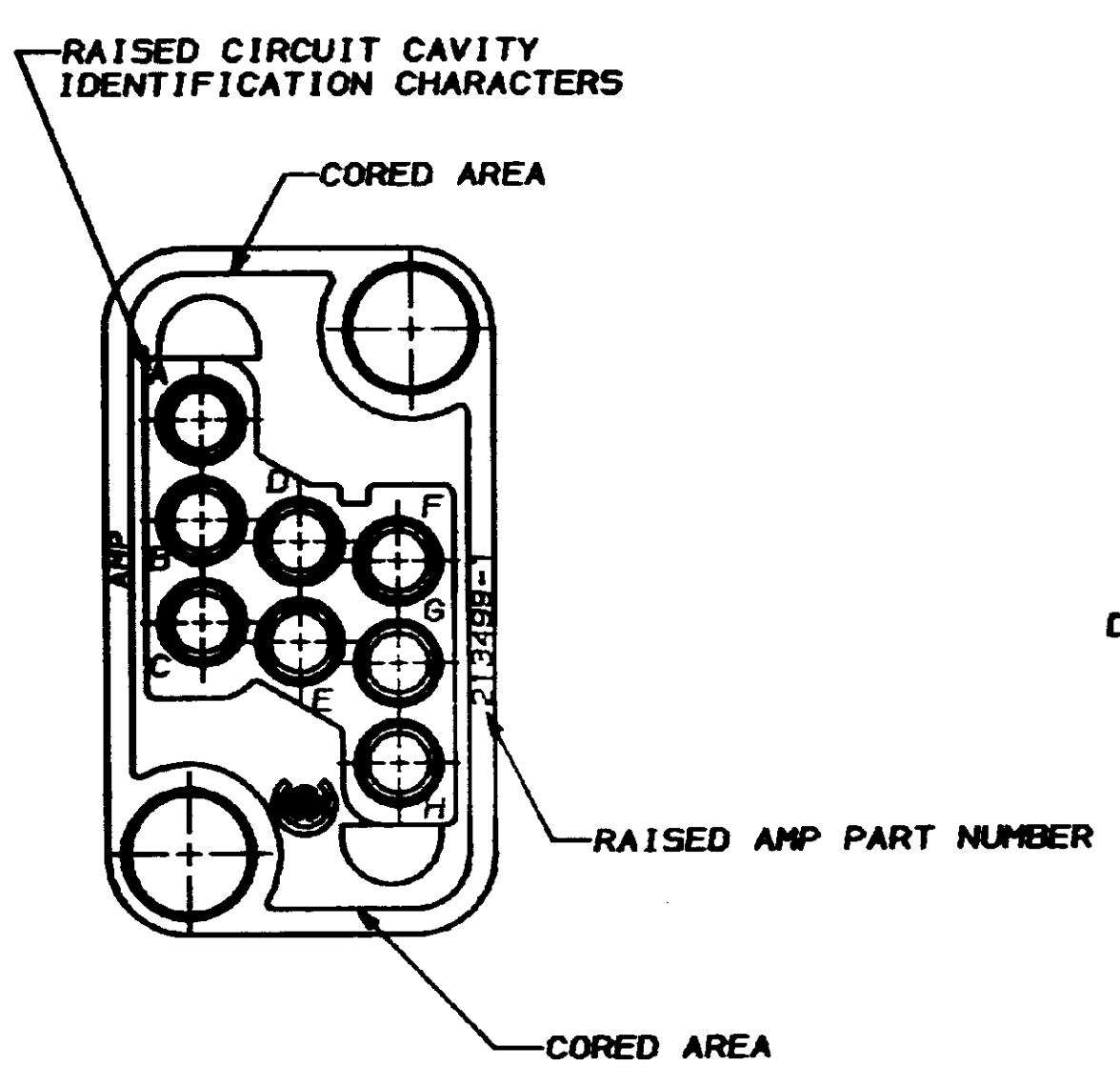
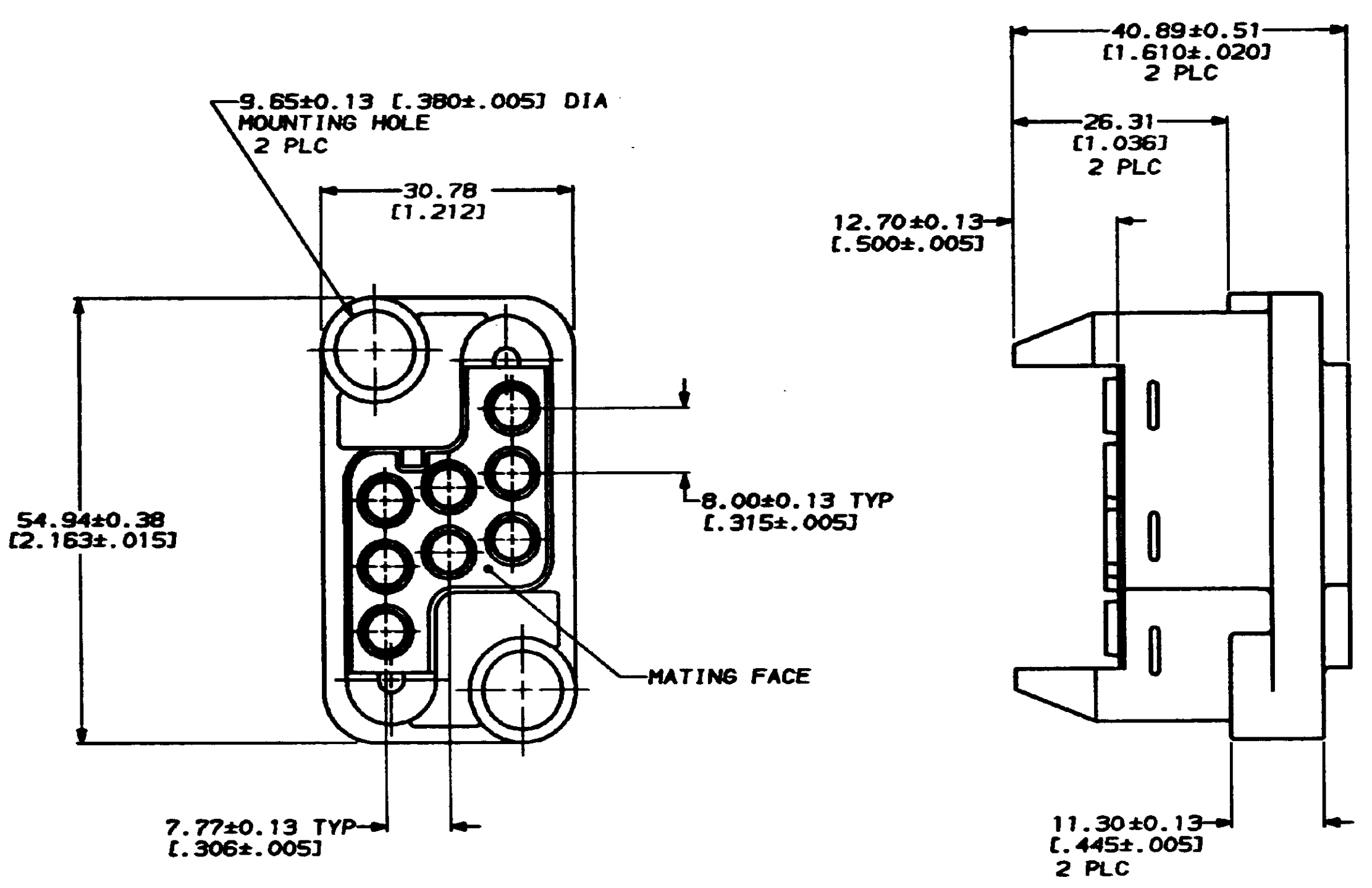
www.Jameco.com ♦ 1-800-831-4242

The content and copyrights of the attached
material are the property of its owner.

Jameco Part Number 750400

8
DRAWING MADE IN THIRD ANGLE PROJECTION
THIS DRAWING IS UNPUBLISHED. RELEASED FOR PUBLICATION
COPYRIGHT 19 BY AMP INCORPORATED. ALL INTERNATIONAL RIGHTS RESERVED.

REVISE		REV		DATE		BY		APPROV	
NO	DATE	BY	APPROV	DESCRIPTION	DATE	BY	APPROV	DESCRIPTION	DATE
0	REL/NPR#2092 WAS 87-5019-32	10-28-88	MG						
A	REV PER ECN S4434	3-29-89	MG						
B	REV PER ECN S4653	8/1/88	MG						
C	REV PER ECN B03182	8-21-89	AB						
D	REV ECN B04792 & B05024	04/28/90	A-T						



RECOMMENDED PANEL CUTOUT

1. THIS PLUG HOUSING MATES WITH RECEPTACLE HOUSING PART NUMBER 213500-1.
2. FOR MOUNTING SCREW INFORMATION SEE DRAWING 208211.
3. THIS HOUSING ACCEPTS (8) POWER SIZE 8 OR COAXIAL SIZE 8 SOCKET CONTACTS.
4. DIMENSIONS IN BRACKETS ARE IN INCHES.

DO NOT SCALE PRINT. UNLESS SPECIFIED DIMENSIONS ARE IN MM TOLERANCES ON ± 2 PLC DEC ± 0.25(.010) 3 PLC DEC ± 0.38(.015) ANGLES ± 0.30°		18-28-88 MARK HOFFECKER 10-28-88 LARRY G LAWVER 10-29-88 MICHAEL D GALLOWAY APPD PRODUCT SPEC		213499-1 PART NO AMP INCORPORATED Harrisburg, Pa. 17105 NAME HOUSING, PLUG, DRAWER CONNECTOR, 8 POSITION, METRIMATE	
FINISH	APPLICATION SPEC	SIZE	FSCR NO	DRAWING NO	
		D	00779	213499	
WEIGHT		SCALE	2:1	SHEET	1 OF 1

METRIC

CUSTOMER DRAWING