



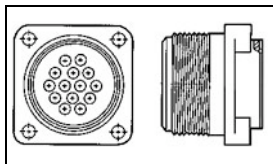
Have a Question?
 Chat with a Product Information Specialist

What can we help you find?

[Products](#) |
 [Industries](#) |
 [Resources](#) |
 [About TE](#) |
 [My Account](#) |
 [Innovation](#) |
 [Support Center](#)

213570-1 Product Details

[Share](#) |
 [Print](#) |
 [Email](#)



213570-1

TE Internal Number: 213570-1

Active

[View 3D PDF](#)

CPC (Circular Plastic) and Circular Metal-Shell Connectors

Always EU RoHS/ELV Compliant (Statement of Compliance)

Product Highlights:

- Housing
- Connector Style = Receptacle
- 14 Positions
- 14 Signal Positions
- 0 Power Positions

[View all Features](#)

Quick Links

- ▶ [Pricing & Availability](#)
- ▶ [Search for Tooling](#)
- ▶ [View Mating Products \(1\)](#)
- ▶ [Product Feature Selector](#)
- ▶ [Contact Us About This Product](#)

[Add to My Part List](#) |
 [Request Sample](#) |
 [Find Similar Products](#) |
 [Buy Product](#)

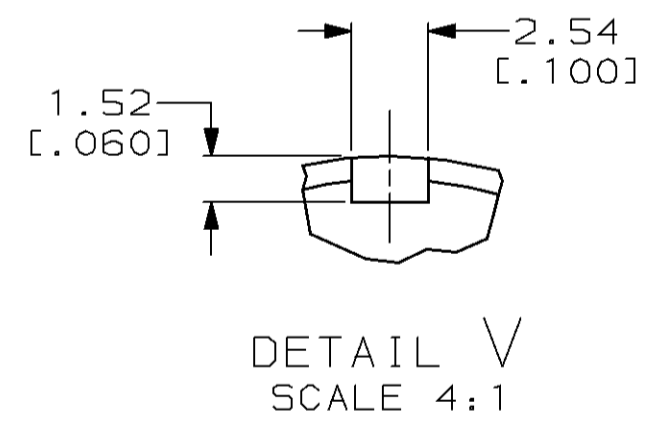
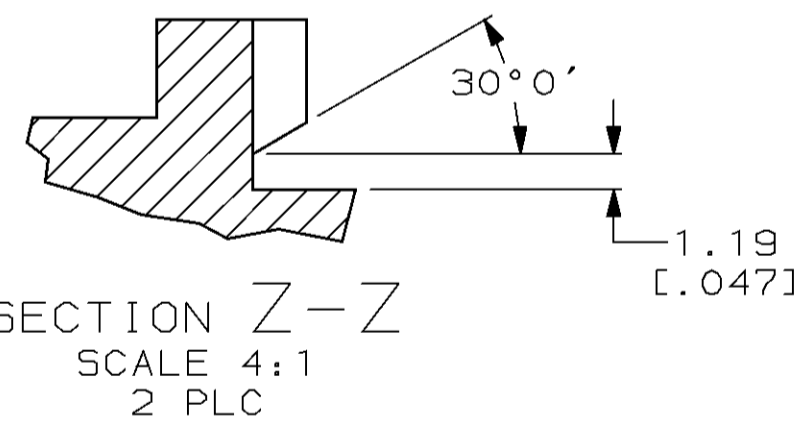
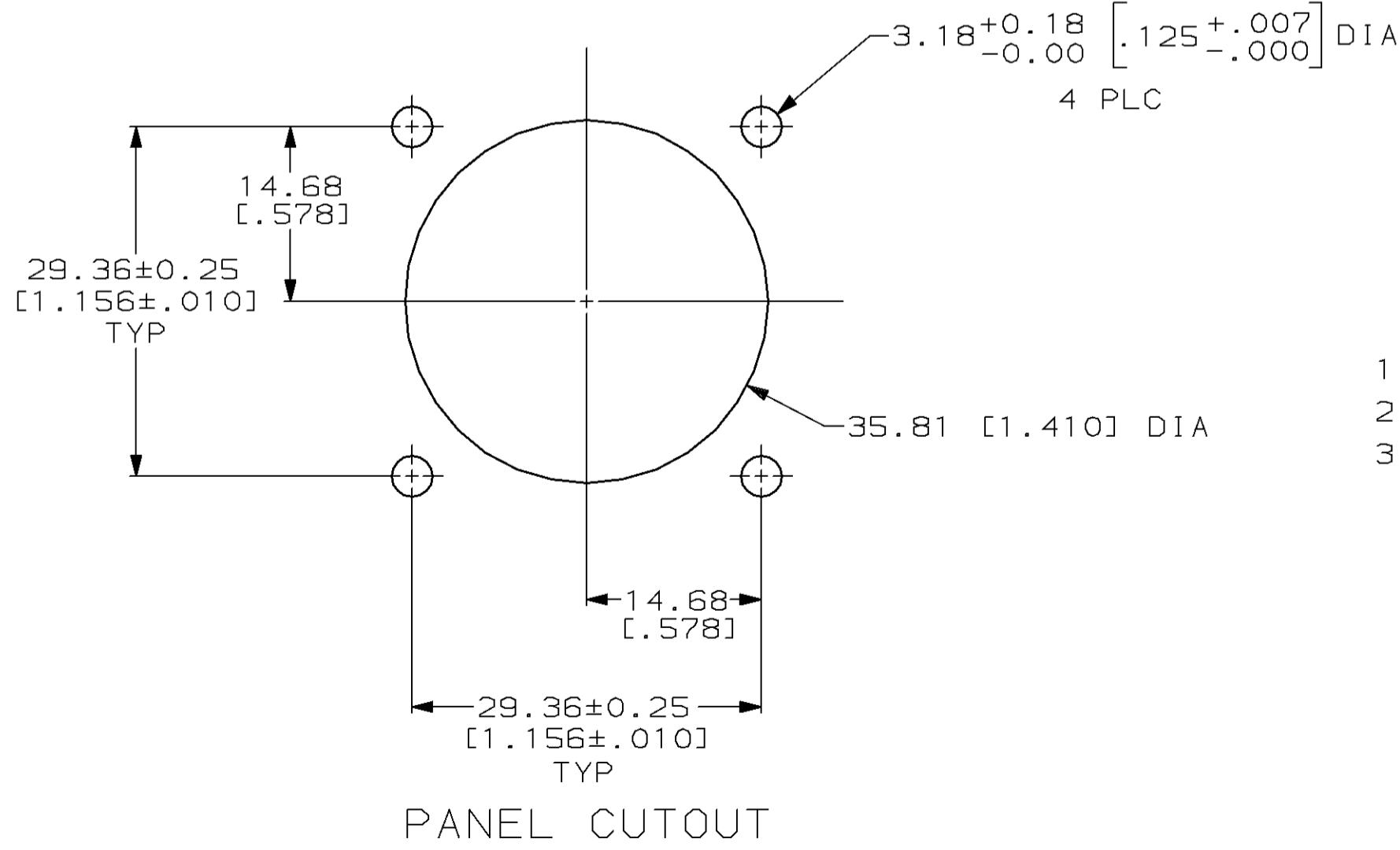
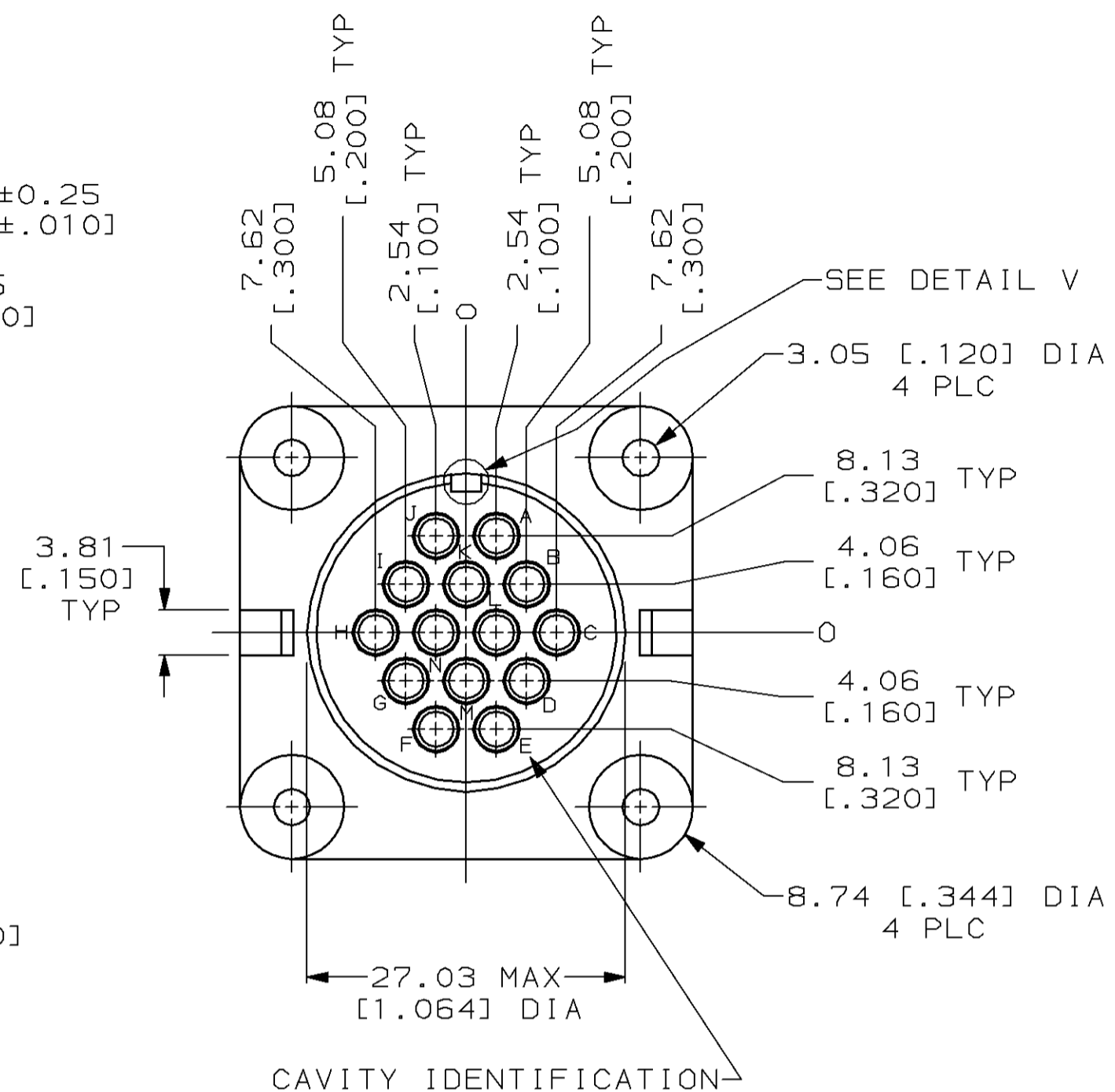
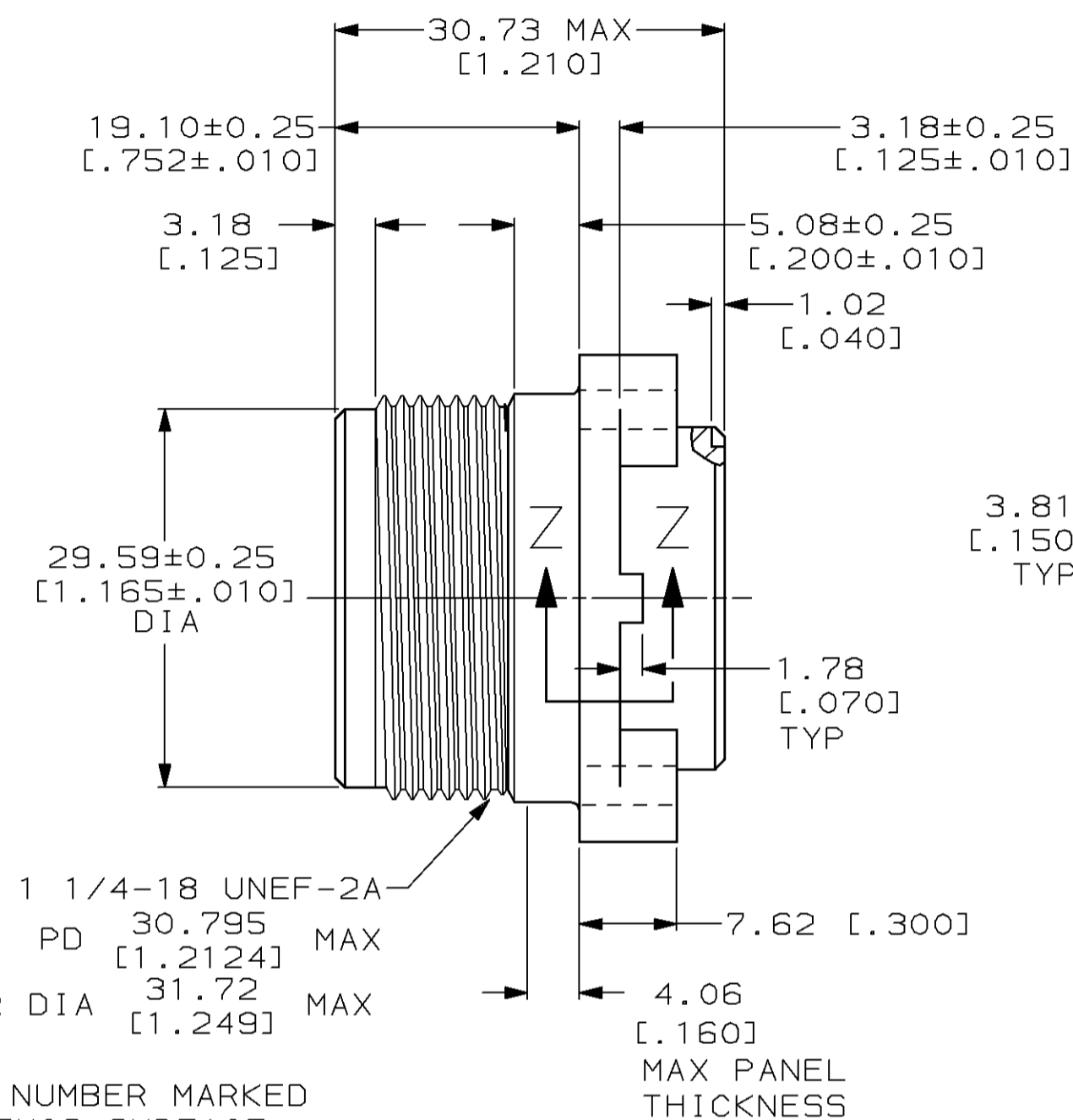
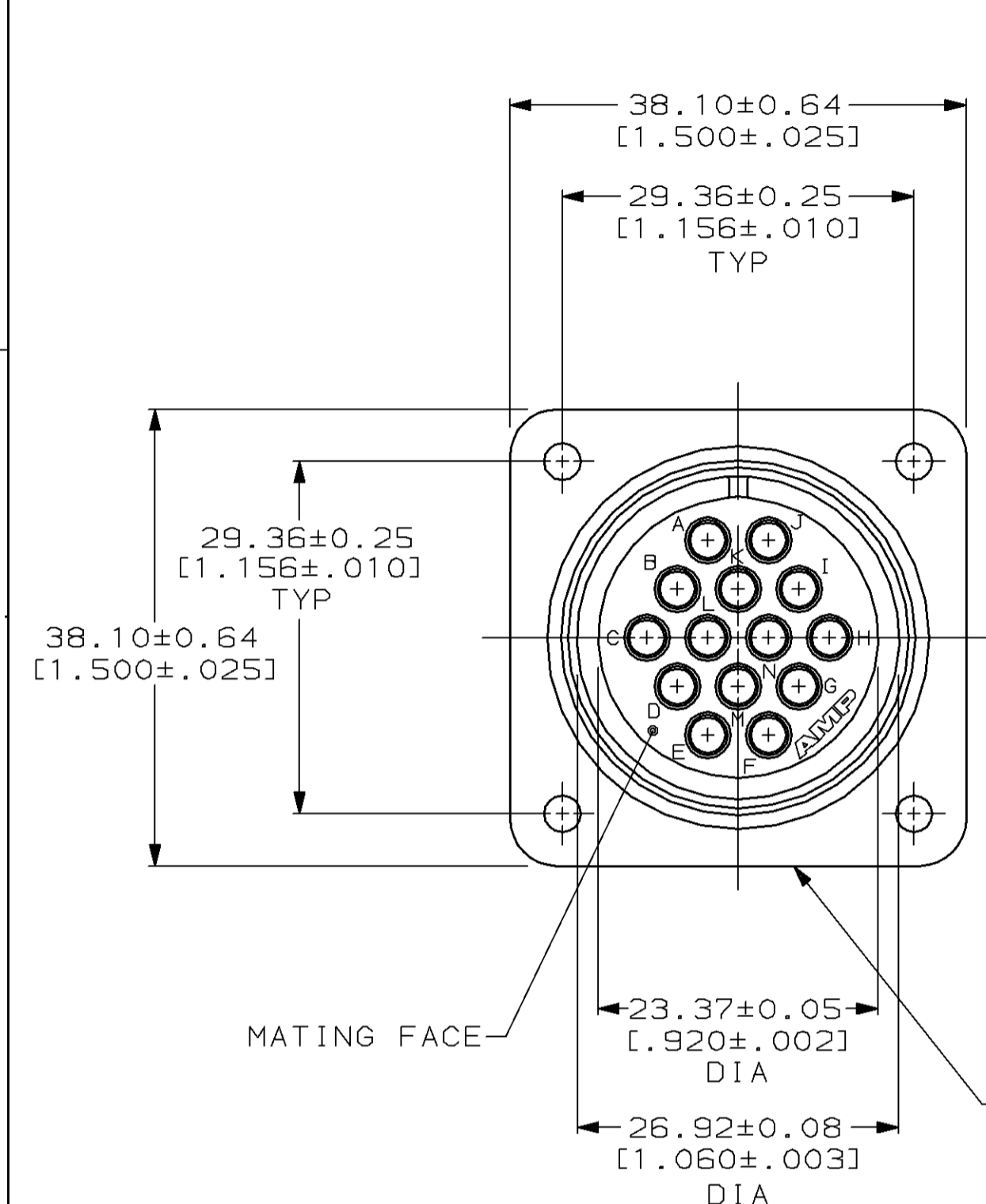
Documentation & Additional Information	
<p>Product Drawings:</p> <ul style="list-style-type: none"> • RECEPTACLE, 20-14 ARR, REVERSE SEX, CPC (PDF, English) <p>Catalog Pages/Data Sheets:</p> <ul style="list-style-type: none"> • AMP Circular Connectors for Commercial Signal & Powe... (PDF, English) <p>Product Specifications:</p> <ul style="list-style-type: none"> • None Available <p>Application Specifications:</p> <ul style="list-style-type: none"> • None Available <p>Instruction Sheets:</p> <ul style="list-style-type: none"> • None Available <p>CAD Files: (CAD Format & Compression Information)</p> <ul style="list-style-type: none"> • 2D Drawing (DXF, Version F) • 3D Model (IGES, Version F) • 3D Model (STEP, Version F) 	<p>Related Products:</p> <ul style="list-style-type: none"> • Tooling • Mating Products (1)

[List all Documents](#)

Product Features (Please use the Product Drawing for all design activity)	
<p>Product Type Features:</p> <ul style="list-style-type: none"> • Connector Type = Housing • Mount Angle = Straight • Shell Size = 20 • PCB Mount Retention = Without • Shell Type = All Plastic • Product Series = MIL-C-5015 • Thread Size = 1 1/4 - 18 UNEF-2A • Sealed = No <p>Mechanical Attachment:</p> <ul style="list-style-type: none"> • Mount = Panel • Mating Retention Type = Threaded Coupling <p>Body Features:</p> <ul style="list-style-type: none"> • Mount Style = Flange with Mounting Holes <p>Contact Features:</p> <ul style="list-style-type: none"> • Contact Type = Socket • Reverse Gender = Reverse <p>Housing Features:</p> <ul style="list-style-type: none"> • Connector Style = Receptacle • Mating Alignment Type = Keyed • Housing Material = Polyamide - GF • Housing Color = Black 	<p>Configuration Features:</p> <ul style="list-style-type: none"> • Number of Positions = 14 • Number of Signal Positions = 14 • Number of Power Positions = 0 • Environmental Protection = Without <p>Industry Standards:</p> <ul style="list-style-type: none"> • VDE Tested = No • RoHS/ELV Compliance = RoHS compliant, ELV compliant • Lead Free Solder Processes = Not relevant for lead free process • RoHS/ELV Compliance History = Always was RoHS compliant <p>Environmental:</p> <ul style="list-style-type: none"> • Fluid Resistance = None <p>Other:</p> <ul style="list-style-type: none"> • Brand = AMP

THIS DRAWING IS UNPUBLISHED. RELEASED FOR PUBLICATION, 19 .
 © COPYRIGHT 19 BY AMP INCORPORATED. ALL INTERNATIONAL RIGHTS RESERVED.

MOD	Loc	DIST	P	F	REVISIONS			DATE	APPD
					ZONE	LTR	DESCRIPTION		
4	BD	35			D	REV PER EC	0020-299-93	04/07/93	RW
					E	REV PER EC	0020-155-94	03/09/94	AF
					F	REV PER EC	0020-0740-94	07/13/94	AF



1. RECEPTACLE MATES WITH PLUG, AMP PART NO 213572-1.
2. RECEPTACLE WILL ACCEPT TYPE III+ SOCKET CONTACTS.
3. RECEPTACLE MATES WITH PRODUCT DESIGNED TO MIL SPEC 5015.

DO NOT SCALE PRINT. UNLESS SPECIFIED DIMENSIONS IN mm [INCHES] TOLERANCES ON : 2 PLC DEC ± 0.13 [.005] 3 PLC DEC ± - ANGLES ± -		DR 08/29/89 W.G.LENKER CHK 11-17-89 R.STONE APPD 11-17-89 M.KAPEZYNSKI APPD 12-11-89 G.J.SACUNAS		213570-1 PART NO	
MATERIAL POLYAMID, BLACK	FINISH -	APPLICATION SPEC -	PRODUCT SPEC -	AMP INCORPORATED Harrisburg, Pa. 17105	
RECEPTACLE, 20-14 ARR, REVERSE SEX, CPC		SIZE C	CAGE CODE 00779	DRAWING NO 213570	
WEIGHT -		SCALE 2:1	SHEET 1 OF 1		