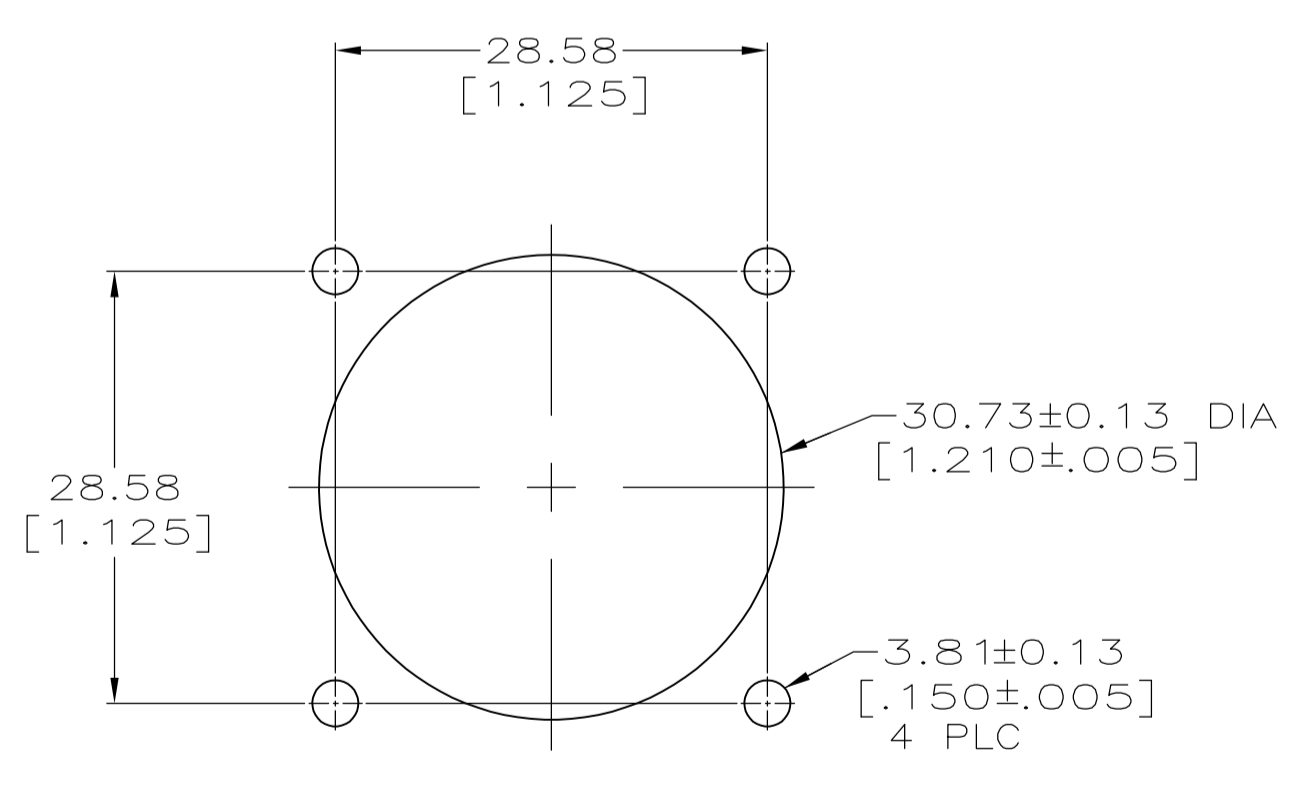


RECOMMENDED P.C. BOARD LAYOUT



RECOMMENDED PANEL CUTOUT

- 1 CAVITY IDENTIFICATION CHARACTERS ON FRONT AND REAR FACE.
- 2 NYLON, UL 94V-0 RATED, BLACK.
- 3 CONTACT BODY: 0.76um[.000030] MIN GOLD FOR LENGTH OF 5.08[.200] MIN FROM MATING END, WITH REMAINDER TO BE GOLD FLASH, BOTH OVER 1.27um[.000050] MIN NICKEL. CONTACT POST: 2.54um[.000100] MIN TIN-LEAD OVER 2.54um[.000100] MIN COPPER.
- 4 CONTACT BODY: 2.54um[.000100] MIN TIN-LEAD OVER 1.27um[.000050] MIN NICKEL. CONTACT POST: 2.54um[.000100] MIN TIN-LEAD OVER 2.54um[.000100] MIN COPPER.
- 5 CONTACT BODY: 0.76um[.000030] MIN GOLD FOR LENGTH OF 5.08[.200] MIN FROM MATING END, WITH REMAINDER TO BE GOLD FLASH, BOTH OVER 1.27um[.000050] MIN NICKEL. CONTACT POST: 2.54um[.000100] MIN TIN OVER 2.54um[.000100] MIN COPPER.
- 6 CONTACT BODY: 2.54um[.000100] MIN TIN OVER 1.27um[.000050] MIN NICKEL. CONTACT POST: 2.54um[.000100] MIN TIN OVER 2.54um[.000100] MIN COPPER.
- 7 PRELIMINARY PART NUMBER.
- 8 OBSOLETE PARTS: OBSOLETE CIS STREAMLINING PER D.RENAUD/D.SINISI

7	11.35[.447]	4-40 UNC, INSERT, BRASS	5	1-213729-1
	14.22[.560]	4-40 UNC, INSERT, BRASS	5	1-213729-0
	9.35[.368]	3.81±0.08[.150±.003] DIA	5	213729-9
8 OBSOLETE	4.04[.159]	4-40UNC, INSERT, BRASS	6	213729-8
8 OBSOLETE	9.35[.368]	3.81±0.08[.150±.003] DIA	6	213729-7
	9.35[.368]	4-40UNC, INSERT, BRASS	5	213729-6
	4.04[.159]	3.81±0.08[.150±.003] DIA	4	213729-5
8 OBSOLETE	4.04[.159]	4-40UNC, INSERT, BRASS	4	213729-4
8 OBSOLETE	9.35[.368]	3.81±0.08[.150±.003] DIA	4	213729-3
	9.35[.368]	4-40UNC, INSERT, BRASS	3	213729-2
	9.35[.368]	3.81±0.08[.150±.003] DIA	3	213729-1
	C	A	CONTACT FINISH	PART NUMBER

THIS DRAWING IS A CONTROLLED DOCUMENT. W.G.LENKER 12-3-91, R.STONE 12-11-91. **STE** TE Connectivity

DIMENSIONS: mm [INCHES]	TOLERANCES UNLESS OTHERWISE SPECIFIED:	PRODUCT SPEC	NAME
0 PLC ± -	1 PLC ± -	108-10024	RECEPTACLE ASSEMBLY, POSTED, SERIES 1, REVERSE SEX, CPC
2 PLC ± ± 0.25[.010]	3 PLC ± ± -	APPLICATION SPEC	
4 PLC ± ± -	ANGLES ± ± -	114-10004	
MATERIAL RECEPTACLE: 2 CONTACT: BRASS	FINISH -	WEIGHT -	SIZE CAGE CODE DRAWING NO RESTRICTED TO
		A1 00779 C=213729	SCALE 2:1 SHEET 1 OF 1 REV G3