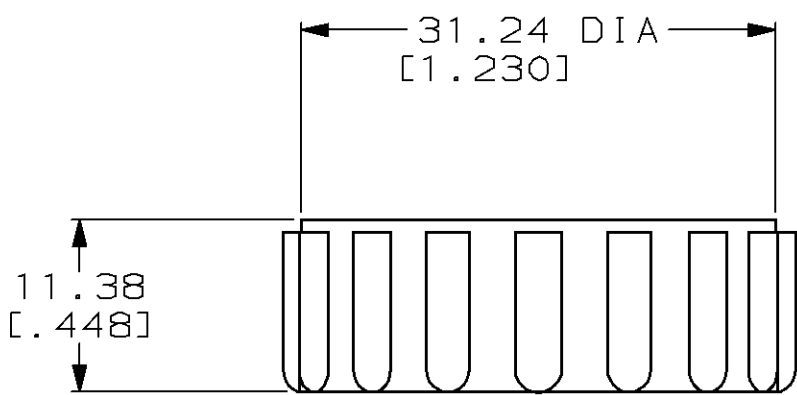
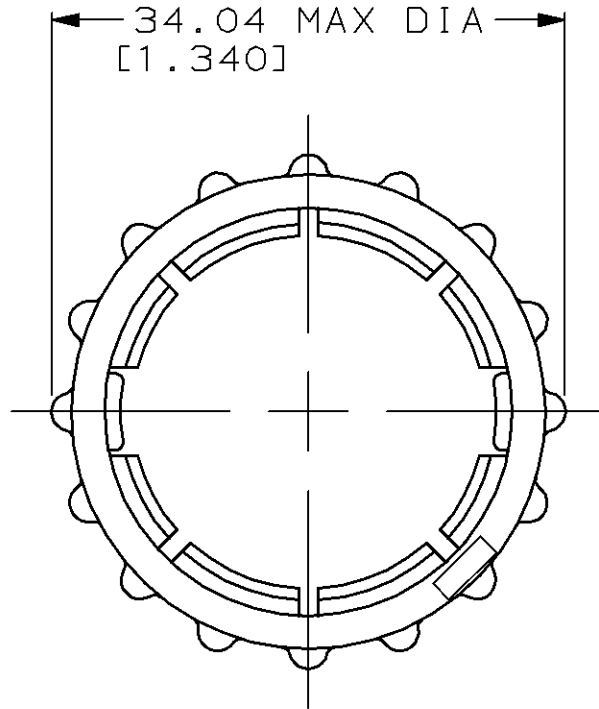


LOC	DIST	REVISIONS					
FT	4	P	LTR	DESCRIPTION	DATE	DWN	APVD
			0	REV PER EC 0320-368-97	06/20/95	-	-
			A	REV PER EC 0320-244-97	06 OCT 97	BC	KD
			B	REV PER EC 0320-368-97	31 OCT 97	CO	KD



213810-1
PART NUMBER

THIS DRAWING IS UNPUBLISHED.
 BY AMP INCORPORATED. ALL RIGHTS RESERVED.
 COPYRIGHT 19

DIMENSIONS: mm [INCHES]	DWN	06/20/95	MATERIAL	POLYESTER, BLACK	FINISH	-
	CHK	R.STONE	06/21/95	AMP AMP Incorporated Harrisburg, PA 17105-3608		
TOLERANCES UNLESS OTHERWISE SPECIFIED:	APVD	R.BYERS	06/21/95			
0 PLC ±-	PRODUCT SPEC	NAME COUPLING RING, SIZE 17, CPC				
1 PLC ±-	APPLICATION SPEC					
2 PLC ±0.25 [.010]	WEIGHT	-	SIZE	A4	CAGE CODE	00779
3 PLC ±-		CUSTOMER DRAWING	DRAWING NO	C-213810		
4 PLC ±-			SCALE	2:1	SHEET	1 OF 1
ANGLES ±-						