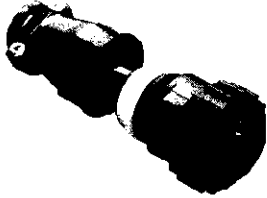


Sealed Circular Plastic Connectors Series 5

CPC Connectors, Series 5 Sealed - Reverse Sex



Listed part numbers are for connectors only, contacts must be ordered separately.

Material:

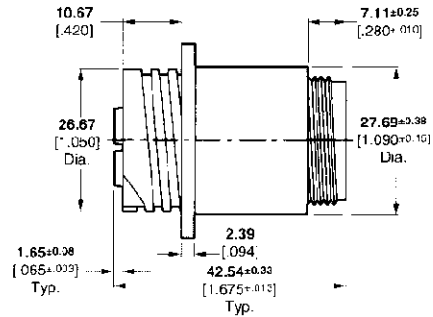
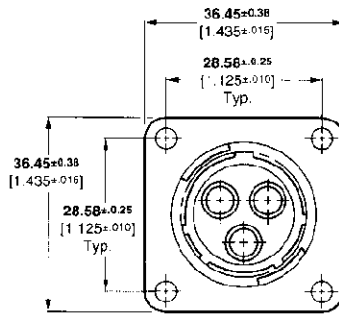
Housing—Nylcn, glass-filled UL rated 94V-0, black

Related Product Data:

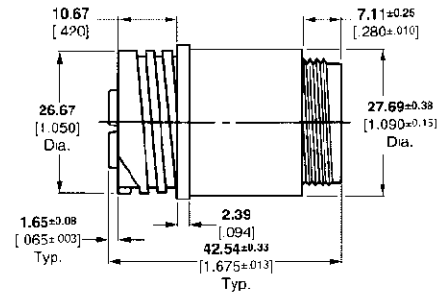
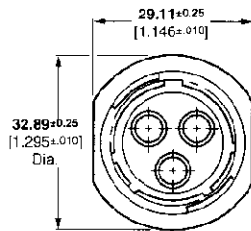
Contacts—Page 44

Application Tooling—Pages 69-75

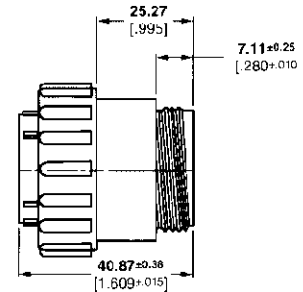
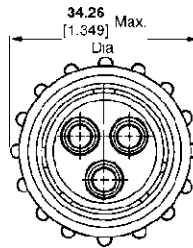
Square Flange Receptacle (Uses Flange Seal Part No. 81665-2)



Free-Hanging Receptacle



Plug (With Full Interfacial Seal)



Wire Entry Seals*

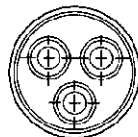
*Cable clamp kit 213902-1 required. (Similar to 206322-1. See page 46 for dimensional detail of cable clamp) or cable clamp kit 213904-1. (Similar to 206070-1. See page 46 for dimensional detail of cable clamp)

Arrangement	Square Flange Receptacle	Free-Hanging Receptacle	Plug
17-3 - Connector	213889-2	213890-2	213905-1
17-3 - Wire Entry Seal Kit	213899-1	213899-1	213899-1
23-7 Connector	—	—	—

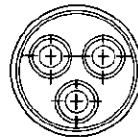
Kit includes (1) Silcon Wire Entry Seal and (1) Pressure Plate.
*Wire entry seals require cable clamp kits.

Replacement Coupling Rings

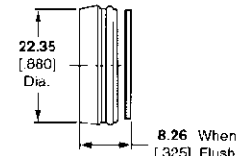
17-3	213810-1
------	----------



Rear View
Receptacles



Rear View
Plugs



Side View
Plugs/Receptacles

Note: Minimum insulation diameter is 3.96 [.156]; Maximum insulation diameter is 6.60 [.260].