

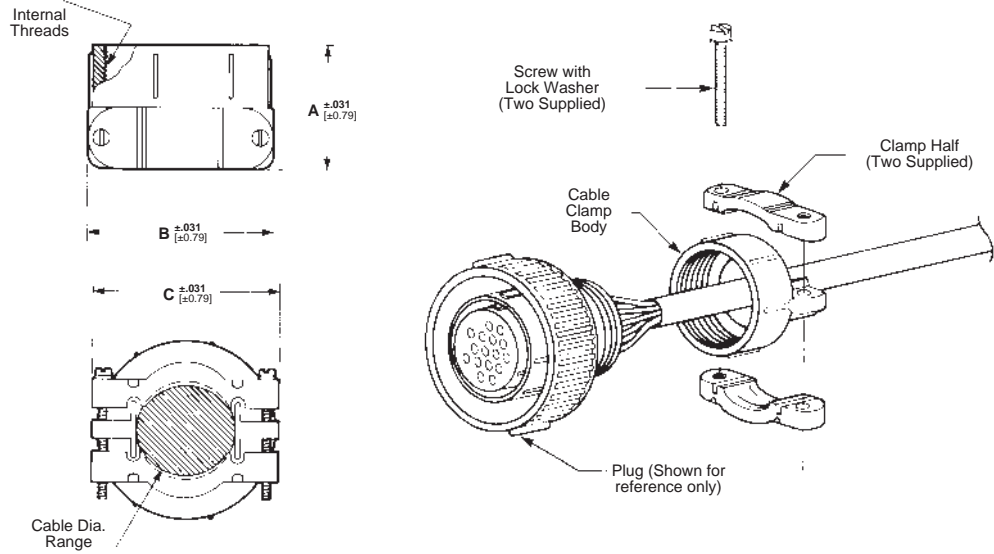
Metal-Shell CPC Connector Accessories

Cable Clamps

Material and Finish

Body and Clamp Halves—Zinc alloy, nickel plated

Screws and Washers—Stainless steel



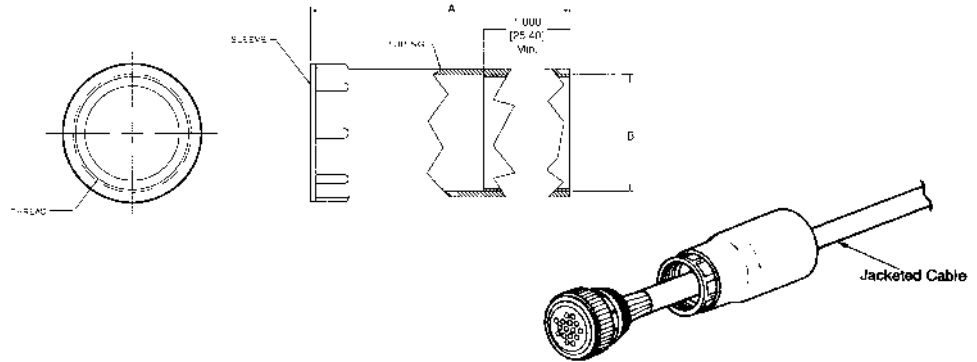
Shell Size	Dimensions			Cable O.D. Range	Thread Size	Part No.
	A	B	C			
14	.938	1.175	1.165	.225-.562 5.71-14.27	7/8-20 UNEF-3B	208945-5
	23.83	29.85	29.59			
22	.938	1.432	1.469	.325-.750 8.26-19.05	1-3/16-18 UNEF-3B	208945-7
	23.83	36.37	37.31			
28	1.031	1.593	1.688	.450-.938 11.43-23.83	1-7/16-18 UNEF-3B	208945-8
	26.19	40.46	42.88			

Notes: 1. For Shell Size 22 Receptacle use plastic cable clamp Size 17 (See page 37), for Shell Size 28 Receptacle use plastic cable clamp Size 23 (See pages 37-38). Use Size 14 metal cable clamp for both plug and receptacle Size 14 connectors.
2. Metal cable clamps (Sizes 22 and 28) are for use with Metal-Shell CPC plugs ONLY.

Cable Entry Seals

Heat Shrinkable Sealing Boots

Cable entry seals are used with jacketed cable to provide an environmentally sealed wire-to-connector system. They can be used with either plugs or receptacles.



Thick Wall Boots

Material

Internal Sleeve—Nylon

Outer Tubing—Polyolefin, black

Shell Size	Dimensions		Expanded Wall Thickness	Sealing Range (Dia.)	Max. Recovered Inside Dia.	Part No.
	A	B				
22	3.000	1.250	.070	.550 - 1.250	.500	54012-5
28	76.20	31.75	1.78	13.97 - 31.75	12.70	54012-6

Protective Cap Assemblies (for Metal-Shell CPC Receptacles Only)

Material and Finish

Zinc alloy, nickel plated

Shell Size	Dimensions		Part No.
	A	B	
14	1.225	.515	213823-2
22	1.750	.635	211903-1
28	2.170	.635	211904-1

