



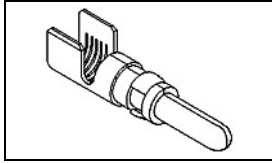
Have a Question?
Chat with a Product Information Specialist

What can we help you find?

[Products](#) [Industries](#) [Resources](#) [About TE](#) [My Account](#) [Innovation](#) [Support Center](#)

213841-4 Product Details

[Share](#) [Print](#) [Email](#)



213841-4

TE Internal Number: 213841-4

Active

[View 3D PDF](#)

Multimate

Always EU RoHS/ELV Compliant (Statement of Compliance)

Product Highlights:

- Contact Type = Pin
- Contact Classification = Power
- .125 POWERBAND Contact Series
- Gold (30) Contact Plating, Mating Area, Material
- Wire Range = 5.00-8.00² [10 - 8] mm [AWG]

[View all Features](#)

Quick Links

- ▶ [Pricing & Availability](#)
- ▶ [Search for Tooling](#)
- ▶ [Product Feature Selector](#)
- ▶ [Contact Us About This Product](#)

[Add to My Part List](#) [Request Sample](#) [Find Similar Products](#) [Buy Product](#)

Documentation & Additional Information

Product Drawings:

- [PIN CONTACT ASSEMBLY 8-10 AWG, POWERBAND, METRIMATE](#) (PDF, English)

Catalog Pages/Data Sheets:

- [Power Contacts](#) (PDF, English)
- [AMP Circular Connectors for Commercial Signal & Powe...](#) (PDF, English)
- [METRIMATE_PIN_SOCKET_CATALOG](#) (PDF, English)

Product Specifications:

- [Connector, Metrimate Power Drawer With Powerband Con...](#) (PDF, English)

Application Specifications:

- [3.18-mm \[.125-in.\] POWERBAND Contacts](#) (PDF, English)

Instruction Sheets:

- None Available

CAD Files: [\(CAD Format & Compression Information\)](#)

- [2D Drawing](#) (DXF, Version B)
- [3D Model](#) (IGES, Version B)
- [3D Model](#) (STEP, Version B)

[List all Documents](#)

Additional Information:

- [Product Line Information](#)

Related Products:

- [Tooling](#)

Product Features (Please use the Product Drawing for all design activity)

Product Type Features:

- Series = .125 POWERBAND Contact
- [Insulation Support](#) = Yes
- [Termination Method to Wire/Cable](#) = Crimp
- Retention Clip = With
- Grade = Commercial

Electrical Characteristics:

- High Current = No

Termination Features:

- [Termination End Plating](#) = Gold Flash

Dimensions:

- Pin Diameter (mm [in]) = 3.18 [0.125]

Body Features:

- [Wire Range \(mm \[AWG\]\)](#) = 5.00-8.00² [10 - 8]
- Retention Clip Material = Phosphor-Bronze
- Retention Clip Plating = Nickel

Contact Features:

- Contact Type = Pin
- Contact Classification = Power
- [Contact Plating, Mating Area, Material](#) = Gold (30)
- [Contact Base Material](#) = Copper
- [Contact Size](#) = 8

Industry Standards:

- [RoHS/ELV Compliance](#) = RoHS compliant, ELV compliant
- [Lead Free Solder Processes](#) = Not relevant for lead free process
- [RoHS/ELV Compliance History](#) = Always was RoHS compliant

Conditions for Usage:

- [Applies To](#) = Wire/Cable
- Test Current (A) = 50.0

Packaging Features:

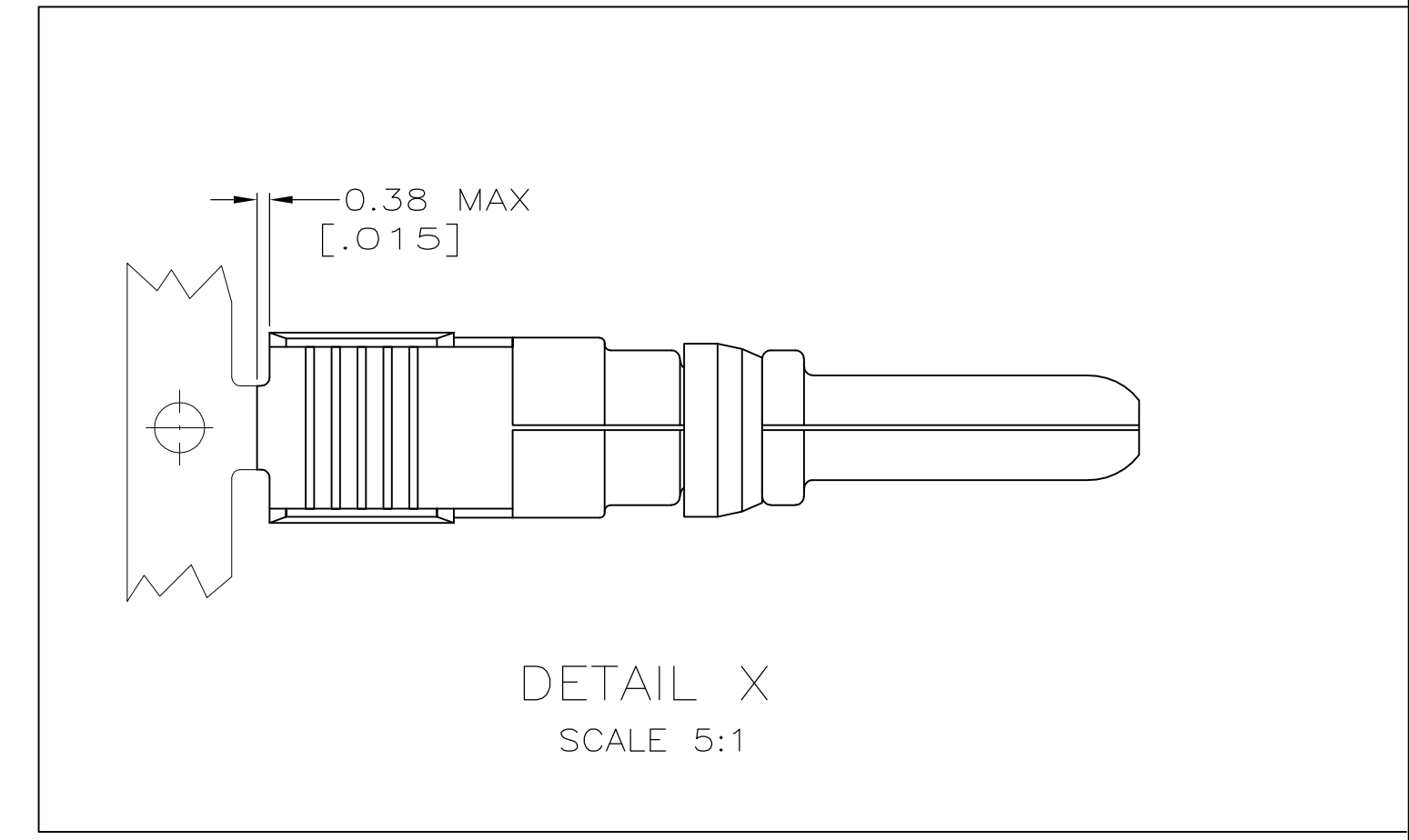
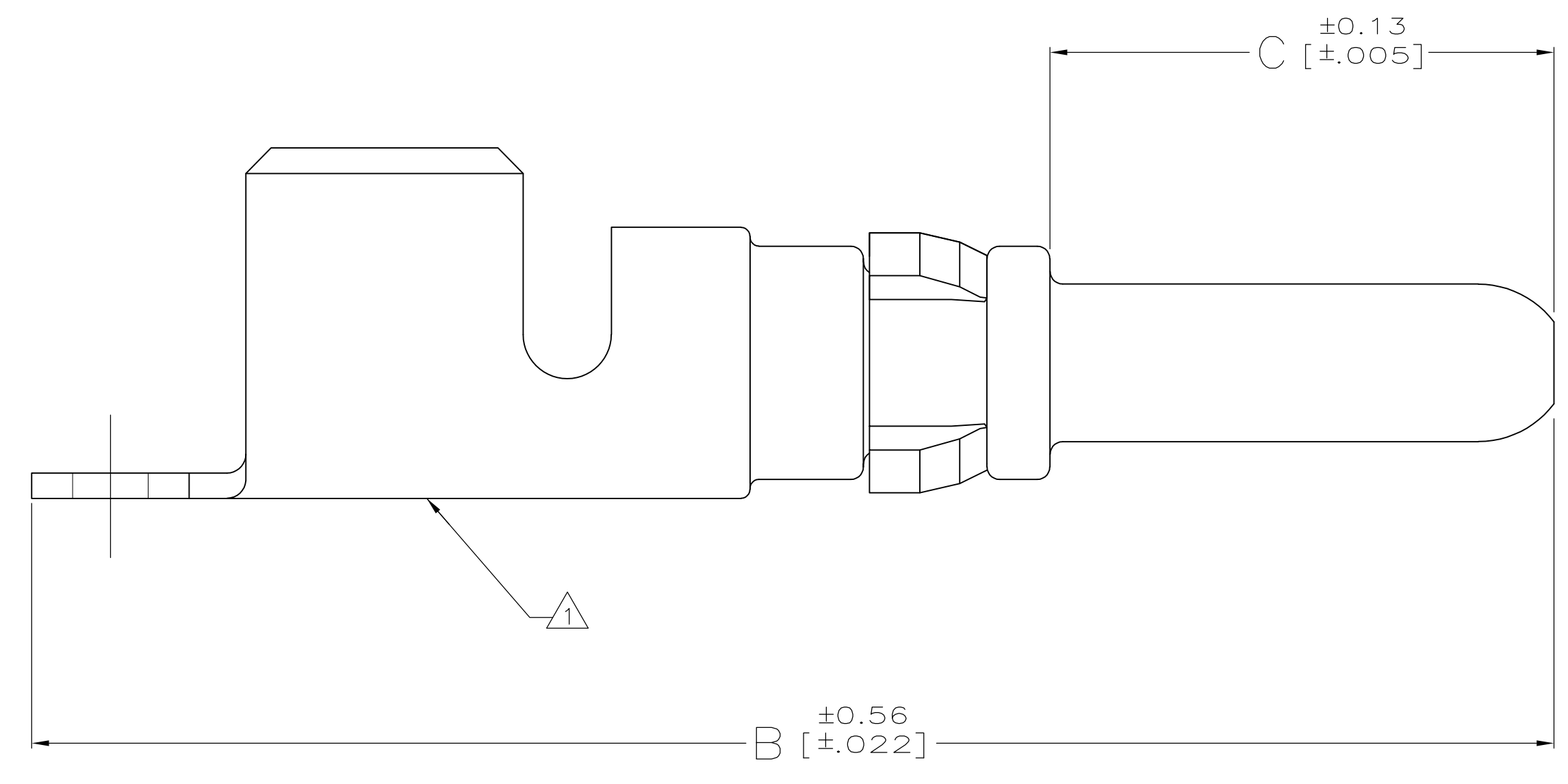
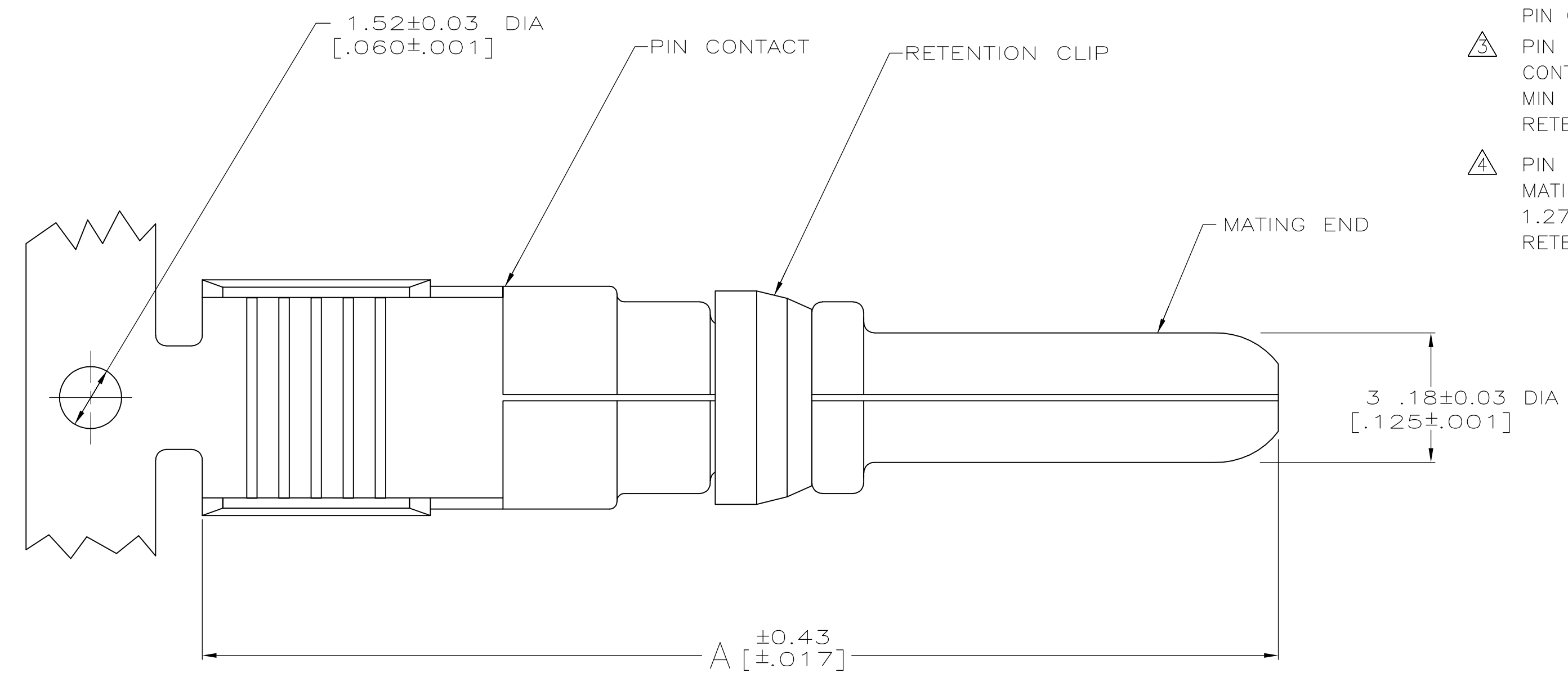
- [Packaging Method](#) = Loose Piece

Other:

- Brand = AMP

LOC	DIST	REVISIONS			
P	LTR	DESCRIPTION	DATE	OWN	APPD
B1		REVISED PER ECO-11-005027	11MAR11	RK	HMR

- ⚠ WIRE SIZE AND AMP LOGO APPEAR ON OUTSIDE OF WIRE BARREL.
- ⚠ RETENTION CLIP: PHOSPHOR BRONZE PER QQ-B-750.
PIN CONTACT: COPPER PER QQ-C-576.
- ⚠ PIN CONTACT: 0.76 μ m [.000030] MIN GOLD PER MIL-G-45204 ON CONTACT MATING END, GOLD FLASH ON REMAINDER, ALL OVER 1.27 μ m [.000050] MIN NICKEL PER QQ-N-390.
RETENTION CLIP: 2.54 μ m [.000100] MIN NICKEL PER QQ-N-290.
- ⚠ PIN CONTACT: 5.08 μ m [.000200] MIN SILVER PER QQ-S-365 ON CONTACT MATING END, 1.27 μ m [.000050] MIN SILVER ON REMAINDER, ALL OVER 1.27 μ m [.000050] MIN NICKEL PER QQ-N-290.
RETENTION CLIP: 2.54 μ m [.000100] MIN NICKEL PER QQ-N-290.



3	12.32 [.485]	-	28.52 [1.123]	DETAIL X	213841-8
4	12.32 [.485]	-	28.52 [1.123]	DETAIL X	213841-7
3	12.32 [.485]	32.84 [1.293]	28.52 [1.123]	-	213841-6
4	12.32 [.485]	32.84 [1.293]	28.52 [1.123]	-	213841-5
3	10.16 [.400]	-	26.37 [1.038]	DETAIL X	213841-4
4	10.16 [.400]	-	26.37 [1.038]	DETAIL X	213841-3
3	10.16 [.400]	30.68 [1.208]	26.37 [1.038]	-	213841-2
4	10.16 [.400]	30.68 [1.208]	26.37 [1.038]	-	213841-1
FINISH	C	B	A	LOOSE PIECE	PART NUMBER

THIS DRAWING IS A CONTROLLED DOCUMENT.

DIMENSIONS: mm(INCHES)	TOLERANCES UNLESS OTHERWISE SPECIFIED: 0 PLC ± - 2 PLC ± - 3 PLC ± - 4 PLC ± - ANGLES ± -	DWG: C. OBERMAN 21 MAR 96 CHK: R. STONE 25 MAR 96 APVD: G. STEINHAUER 26 MAR 96 NAME:	STE TE Connectivity
MATERIAL: ⚠	FINISH: SEE TABLE	PRODUCT SPEC: APPLICATION SPEC: WEIGHT: -	PIN CONTACT ASSEMBLY 8-10 AWG, POWERBAND, METRIMATE
CUSTOMER DRAWING		SIZE: A1 CAGE CODE: 00779 DRAWING NO: 213841	RESTRICTED TO: - SCALE: 10:1 SHEET: 1 OF 1 REV: B1