



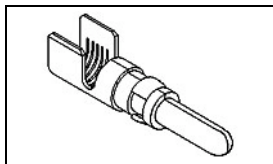
Have a Question?
Chat with a Product Information Specialist

What can we help you find?

[Products](#) [Industries](#) [Resources](#) [About TE](#) [My Account](#) [Innovation](#) [Support Center](#)

213845-3 Product Details

[Share](#) [Print](#) [Email](#)



213845-3

TE Internal Number: 213845-3

Active

[View 3D PDF](#)

Multimate

Always EU RoHS/ELV Compliant (Statement of Compliance)

Product Highlights:

- Contact Type = Pin
- Contact Classification = Power
- .125 POWERBAND Contact Series
- Silver Contact Plating, Mating Area, Material
- Wire Range = 2.00-3.00² [14-12] mm [AWG]

[View all Features](#)

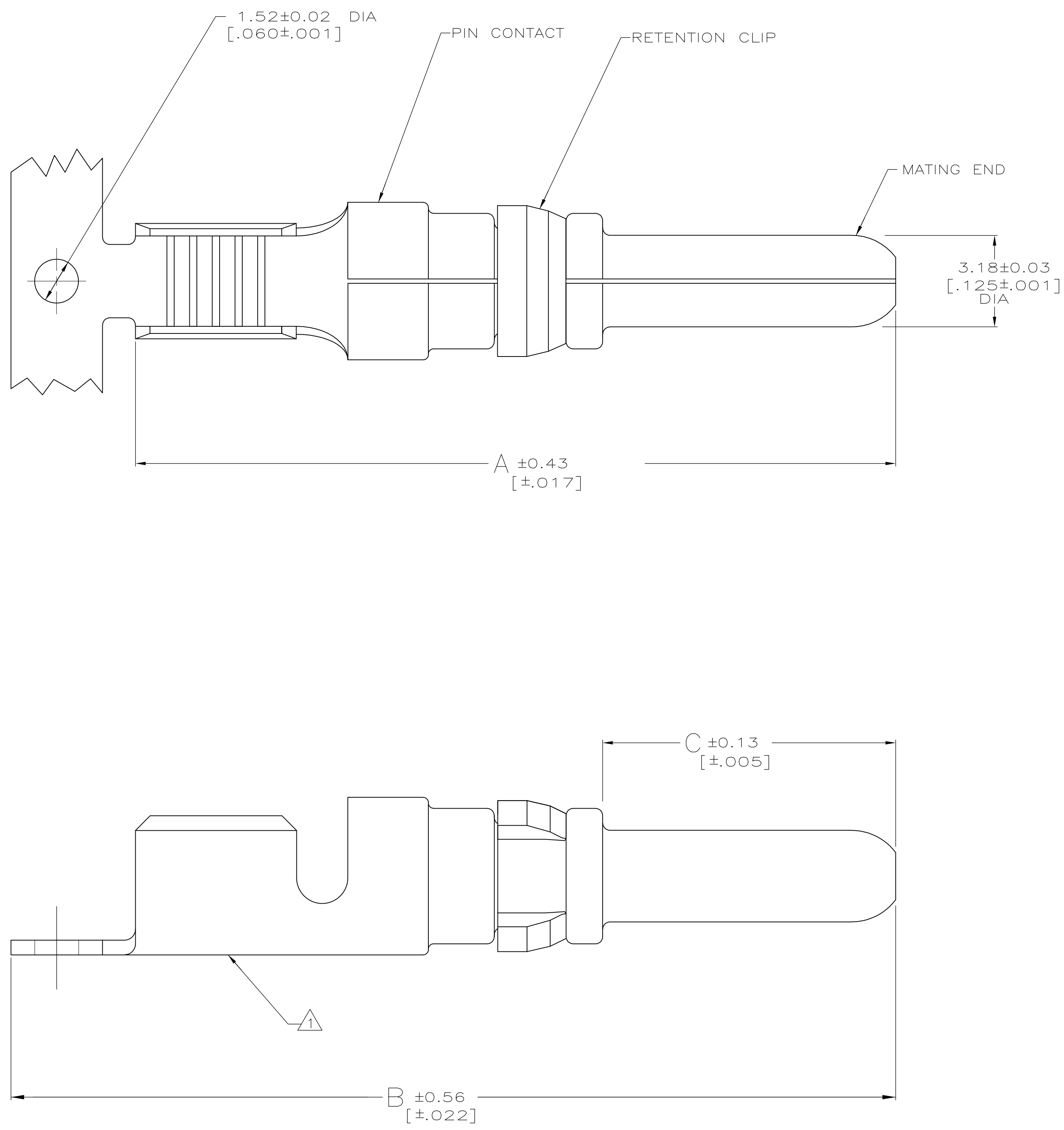
Quick Links

- ▶ [Pricing & Availability](#)
- ▶ [Search for Tooling](#)
- ▶ [Product Feature Selector](#)
- ▶ [Contact Us About This Product](#)

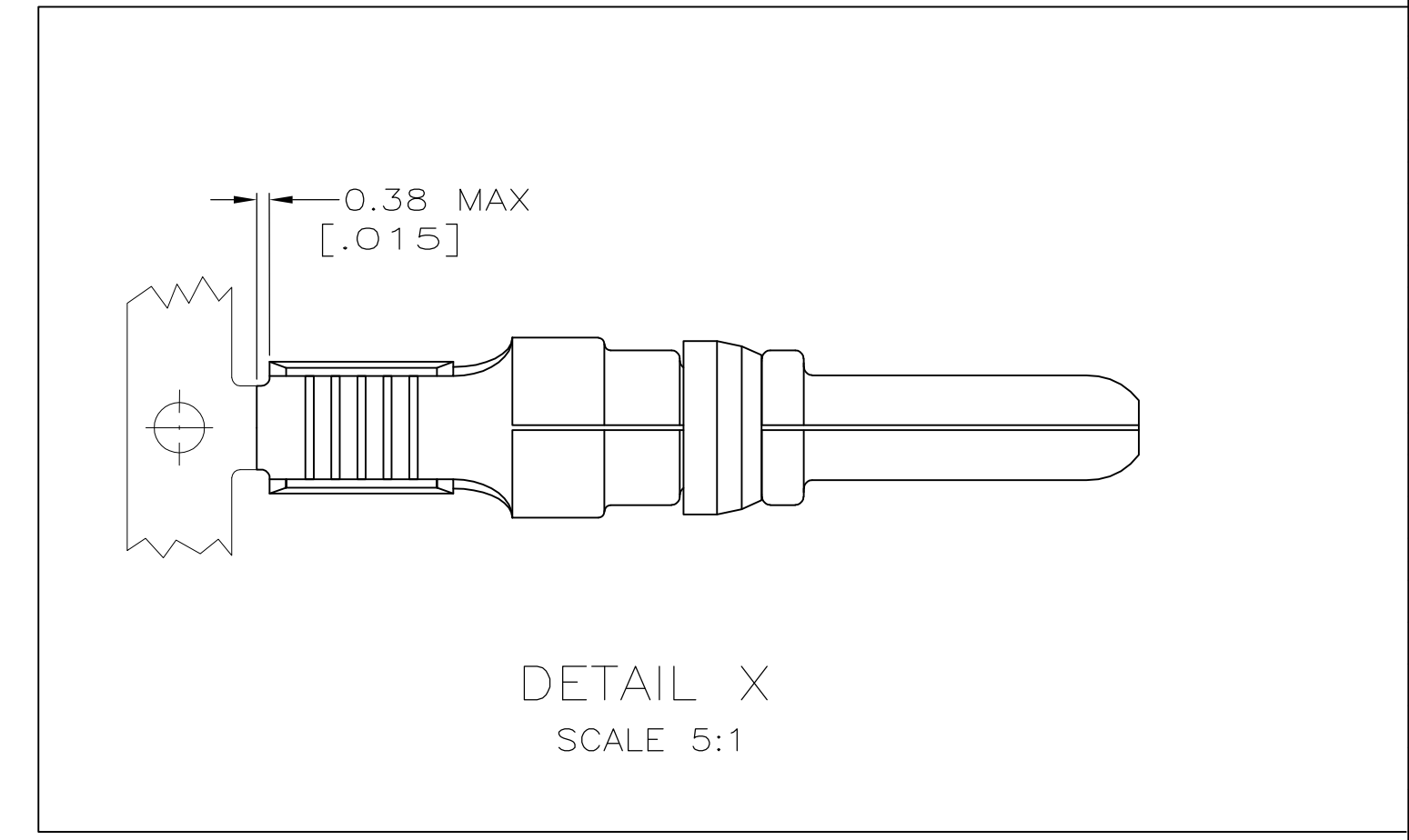
[Add to My Part List](#) [Request Sample](#) [Find Similar Products](#) [Buy Product](#)

Documentation & Additional Information	
<p>Product Drawings:</p> <ul style="list-style-type: none"> • PIN CONTACT ASSEMBLY 14-12 AWG, .125 POWERBAND (PDF, English) <p>Catalog Pages/Data Sheets:</p> <ul style="list-style-type: none"> • Power Contacts (PDF, English) • AMP Circular Connectors for Commercial Signal & Powe... (PDF, English) • METRIMATE_PIN_SOCKET_CATALOG (PDF, English) <p>Product Specifications:</p> <ul style="list-style-type: none"> • None Available <p>Application Specifications:</p> <ul style="list-style-type: none"> • 3.18-mm [.125-in.] POWERBAND Contacts (PDF, English) <p>Instruction Sheets:</p> <ul style="list-style-type: none"> • None Available <p>CAD Files: (CAD Format & Compression Information)</p> <ul style="list-style-type: none"> • 2D Drawing (DXF, Version B) • 3D Model (IGES, Version B) • 3D Model (STEP, Version B) <p style="text-align: right;">List all Documents</p>	<p>Additional Information:</p> <ul style="list-style-type: none"> • Product Line Information <p>Related Products:</p> <ul style="list-style-type: none"> • Tooling

Product Features (Please use the Product Drawing for all design activity)	
<p>Product Type Features:</p> <ul style="list-style-type: none"> • Series = .125 POWERBAND Contact • Insulation Support = Yes • Termination Method to Wire/Cable = Crimp • Retention Clip = With • Grade = Commercial <p>Electrical Characteristics:</p> <ul style="list-style-type: none"> • High Current = No <p>Termination Features:</p> <ul style="list-style-type: none"> • Termination End Plating = Silver <p>Dimensions:</p> <ul style="list-style-type: none"> • Pin Diameter (mm [in]) = 3.18 [0.125] <p>Body Features:</p> <ul style="list-style-type: none"> • Wire Range (mm [AWG]) = 2.00-3.00² [14-12] • Retention Clip Material = Phosphor-Bronze • Retention Clip Plating = Nickel • Used With = CPC Connectors 	<p>Contact Features:</p> <ul style="list-style-type: none"> • Contact Type = Pin • Contact Classification = Power • Contact Plating, Mating Area, Material = Silver • Contact Base Material = Copper • Contact Size = 8 <p>Industry Standards:</p> <ul style="list-style-type: none"> • RoHS/ELV Compliance = RoHS compliant, ELV compliant • Lead Free Solder Processes = Not relevant for lead free process • RoHS/ELV Compliance History = Always was RoHS compliant <p>Conditions for Usage:</p> <ul style="list-style-type: none"> • Applies To = Wire/Cable • Test Current (A) = 50.0 <p>Packaging Features:</p> <ul style="list-style-type: none"> • Packaging Method = Loose Piece <p>Other:</p> <ul style="list-style-type: none"> • Brand = AMP



- ⚠ WIRE SIZE AND LOGO APPEAR ON OUTSIDE OF WIRE BARREL.
- ⚠ RETENTION CLIP: PHOSPHOR BRONZE PER QQ-B-750.
PIN CONTACT: COPPER PER QQ-C-576.
- ⚠ PIN CONTACT: 0.76μm [.000030] MIN GOLD PER MIL-G-45204 ON CONTACT MATING END, GOLD FLASH ON REMAINDER, ALL OVER 1.27μm [.000050] MIN NICKEL PER QQ-N-390.
RETENTION CLIP: 2.54μm [.000100] MIN NICKEL PER QQ-N-290.
- ⚠ PIN CONTACT: 5.08μm [.000200] MIN SILVER PER QQ-S-365 ON CONTACT MATING END, 1.27μm [.000050] MIN SILVER ON REMAINDER, ALL OVER 1.27μm [.000050] MIN NICKEL PER QQ-N-290.
RETENTION CLIP: 2.54μm [.000100] MIN NICKEL PER QQ-N-290.



3	12.32 [.485]	-	28.52 [1.123]	DETAIL X	213845-8
4	12.32 [.485]	-	28.52 [1.123]	DETAIL X	213845-7
3	12.32 [.485]	32.84 [1.293]	28.52 [1.123]	-	213845-6
4	12.32 [.485]	32.84 [1.293]	28.52 [1.123]	-	213845-5
3	10.16 [.400]	-	26.37 [1.038]	DETAIL X	213845-4
4	10.16 [.400]	-	26.37 [1.038]	DETAIL X	213845-3
3	10.16 [.400]	30.68 [1.208]	26.37 [1.038]	-	213845-2
4	10.16 [.400]	30.68 [1.208]	26.37 [1.038]	-	213845-1
FINISH	C	B	A	LOOSE PIECE	PART NUMBER

THIS DRAWING IS A CONTROLLED DOCUMENT.

DWN: W.G. LENKER 30 JUL 96
CHK: R. STONE 05 AUG 96

APVD: G. STEINHAUER 06 AUG 96

NAME: PIN CONTACT ASSEMBLY
14-12 AWG, .125
POWERBAND

SIZE: A1
CAGE CODE: 00779
DRAWING NO: 213845

SCALE: 10:1
SHEET: 1 OF 1
REV: B1

STE TE Connectivity