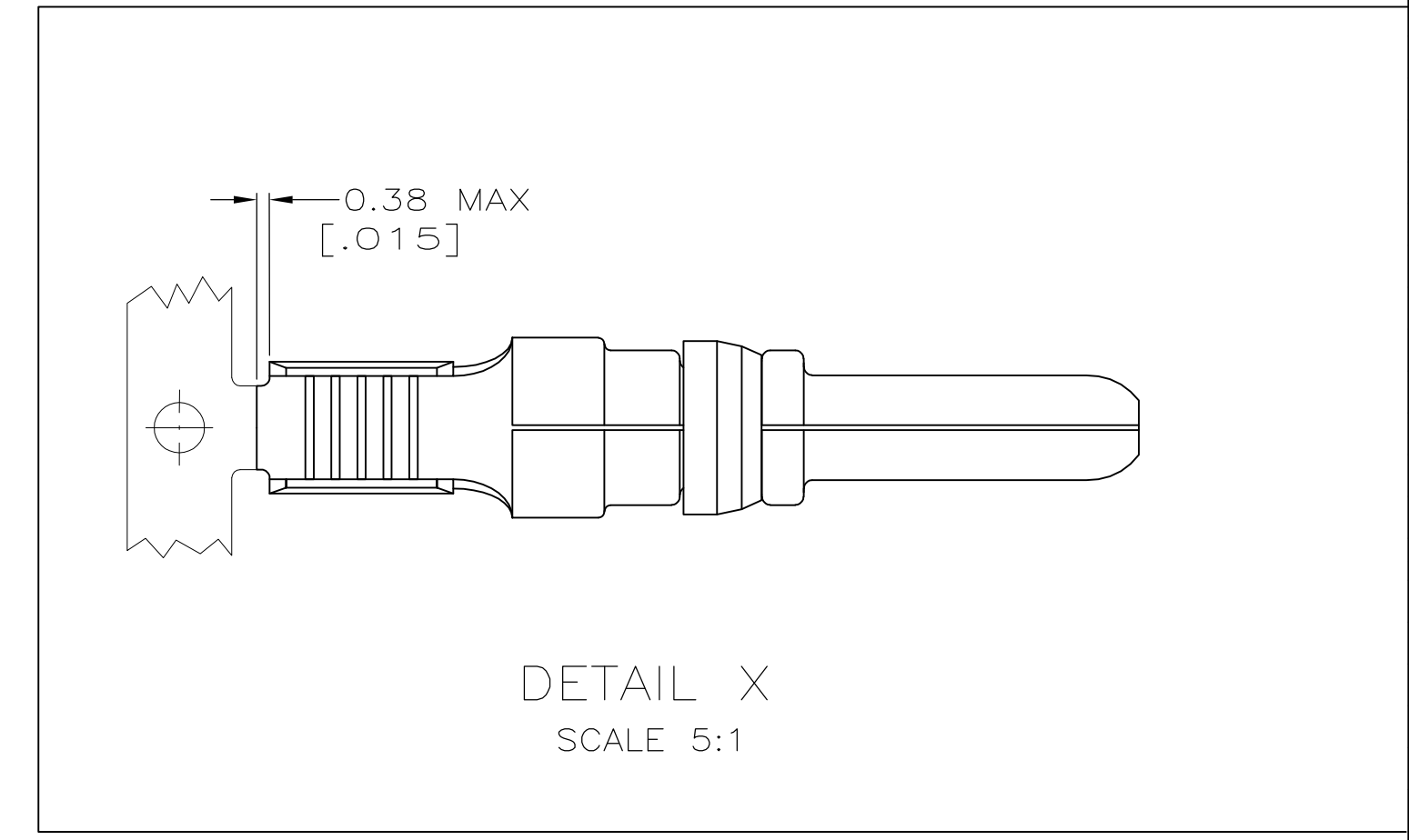


- ⚠ WIRE SIZE AND LOGO APPEAR ON OUTSIDE OF WIRE BARREL.
- ⚠ RETENTION CLIP: PHOSPHOR BRONZE PER QQ-B-750.  
PIN CONTACT: COPPER PER QQ-C-576.
- ⚠ PIN CONTACT: 0.76μm [.000030] MIN GOLD PER MIL-G-45204 ON CONTACT MATING END, GOLD FLASH ON REMAINDER, ALL OVER 1.27μm [.000050] MIN NICKEL PER QQ-N-390.  
RETENTION CLIP: 2.54μm [.000100] MIN NICKEL PER QQ-N-290.
- ⚠ PIN CONTACT: 5.08μm [.000200] MIN SILVER PER QQ-S-365 ON CONTACT MATING END, 1.27μm [.000050] MIN SILVER ON REMAINDER, ALL OVER 1.27μm [.000050] MIN NICKEL PER QQ-N-290.  
RETENTION CLIP: 2.54μm [.000100] MIN NICKEL PER QQ-N-290.



3	12.32 [.485]	-	28.52 [1.123]	DETAIL X	213845-8
4	12.32 [.485]	-	28.52 [1.123]	DETAIL X	213845-7
3	12.32 [.485]	32.84 [1.293]	28.52 [1.123]	-	213845-6
4	12.32 [.485]	32.84 [1.293]	28.52 [1.123]	-	213845-5
3	10.16 [.400]	-	26.37 [1.038]	DETAIL X	213845-4
4	10.16 [.400]	-	26.37 [1.038]	DETAIL X	213845-3
3	10.16 [.400]	30.68 [1.208]	26.37 [1.038]	-	213845-2
4	10.16 [.400]	30.68 [1.208]	26.37 [1.038]	-	213845-1
FINISH	C	B	A	LOOSE PIECE	PART NUMBER

THIS DRAWING IS A CONTROLLED DOCUMENT.

DWN: W.G. LENKER 30 JUL 96  
CHK: R. STONE 05 AUG 96

APVD: G. STEINHAUER 06 AUG 96

NAME: PIN CONTACT ASSEMBLY  
14-12 AWG, .125  
POWERBAND

SIZE: A1  
CAGE CODE: 00779  
DRAWING NO: 213845

SCALE: 10:1  
SHEET: 1 OF 1  
REV: B1

STE TE Connectivity