

Distributed by:

JAMECO[®]
ELECTRONICS

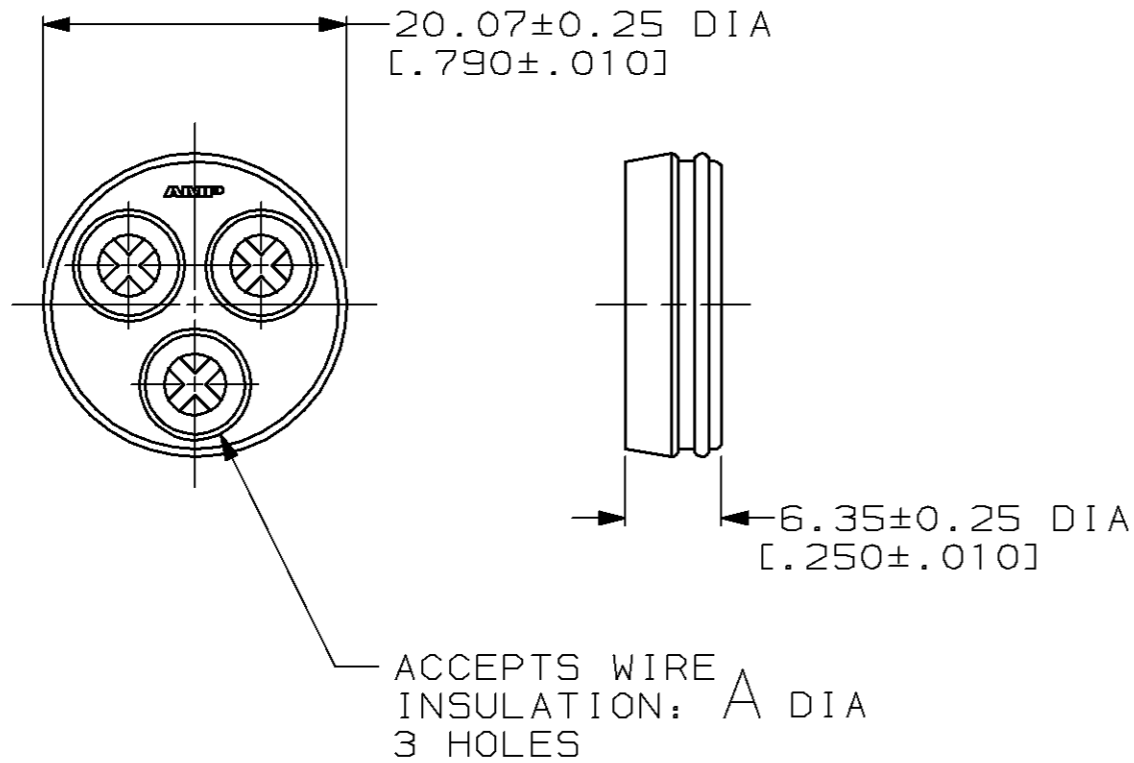
www.Jameco.com ♦ 1-800-831-4242

The content and copyrights of the attached
material are the property of its owner.

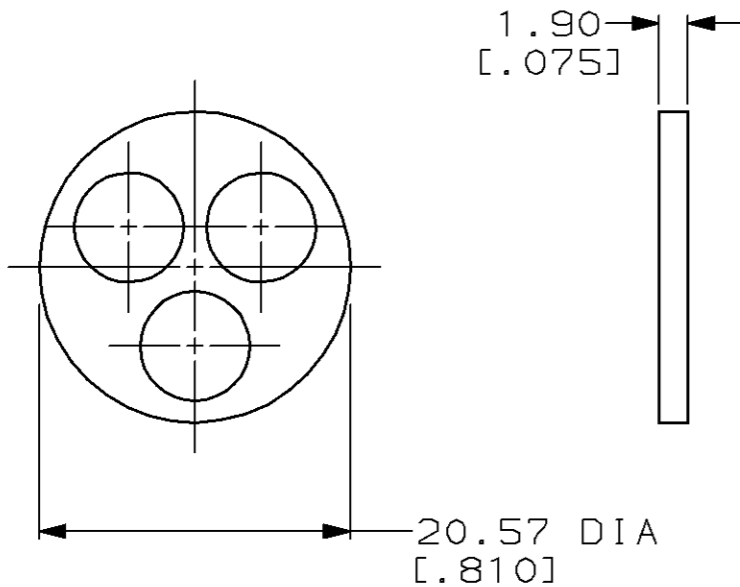
Jameco Part Number 750426

THIS DRAWING IS UNPUBLISHED. RELEASED FOR PUBLICATION, 19 .
 © COPYRIGHT 19 BY AMP INCORPORATED. ALL RIGHTS RESERVED.

LOC	DIST	REVISIONS			
P	LTR	DESCRIPTION	DATE	DWN	APVD
	0	RLSE -1 THRU -4 PER NPR 5375, WAS 95-7970-27	07/12/95	-	-
	A	OBSOLETE -3, -4 AND REVISED PER EC 0020-900-95	15 SEP 95	DH	AF
	B	REV PER EC 0320-144-97	05 MAY 97	CO	AF
	C	ADDED -5 PER EC 0320-152-97	08 MAY 97	CO	AF



SEAL MATERIAL: SILICON, RED IRON OXIDE
QTY=1



PRESSURE PLATE MATERIAL: NYLON, BLACK
QTY=1

	INDIVIDUAL	2.41-5.21 [.095-.205]	213899-5
OBSOLETE	-	-	213899-4
OBSOLETE	-	-	213899-3
	BULK	3.81-6.73 [.150-.265]	213899-2
	INDIVIDUAL	3.81-6.73 [.150-.265]	213899-1
	PACKAGING	A	PART NUMBER

THIS DRAWING IS A CONTROLLED DOCUMENT FOR AMP INCORPORATED. IT IS SUBJECT TO CHANGE AND THE CONTROLLING ENGINEERING ORGANIZATION SHOULD BE CONTACTED FOR THE LATEST REVISION.		DWN D. HARDY 07/12/95	AMP Incorporated Harrisburg, PA 17105-3608											
DIMENSIONS: mm [INCHES]		CHK R. STONE 07/13/95												
TOLERANCES UNLESS OTHERWISE SPECIFIED:		APVD A. FRANTUM 07/13/95												
<table border="1"> <tr><td>0 PLC</td><td>±-</td></tr> <tr><td>1 PLC</td><td>±-</td></tr> <tr><td>2 PLC</td><td>±0.13 [.005]</td></tr> <tr><td>3 PLC</td><td>±-</td></tr> <tr><td>4 PLC</td><td>±-</td></tr> <tr><td>ANGLES</td><td>±-</td></tr> </table>		0 PLC		±-	1 PLC	±-	2 PLC	±0.13 [.005]	3 PLC	±-	4 PLC	±-	ANGLES	±-
0 PLC	±-													
1 PLC	±-													
2 PLC	±0.13 [.005]													
3 PLC	±-													
4 PLC	±-													
ANGLES	±-													
MATERIAL SEE CALLOUTS		FINISH -	PRODUCT SPEC 108-1579											
		WEIGHT -	APPLICATION SPEC -											
		CUSTOMER DRAWING	<table border="1"> <tr> <td>SIZE A3</td> <td>CAGE CODE 00779</td> <td>DRAWING NO C-213899</td> </tr> <tr> <td>SCALE 2:1</td> <td>SHEET 1 OF 1</td> <td>REV C</td> </tr> </table>	SIZE A3	CAGE CODE 00779	DRAWING NO C-213899	SCALE 2:1	SHEET 1 OF 1	REV C					
SIZE A3	CAGE CODE 00779	DRAWING NO C-213899												
SCALE 2:1	SHEET 1 OF 1	REV C												