



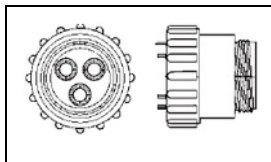
Have a Question?
 Chat with a Product Information Specialist

What can we help you find?

[Products](#) |
 [Industries](#) |
 [Resources](#) |
 [About TE](#) |
 [My Account](#) |
 [Innovation](#) |
 [Support Center](#)

213905-1 Product Details

[Share](#) |
 [Print](#) |
 [Email](#)



213905-1

TE Internal Number: 213905-1

Active

View 3D PDF

CPC (Circular Plastic) and Circular Metal-Shell Connectors

Always EU RoHS/ELV Compliant (Statement of Compliance)

Product Highlights:

- Housing
- Connector Style = Plug
- 3 Positions
- 0 Signal Positions
- 3 Power Positions

[View all Features](#)

Quick Links

- ▶ Pricing & Availability
- ▶ Search for Tooling
- ▶ View Mating Products (2)
- ▶ Product Feature Selector
- ▶ Contact Us About This Product

[Add to My Part List](#) |
 [Request Sample](#) |
 [Find Similar Products](#) |
 [Buy Product](#)

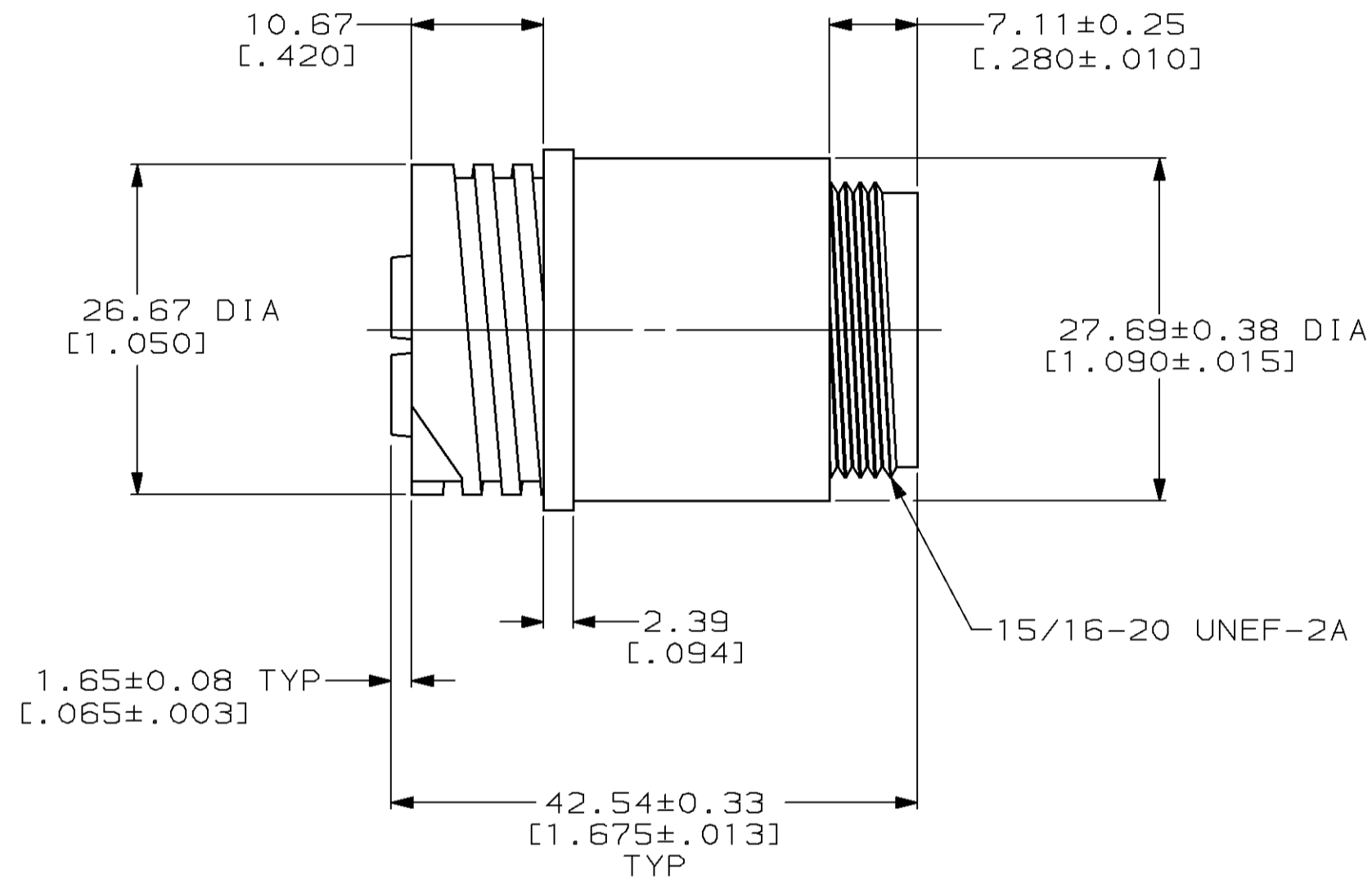
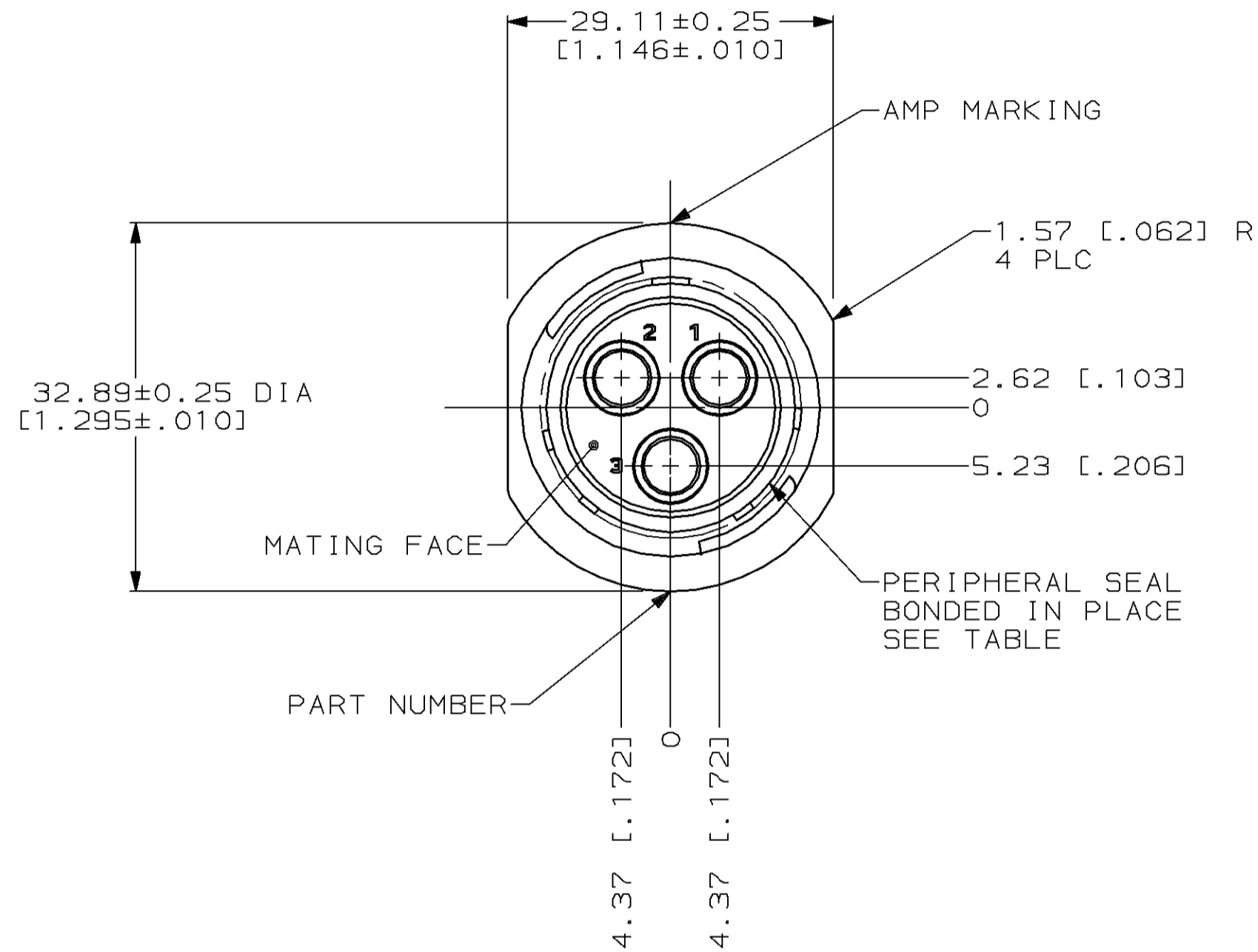
Documentation & Additional Information	
<p>Product Drawings:</p> <ul style="list-style-type: none"> • PLUG ASSEMBLY, REVERSE SEX, 17-3, SERIES 5, CIRCULAR... (PDF, English) <p>Catalog Pages/Data Sheets:</p> <ul style="list-style-type: none"> • AMP Circular Connectors for Commercial Signal & Powe... (PDF, English) <p>Product Specifications:</p> <ul style="list-style-type: none"> • Sealed Circular Plastic Connector With Removable Cri... (PDF, English) <p>Application Specifications:</p> <ul style="list-style-type: none"> • Circular Plastic Connectors (CPC) (PDF, English) <p>Instruction Sheets:</p> <ul style="list-style-type: none"> • Sealed Circular Plastic Connectors (PDF, English) <p>CAD Files: (CAD Format & Compression Information)</p> <ul style="list-style-type: none"> • 2D Drawing (DXF, Version D) • 3D Model (IGES, Version D) • 3D Model (STEP, Version D) 	<p>Related Products:</p> <ul style="list-style-type: none"> • Tooling • Mating Products (2)

[List all Documents](#)

Product Features (Please use the Product Drawing for all design activity)	
<p>Product Type Features:</p> <ul style="list-style-type: none"> • Connector Type = Housing • Mount Angle = Straight • Shell Size = 17 • Shell Type = All Plastic • Product Series = Series 5 • Thread Size = 15/16-20 UNEF-2A • Sealed = Yes <p>Mechanical Attachment:</p> <ul style="list-style-type: none"> • Mount = Free Hanging • Mating Retention Type = Threaded Coupling <p>Termination Features:</p> <ul style="list-style-type: none"> • Seal Type = Interfacial <p>Contact Features:</p> <ul style="list-style-type: none"> • Contact Type = Pin • Reverse Gender = Reverse <p>Housing Features:</p> <ul style="list-style-type: none"> • Connector Style = Plug • Mating Alignment Type = Keyed • Housing Material = Nylon 6/6 GF • Housing Color = Black • UL Flammability Rating = UL 94V-0 	<p>Configuration Features:</p> <ul style="list-style-type: none"> • Number of Positions = 3 • Number of Signal Positions = 0 • Number of Power Positions = 3 • Environmental Protection = With • Reverse Numbering = Without <p>Industry Standards:</p> <ul style="list-style-type: none"> • VDE Tested = No • RoHS/ELV Compliance = RoHS compliant, ELV compliant • Lead Free Solder Processes = Not relevant for lead free process • RoHS/ELV Compliance History = Always was RoHS compliant <p>Environmental:</p> <ul style="list-style-type: none"> • Fluid Resistance = Immersion <p>Conditions for Usage:</p> <ul style="list-style-type: none"> • Accepts Wire Insulation Diameter, Range (mm [in]) = 3.81 - 6.73 [0.150 - 0.265] <p>Other:</p> <ul style="list-style-type: none"> • Brand = AMP

THIS DRAWING IS UNPUBLISHED. RELEASED FOR PUBLICATION
 BY AMP INCORPORATED. ALL RIGHTS RESERVED.

LOC	DIST	REVISIONS					
		P	LTR	DESCRIPTION	DATE	DWN	APVD
BD	35			RELEASED -1 PER NPR 5365, WAS 95-7970-19	06/23/95	-	-
		A		ADDED -2 AND REVISED PER EC 0020-900-95	15 SEP 95	DH	AF



YES	213890-2
NO	213890-1
PERIPHERAL SEAL	PART NUMBER

THIS DRAWING IS A CONTROLLED DOCUMENT FOR AMP INCORPORATED. IT IS SUBJECT TO CHANGE AND THE CONTROLLING ENGINEERING ORGANIZATION SHOULD BE CONTACTED FOR THE LATEST REVISION.		DWN	06/23/95	AMP AMP Incorporated Harrisburg, PA 17105-3608		
DIMENSIONS: mm [INCHES]		CHK	06/29/95			
TOLERANCES UNLESS OTHERWISE SPECIFIED:		APVD	06/29/95			
0 PLC ±- 1 PLC ±- 2 PLC ±0.13 [.005] 3 PLC ±- 4 PLC ±- ANGLES ±- FINISH -		NAME	A.FRANTUM			
MATERIAL NYLON, BLACK		PRODUCT SPEC	108-1579	RECEPTACLE HOUSING, REVERSE SEX, SERIES 5, 17-3, CIRCULAR PLASTIC CONNECTOR		
		APPLICATION SPEC	-	SIZE	CAGE CODE	DRAWING NO
		WEIGHT	-	A2	00779	C=213890
		CUSTOMER DRAWING		SCALE	SHEET	REV
				2:1	1 OF 1	A

213890