

4

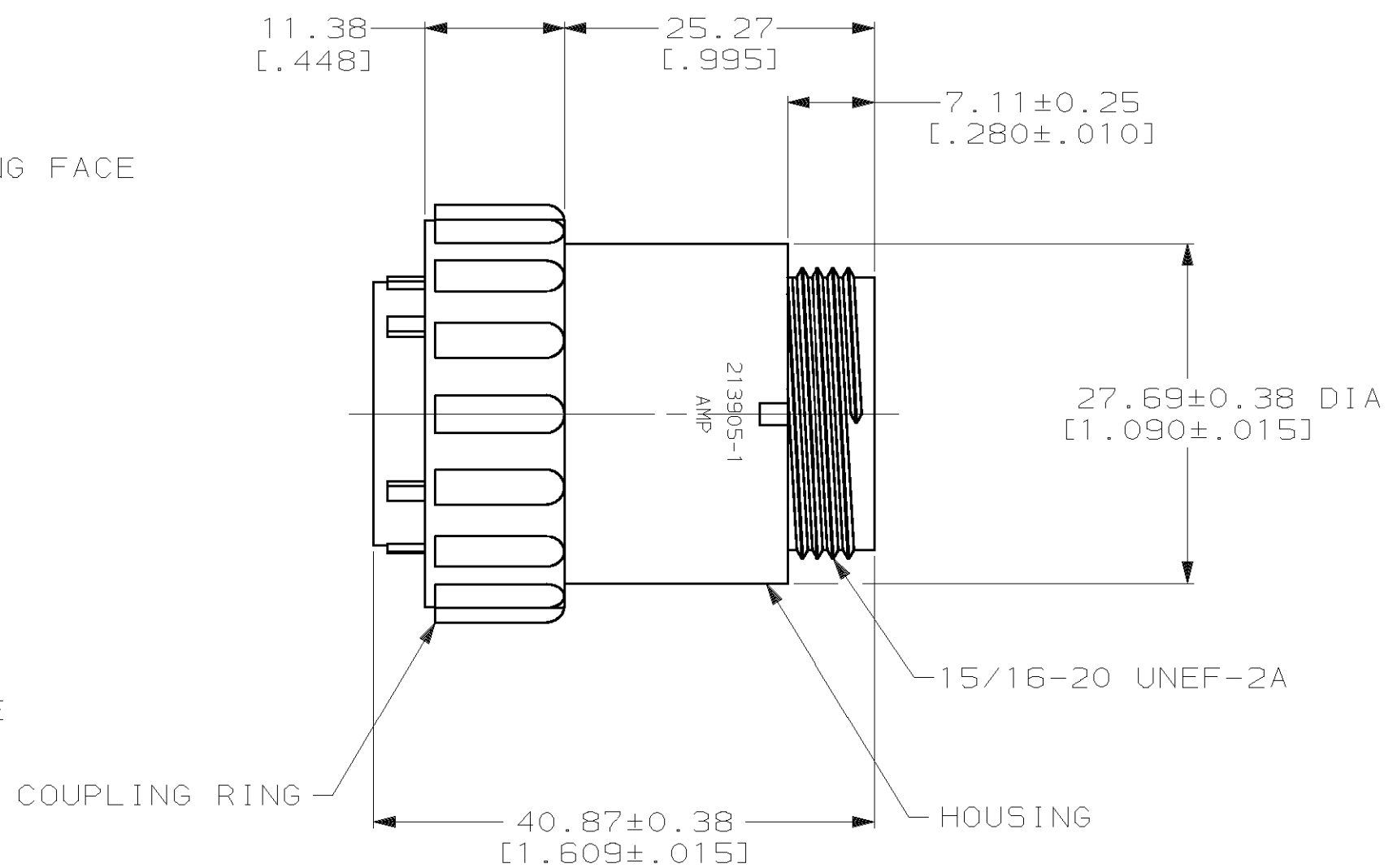
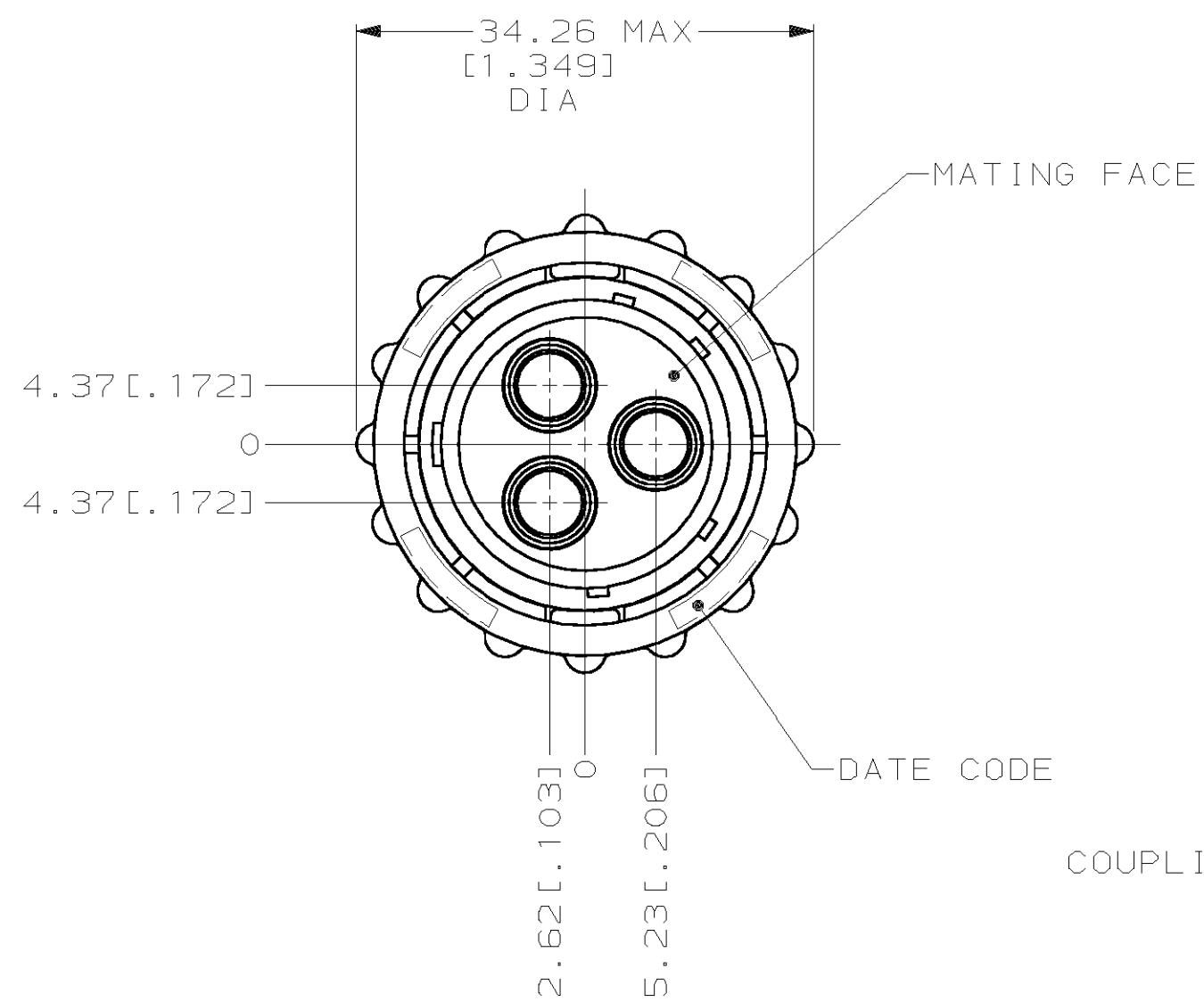
3

2

1

THIS DRAWING IS UNPUBLISHED. RELEASED FOR PUBLICATION ,19 .
 © COPYRIGHT 19 BY AMP INCORPORATED. ALL RIGHTS RESERVED.

| LOC | DIST | REVISIONS | | | |
|-----|------|-------------|-----------------------------|---------|-------|
| P | LTR | DESCRIPTION | DATE | DWN | APVD |
| | | D | REVISE PER ECN 0G3B-0292-00 | 14JUL00 | SU MC |



213905-1
PART NUMBER

① HOUSING: GLASS FILLED NYLON, 6/6, BLACK
 COUPLING RING: POLYESTER, BLACK

| | | | |
|---|--|-------------------------------|--|
| THIS DRAWING IS A CONTROLLED DOCUMENT FOR AMP INCORPORATED. IT IS SUBJECT TO CHANGE AND THE CONTROLLING ENGINEERING ORGANIZATION SHOULD BE CONTACTED FOR THE LATEST REVISION. | | DWN D.HARDY 07/04/95 | AMP AMP Incorporated Harrisburg, PA 17105-3608 |
| DIMENSIONS: mm [INCHES] | | CHK W.G.LENKER 07/05/95 | |
| TOLERANCES UNLESS OTHERWISE SPECIFIED: 0 PLC ±- 1 PLC ±- 2 PLC ±0.13 [.005] 3 PLC ±- 4 PLC ±- ANGLES ±- | | APVD A.FRANTUM 07/05/95 | NAME PLUG ASSEMBLY, REVERSE SEX, 17-3, SERIES 5, CIRCULAR PLASTIC CONNECTOR |
| MATERIAL ① | | PRODUCT SPEC - | SIZE A3 |
| FINISH - | | APPLICATION SPEC - | CAGE CODE 00779 |
| | | WEIGHT - | DRAWING NO C-213905 |
| | | CUSTOMER DRAWING | SCALE 2:1 |
| | | | SHEET 1 OF 1 |
| | | | REV D |