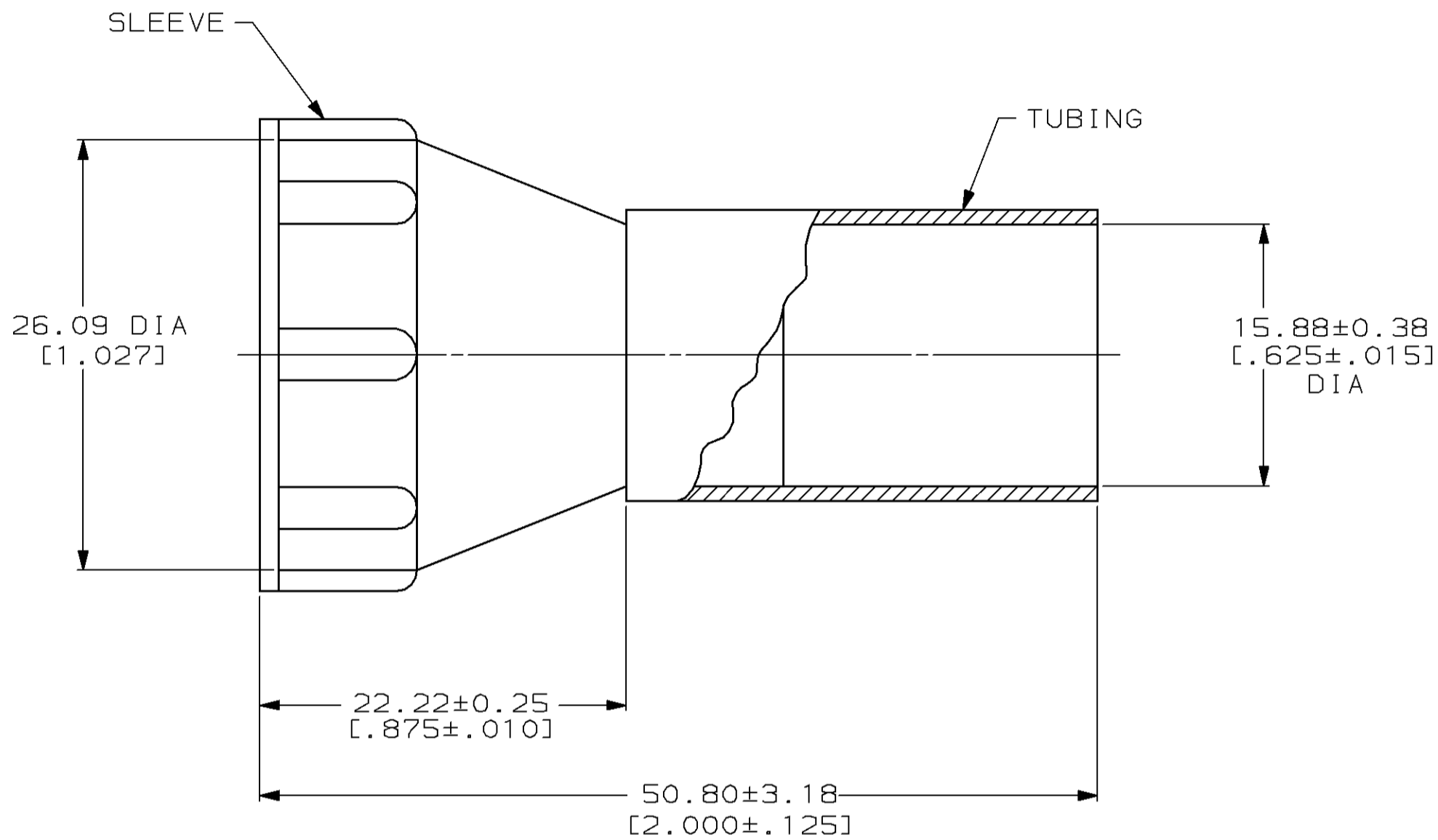
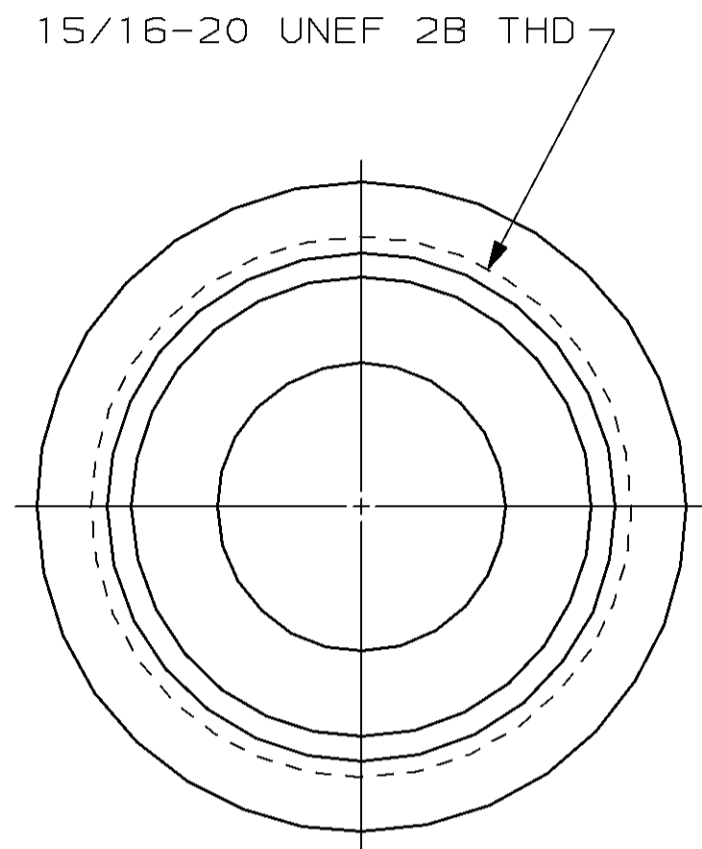


THIS DRAWING IS UNPUBLISHED. RELEASED FOR PUBLICATION
 © COPYRIGHT 19 BY AMP INCORPORATED. ALL RIGHTS RESERVED.

LOC		DIST		REVISIONS			
P	LTR	DESCRIPTION	DATE	DWN	APVD		
		0	RLSE -1 PER NPR 5493, WAS 95-5029-8	19 MAR 96	-	-	
		A	REV PER EC 0320-38-96	03 SEP 96	BC	AF	



1 TUBING: POLYOLEFIN, 94V2 RATED.
 SLEEVE: NYLON, BLACK.

<small>THIS DRAWING IS A CONTROLLED DOCUMENT FOR AMP INCORPORATED. IT IS SUBJECT TO CHANGE AND THE CONTROLLING ENGINEERING ORGANIZATION SHOULD BE CONTACTED FOR THE LATEST REVISION.</small>		DWN W.G.LENKER 19 MAR 96 CHK R.STONE 19 MAR 96 APVD A.FRANTUM 20 MAR 96	AMP AMP Incorporated Harrisburg, PA 17105-3608
DIMENSIONS: mm [INCH]	TOLERANCES UNLESS OTHERWISE SPECIFIED: 0 PLC ±- 1 PLC ±- 2 PLC ±0.13 (.005) 3 PLC ±- 4 PLC ±- ANGLES ±- FINISH -	NAME PRODUCT SPEC APPLICATION SPEC WEIGHT	STRAIN RELIEF ASSEMBLY, SHELL SIZE 17, CPC SIZE A2 CAGE CODE 00779 DRAWING NO. C-213933
MATERIAL 1		CUSTOMER DRAWING	SCALE 3:1 SHEET 1 OF 1 REV A

213933