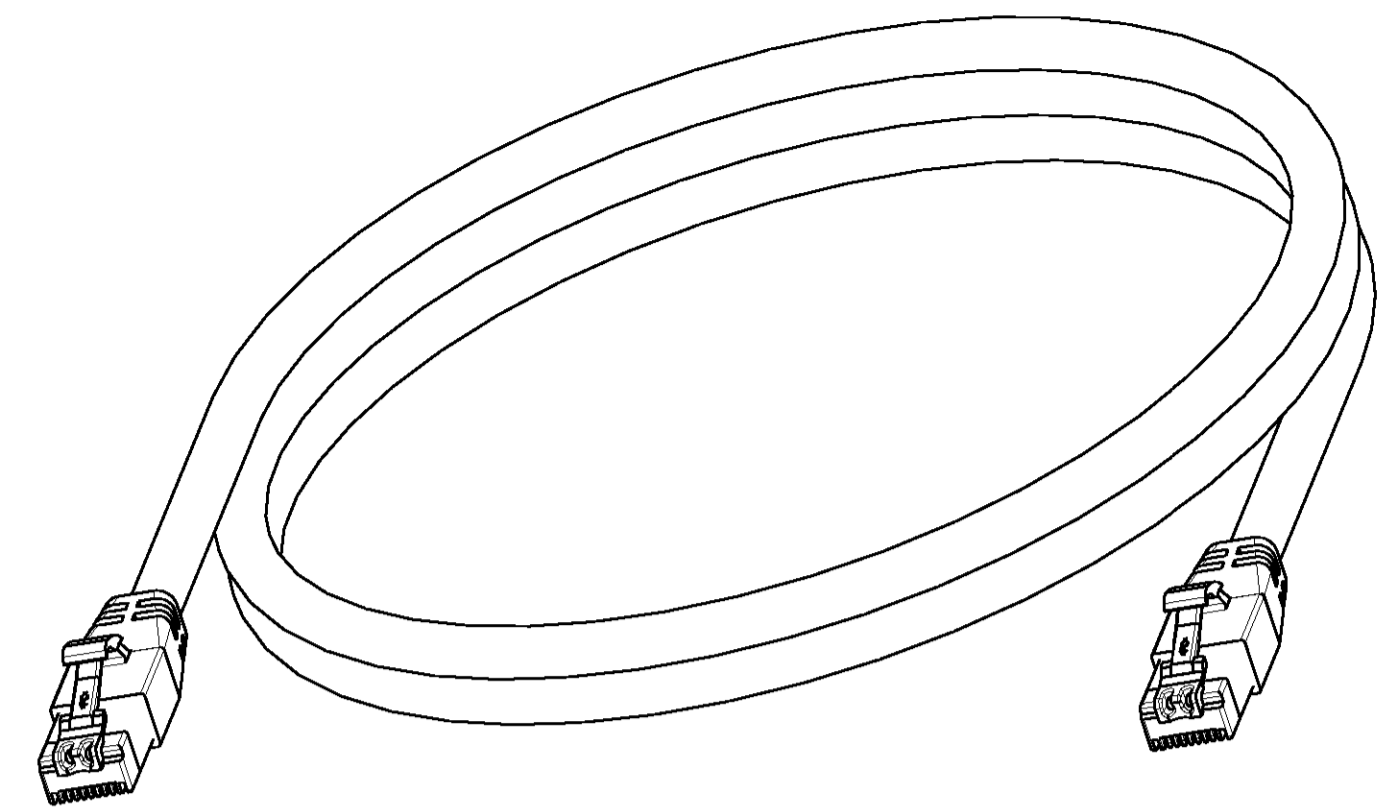
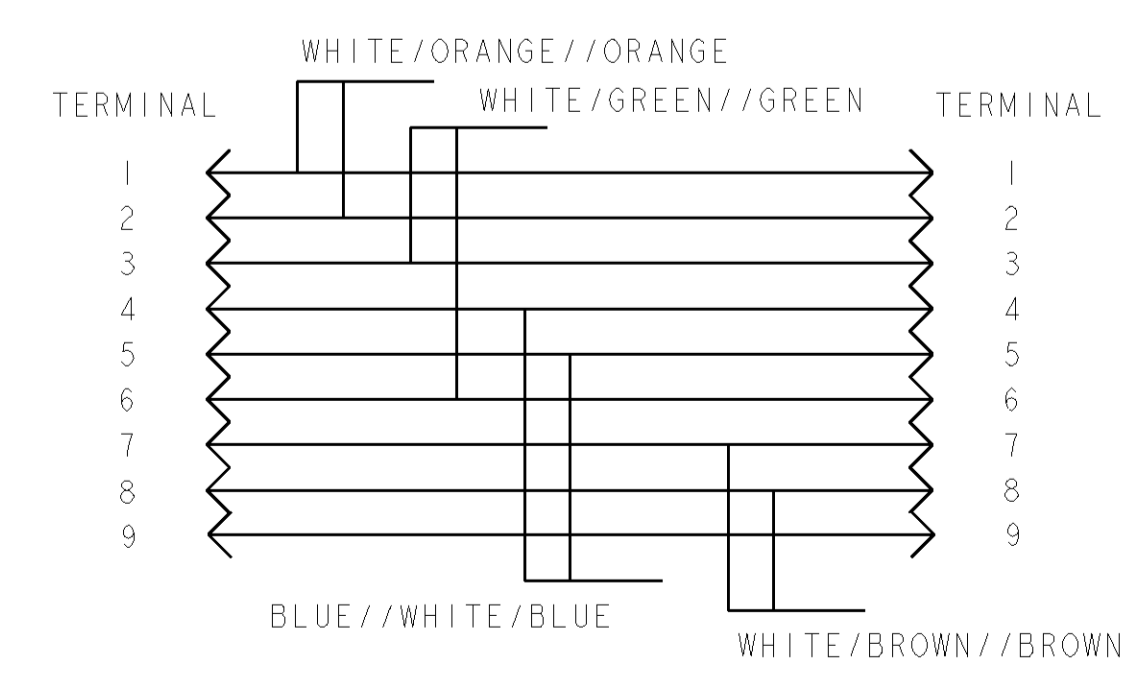
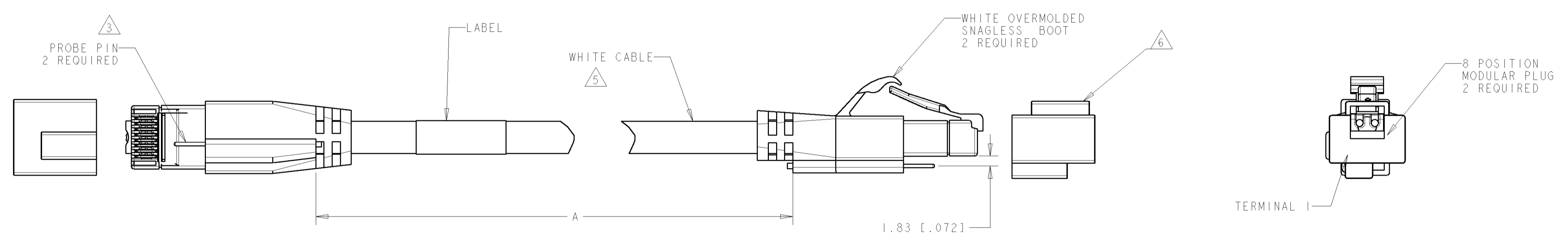


LOC	DIST	REVISIONS					
HM	00	P	LTR	DESCRIPTION	DATE	DWN	APVD
		E		REV: ECO-07-008746	19APR2007	GG	JC



- 1 CABLE ASSEMBLY SHALL BE WIRED PER WIRING DIAGRAM.
- 2. FINAL ASSEMBLY SHALL BE 568B COMPLIANT.
- 3 PROBE PINS ARE CONNECTED BY 9TH WIRE IN CABLE.
- 4 DIMENSIONS ARE MAXIMUM.
- 5 CABLE OUTSIDE DIAMETER IS 6.7 MM NOMINAL AND FOR REFERENCE ONLY.
- 6 PROTECTIVE CAPS TO BE REMOVED PRIOR TO MATING WITH MODULAR JACK, SHIPPED WITH CAPS INSTALLED.



1 WIRING DIAGRAM
568B

25	7874.0 [310.00]	2-1435834-5
16	5130.8 [202.00]	1-1435834-6
14	4521.2 [178.00]	1-1435834-4
10	3251.2 [128.00]	1-1435834-0
9	2895.6 [114.00]	1435834-9
7	2286.0 [90.00]	1435834-7
5	1676.4 [66.00]	1435834-5
4	1371.6 [54.00]	1435834-4
3	1066.8 [42.00]	1435834-3
2	762.0 [30.00]	1435834-2
1	457.2 [18.00]	1435834-1
FEET, REF	A	PART NO.

DIMENSIONS: MM [INCH]		TOLERANCES UNLESS OTHERWISE SPECIFIED:		DWN L. SMITH 22MAR04		tyco Electronics Tyco Electronics Harrisburg, Pa., 17105-3608	
		0 PLC ± 1 PLC ± 2 PLC ± 3 PLC ± 4 PLC ± ANGLES ±		ENR M. DELPHIAS 22MAR04		NAME PATCH CORD, AMPTRAC, CATEGORY 6, NON-PLENUM, WHITE, W/WHITE BOOTS	
MATERIAL -		FINISH -		APVD M. DELPHIAS 22MAR04		PRODUCT SPEC - APPLICATION SPEC -	
CUSTOMER DRAWING		WEIGHT -		SIZE CAGE CODE DRAWING NO A 00779 C-1435834		RESTRICTED TO -	
SCALE 2:1		SHEET 1 OF 1		REV E		DATE 19APR2007	

Mouser Electronics

Authorized Distributor

Click to View Pricing, Inventory, Delivery & Lifecycle Information:

[TE Connectivity Divested:](#)

[1499057-7](#)