

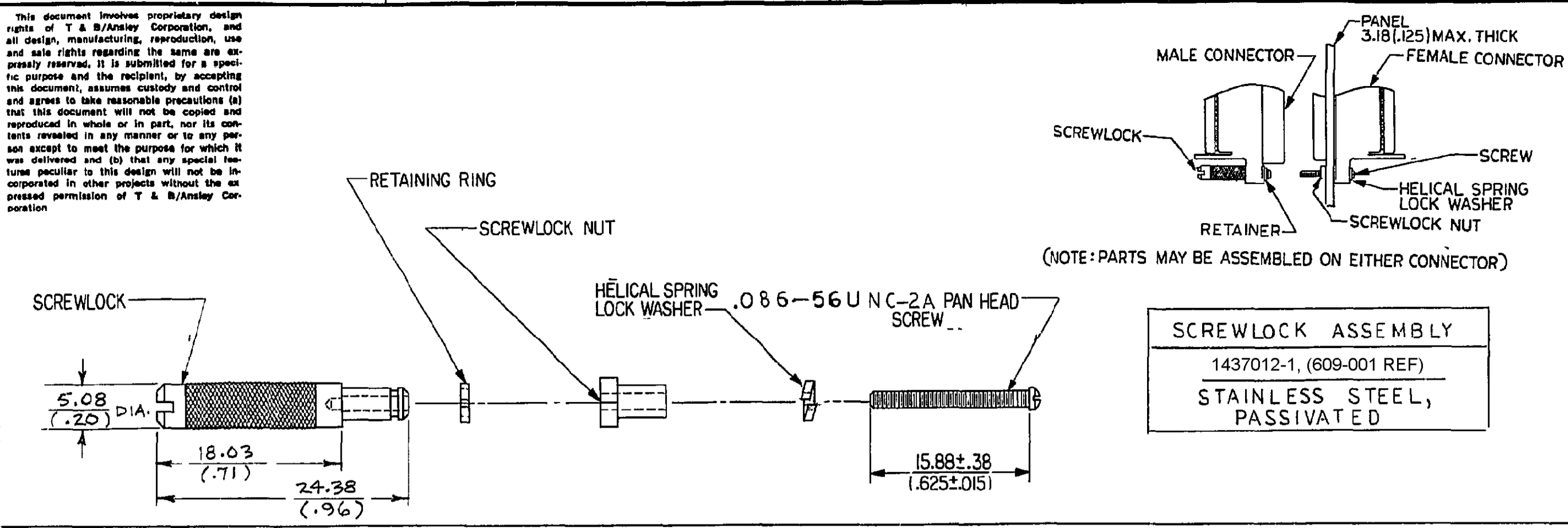
Distributed by:

JAMECO[®]
ELECTRONICS

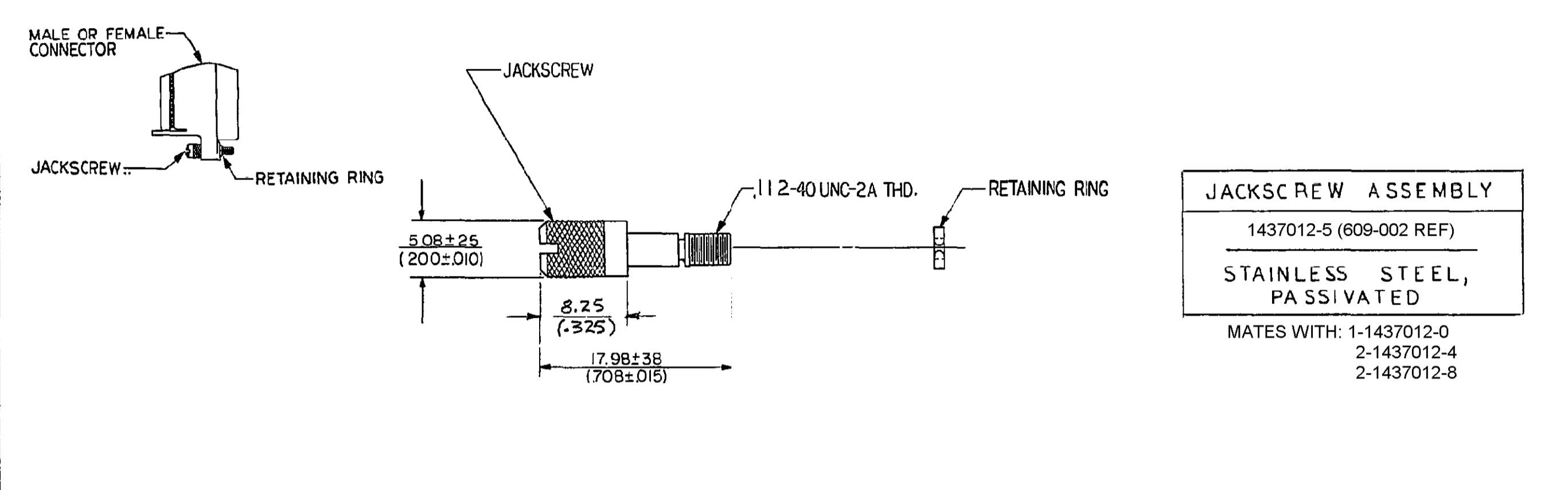
www.Jameco.com ♦ 1-800-831-4242

The content and copyrights of the attached
material are the property of its owner.

Jameco Part Number 907235

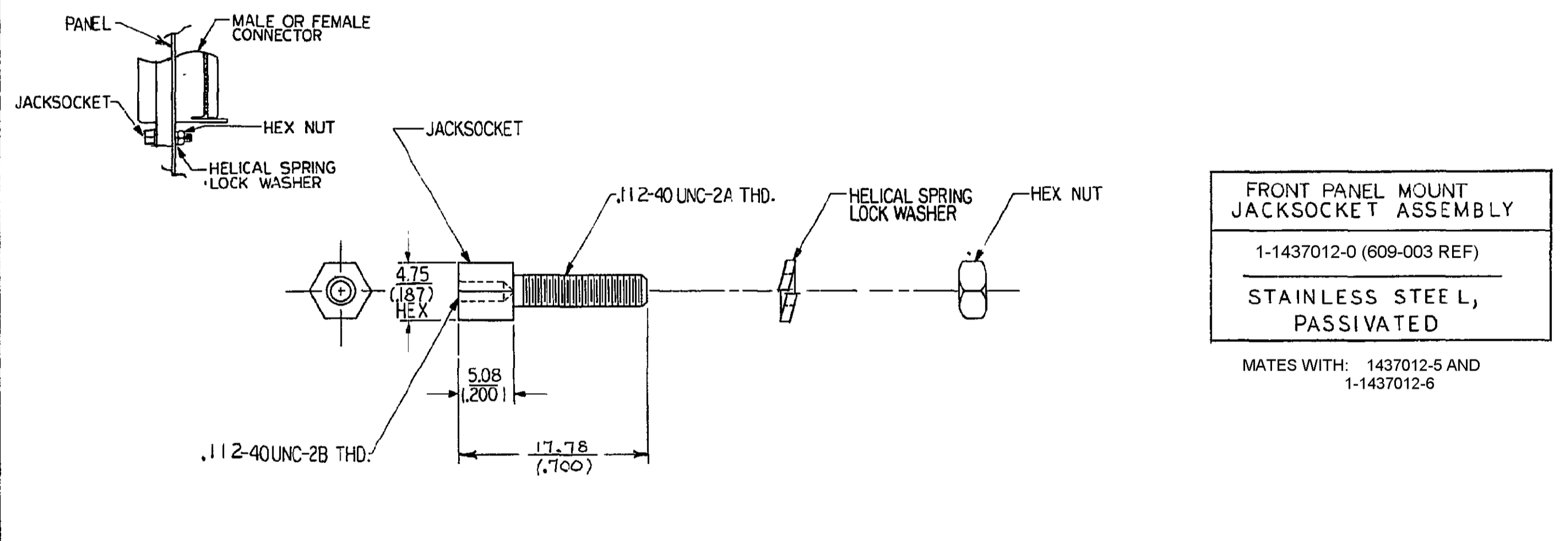


SCREWLOCK ASSEMBLY
1437012-1, (609-001 REF)
STAINLESS STEEL,
PASSIVATED



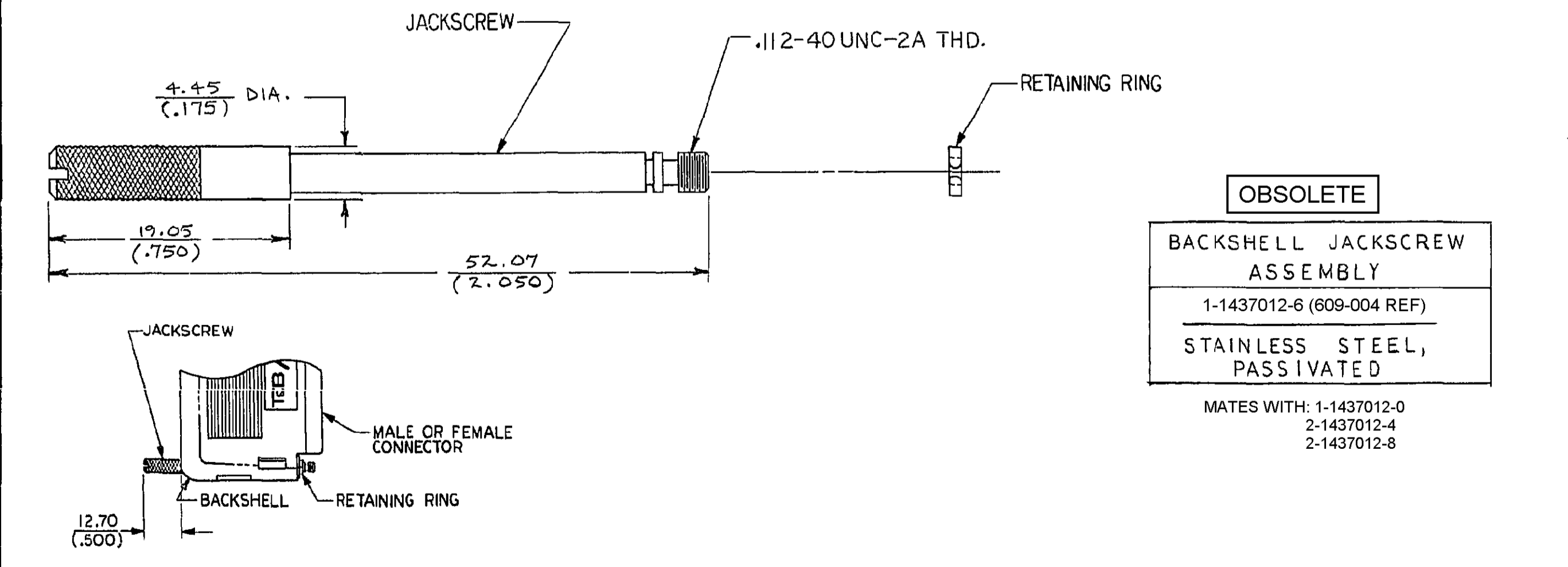
JACKSCREW ASSEMBLY
1437012-5 (609-002 REF)
STAINLESS STEEL,
PASSIVATED

MATES WITH: 1-1437012-0
2-1437012-4
2-1437012-8



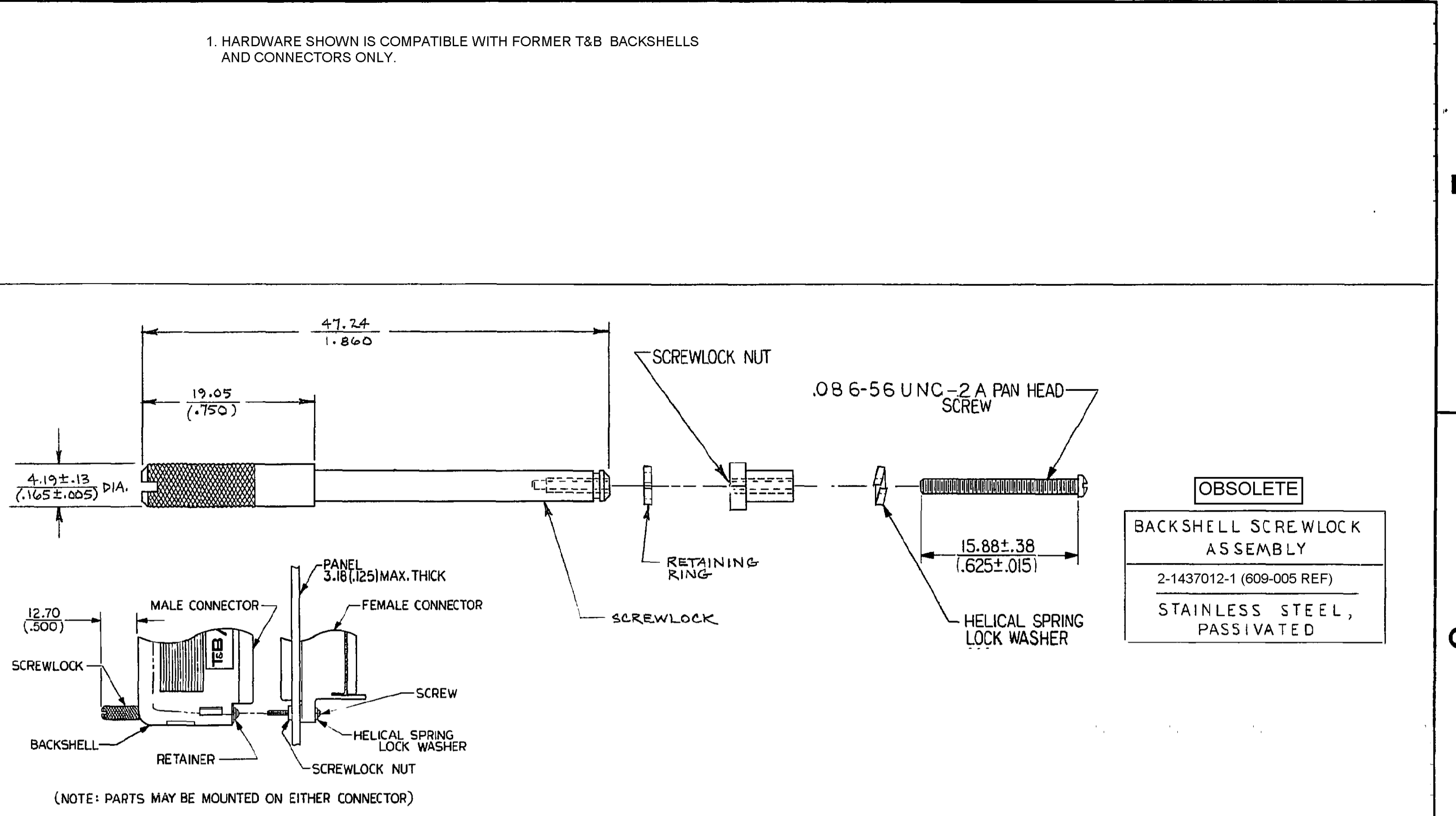
FRONT PANEL MOUNT JACKSCREW ASSEMBLY
1-1437012-0 (609-003 REF)
STAINLESS STEEL,
PASSIVATED

MATES WITH: 1437012-5 AND
1-1437012-6

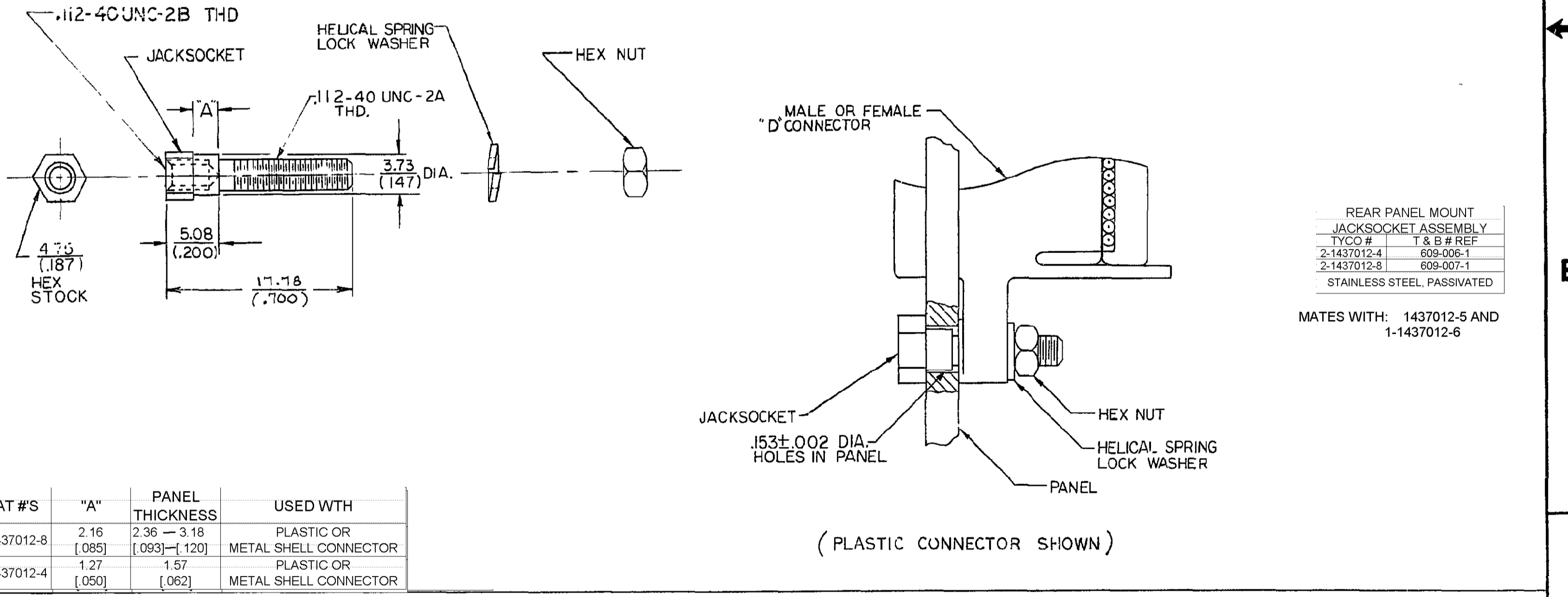


BACKSHELL JACKSCREW ASSEMBLY
1-1437012-6 (609-004 REF)
STAINLESS STEEL,
PASSIVATED

MATES WITH: 1-1437012-0
2-1437012-4
2-1437012-8



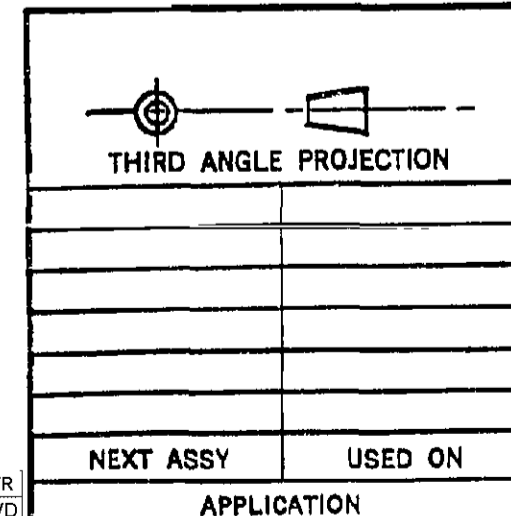
BACKSHELL SCREWLOCK ASSEMBLY
2-1437012-1 (609-005 REF)
STAINLESS STEEL,
PASSIVATED



REAR PANEL MOUNT JACKSCREW ASSEMBLY
TYCO # 1437012-4
2-1437012-8
609-006-1
609-007-1
STAINLESS STEEL, PASSIVATED

MATES WITH: 1437012-5 AND
1-1437012-6

CAT #S	"A"	PANEL THICKNESS	USED WITH
2-1437012-8	2.16 [.085]	2.36 - 3.18 [.093] - [1.20]	PLASTIC OR METAL SHELL CONNECTOR
2-1437012-4	1.27 [.050]	1.57 [.062]	PLASTIC OR METAL SHELL CONNECTOR



UNLESS OTHERWISE SPECIFIED, DIMENSIONS ARE IN M.M.(INCHES)

TOLERANCES —
FRACTIONS =
ANGLES =
DECIMALS
XX (.XXX) ±
X (.XX) ±

FIND NO.	QTY REQD	CODE IDENT	PART NO.	DESCRIPTION	ZONE
LIST OF MATERIALS					
DRAWN				TITLE	
CHECKED				D CONNECTOR MOUNTING ACCESSORY HARDWARE	
APPROVED					
APPROVED					
APPROVED					
			MATERIAL		
			NEXT ASSY	USED ON	
			APPLICATION		
				SIZE	REV.
				D 15912	1437012-1
				SCALE	SHEET OF
				N T S	

0 REVISION PER ECN 0513-0094-05 20-JUL-06 JDP CWR
REV REVISION RECORD DATE DWN/APVD