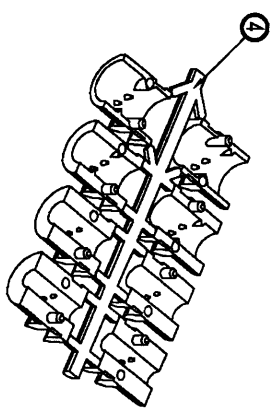
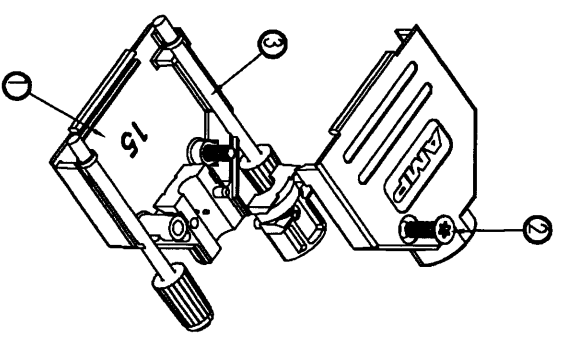
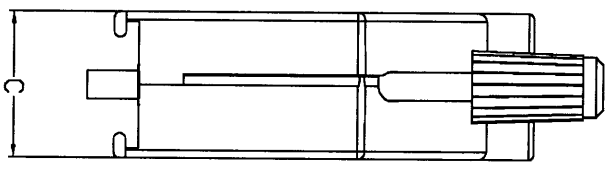
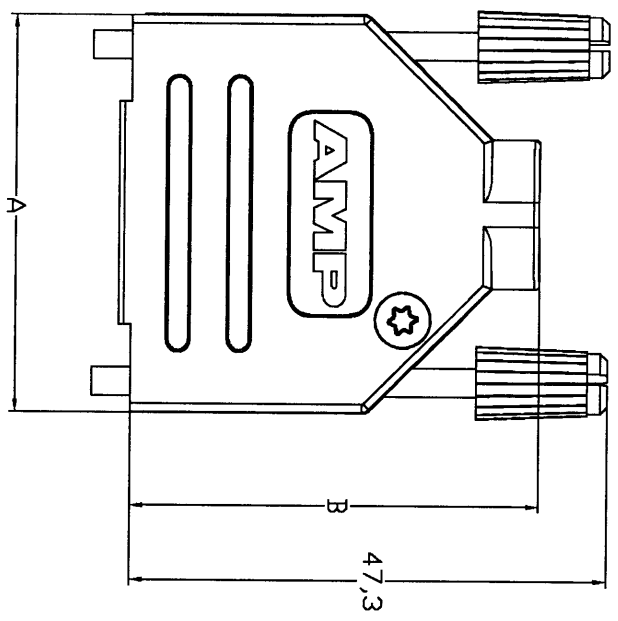


THIS DRAWING IS UNREGISTERED. RELEASED FOR PUBLICATION BY TEO ELECTRONICS CORPORATION. ALL RIGHTS RESERVED.

41 9696 412 9221
 412 9202
 412 9214



PART NUMBER	'A'	'B'	'C'	ITEM	QTY
3-1478762-7	70.9	52.2	15.0	BACKSHELL HALF	2
2-1478762-5	53.2	47.3	14.6	SCREW	2
1-1478762-5	39.5	40.5	14.6	JACKSCREW	2
0-1478762-9	31.0	38.3	14.6	STRAIN RELIEF SET	2

1. FOR ASSEMBLY DETAILS REFER TO LEAFLET 0-1478530-1, 1-PER BOX OF 100 PARTS

REV	DATE	BY	APP'D
1	27-02-02	AJB	FWK

REV	DESCRIPTION
A	RELEASE FOR PRODUCTION

QTY / PACK	DESCRIPTION	PART NUMBER
1	METAL BACKSHELL 37 WAY TOP ENTRY	3-1478762-7
1	METAL BACKSHELL 25 WAY TOP ENTRY	2-1478762-5
1	METAL BACKSHELL 15 WAY TOP ENTRY	1-1478762-5
1	METAL BACKSHELL 9 WAY TOP ENTRY	0-1478762-9

THIS DRAWING IS A CONTROLLED DOCUMENT.
 DIM: A. BEKEN 27-02-02
 CHK: R.G. 27-02-02
 AP'D: F.W.-KING 27-02-02

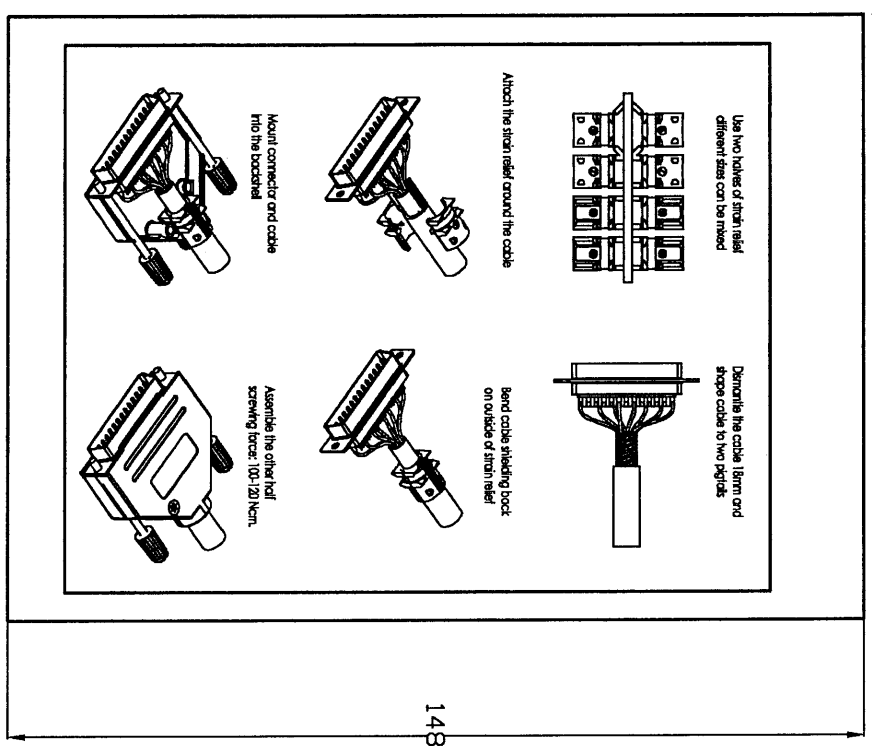
DIMENSIONS: MM
 TOLERANCES UNLESS OTHERWISE SPECIFIED:
 0 P.L.C. ±.01
 1 P.L.C. ±.02
 2 P.L.C. ±.03
 3 P.L.C. ±.04
 4 P.L.C. ±.05

MATERIAL: -
 FINISH: -
 WEIGHT: -
 CUSTOMER DRAWING: -

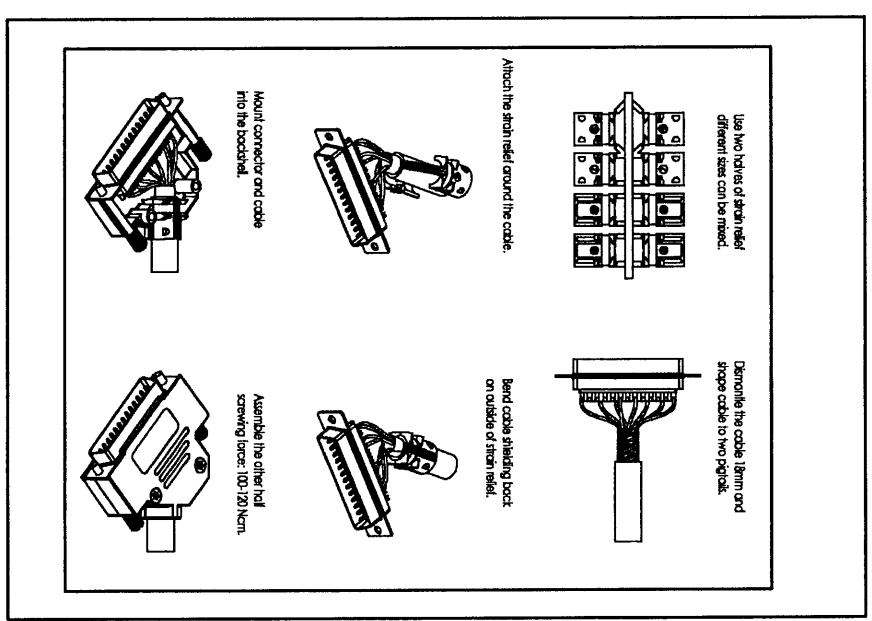
ADK SERIES DIE-CAST BACKSHELL STRAIGHT ENTRY
 Tyco Electronics Corporation
 Stamford, Middlesex, HA7 4RS
 SCALE 1:1 SHEET 1 OF 1 REV B

105.0

148.5



SIDE 1



SIDE 2

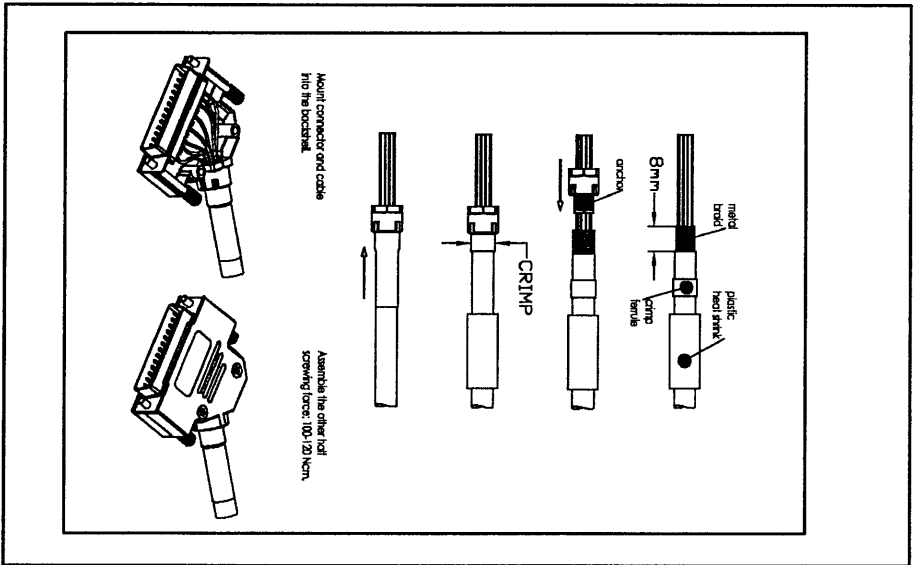
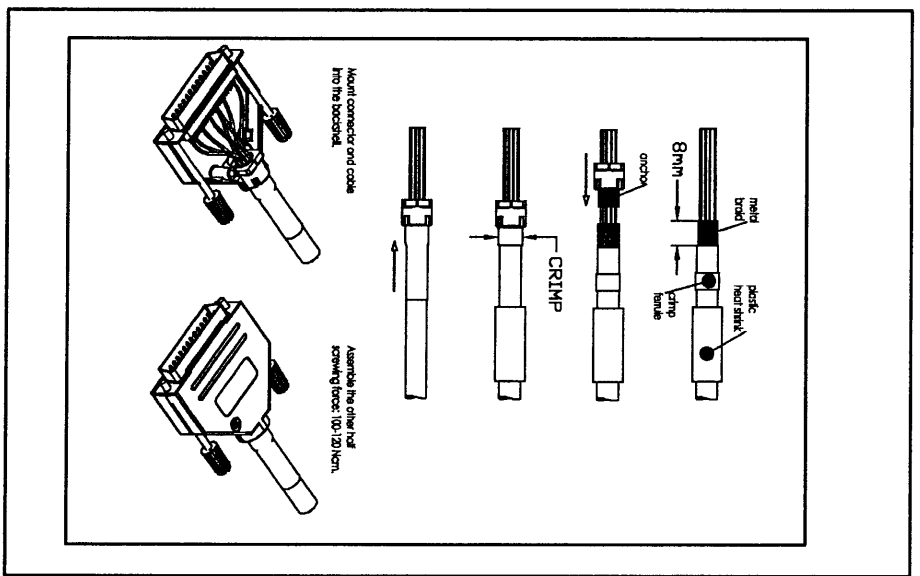
LOC	DIST	REV	DATE	BY	APPD
E	B	1	07-03-02	AJ	BJW-K
DESCRIPTION: LEAFLET, ASSEMBLY INSTRUCTIONS FOR ADK SERIES					

COVERS SERIES

THIS DRAWING IS A CONTROLLED DOCUMENT.	
DIMENSIONS: MM	TOLERANCES UNLESS OTHERWISE SPECIFIED:
0 PLC	± /
1 PLC	± /
2 PLC	± /
3 PLC	± /
4 PLCS	± /
FINISH	± /
MATERIAL	
APPROVED: E.W.-K	DATE: 07 MAR 02
PRODUCT SPEC	CHK: A.J. BEKEN
APPLICATION SPEC	CHK: C. NEALE
WEIGHT	
CUSTOMER DRAWING	
SIZE: A3	QAGE CODE: 00779
DRAWING NO: 1478530	SCALE: N.T.S.
SHEET: 1	OF: 1
REV: A	

DESCRIPTION	PART NO.
LEAFLET, BACKSHELL ASSEMBLY	1478530-1
Tycos Electronics Corporation Stammore, Middlesex, HA7 4RS	

LEAFLET, ASSEMBLY INSTRUCTIONS FOR ADK SERIES



SIDE 1

SIDE 2

Covers
 Series

THIS DRAWING IS A CONTROLLED DOCUMENT.

DIMENSIONS:	MM
TOLERANCES UNLESS OTHERWISE SPECIFIED:	± /
0 PL/C	± /
1 PL/C	± /
2 PL/C	± /
3 PL/C	± /
4 PL/C	± /
ANGLES	± /
FINISH	± /

DRAWN	11.06.02
CHK	S.J. SHACKSON
APD	11.06.02
PRODUCT SPEC	CJK
APPLICATION SPEC	
WEIGHT	

CUSTOMER DRAWING	
------------------	--

LEAFLET, CRIMP KIT	1478531-1
DESCRIPTION	
Tyco Electronics Corporation Stammore, Middlesex, HA7 4RS	
NAME	
LEAFLET, APPLICATION INSTRUCTIONS FOR ADK SERIES	
SIZE	CAGE CODE
A3	00779
SCALE	DRAWING NO
N.T.S.	1478531
SHEET	RESTRICTED TO
1 OF 1	
REV	
A	