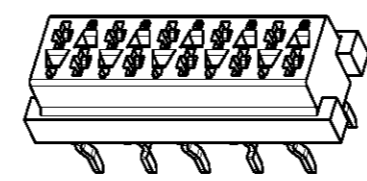
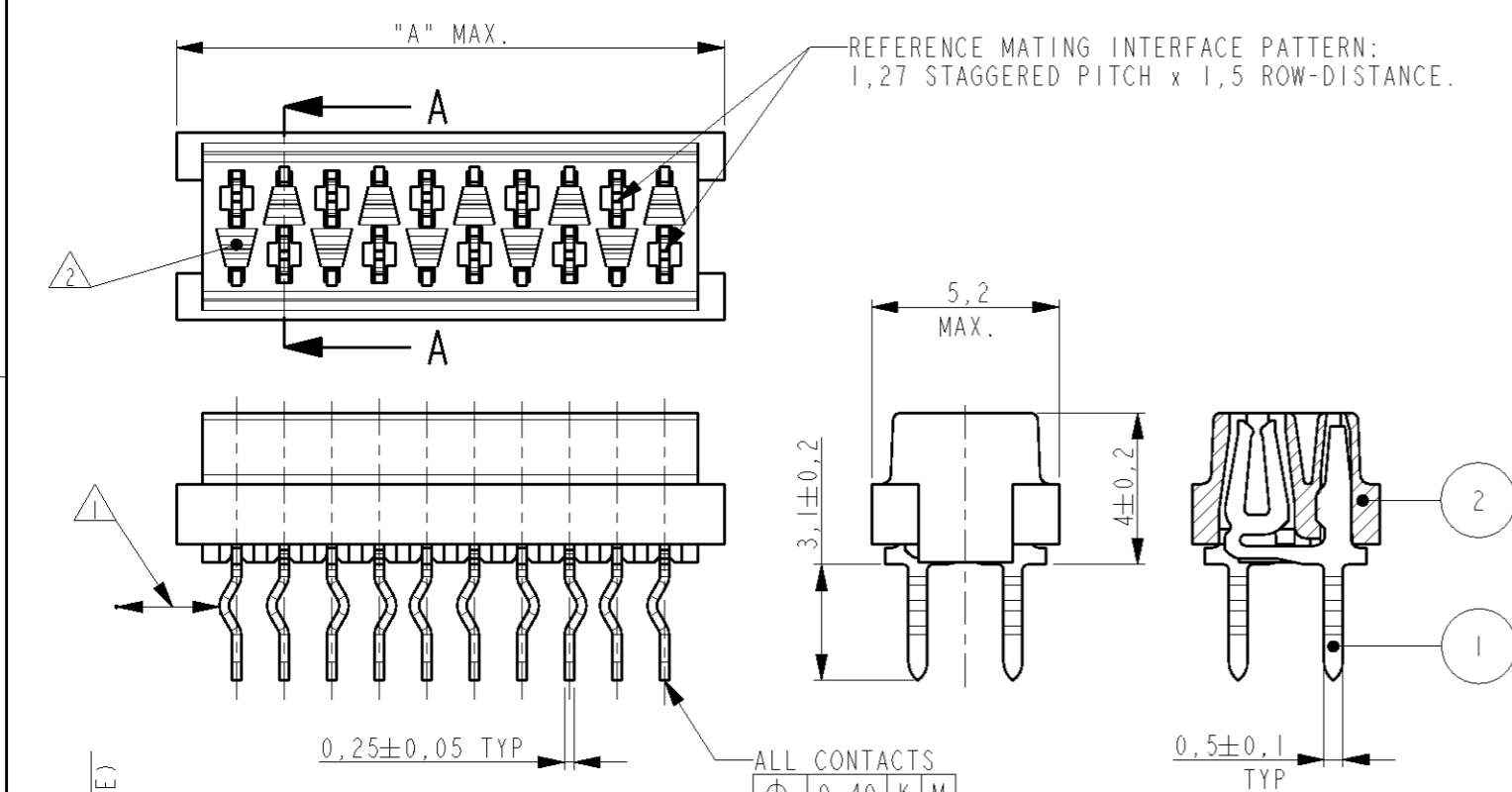


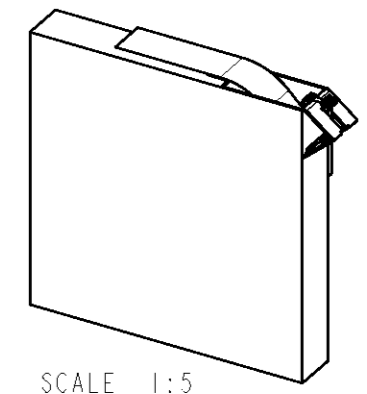
THIS DRAWING IS UNPUBLISHED. RELEASED FOR PUBLICATION  
 © COPYRIGHT - BY ALL RIGHTS RESERVED.

LOC H	DIST -	REVISIONS			
P	LTR	DESCRIPTION	DATE	DWN	APVD
	W1	REVISED PER ECO-11-005294	27APR11	RK	HMR



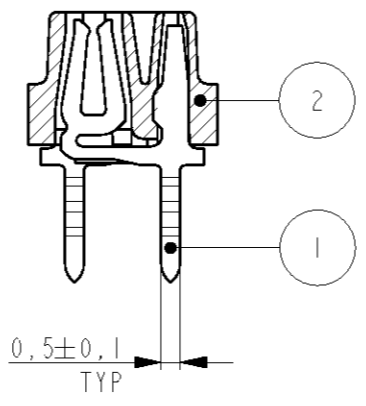
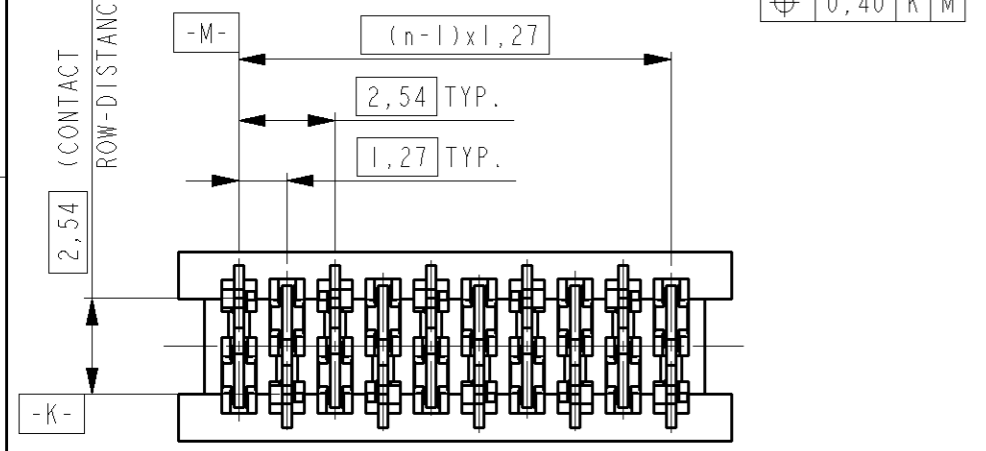
SCALE 3:1

PARTNUMBER BOX PACKAGING	PARTNUMBER REEL PACKAGING	NR OF POS "n"	DIMENSION "A" MAX
7-215079-4	215079-4	4	7,1
7-215079-6	215079-6	6	9,7
7-215079-8	215079-8	8	12,2
8-215079-0	1-215079-0	10	14,7
8-215079-2	1-215079-2	12	17,3
8-215079-4	1-215079-4	14	19,8
8-215079-6	1-215079-6	16	22,4
8-215079-8	1-215079-8	18	24,9
9-215079-0	2-215079-0	20	27,4

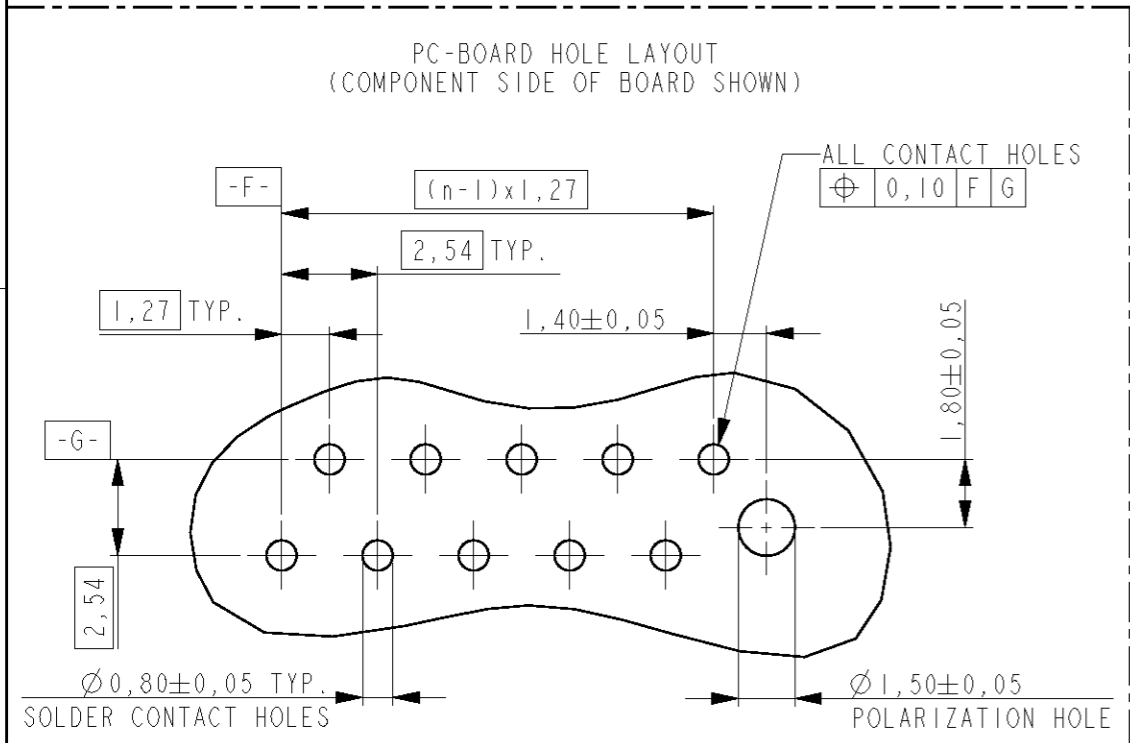


SCALE 1:5

BOX PACKAGING  
250 CONNECTORS PER BOX  
FOR ALL PARTNUMBERS

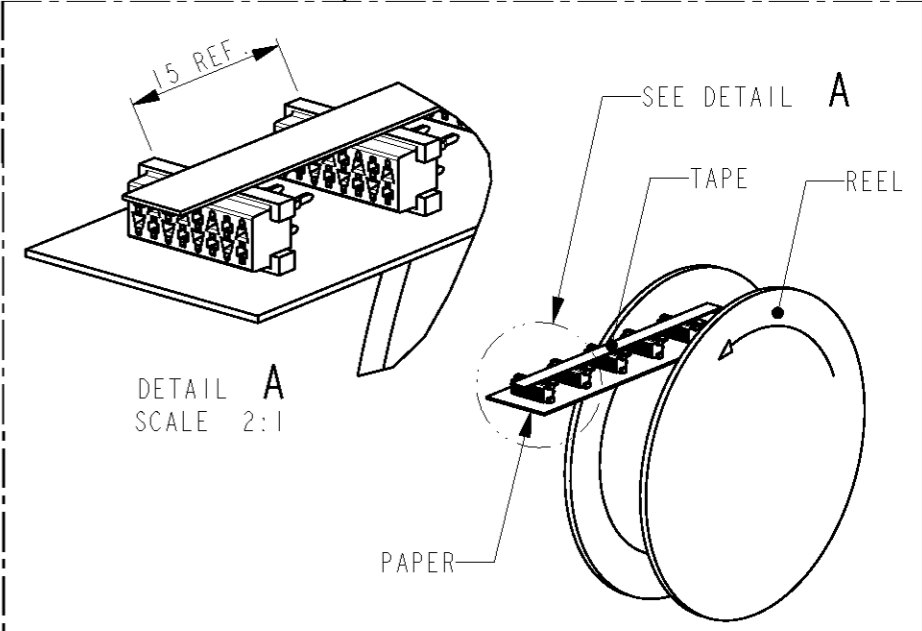


SECTION A-A



NOTES:

- 1 IN EACH ROW, DIRECTION OF KINKS STARTS RANDOM. IN EACH ROW, SEQUENTIAL CONTACTS HAVE OPPOSITE KINK DIRECTIONS.
- 2 CORING-OUTS FOR MANUFACTURING PURPOSE ONLY. SHAPE MAY VARY, BUT IS NOT FUNCTIONAL FOR THE APPLICATION.
- 3 SHOWN IS A 10 POSITION CONNECTOR.



DETAIL A  
SCALE 2:1

REEL PACKAGING  
DEREELING DIRECTION AND CONNECTOR POSITION  
2500 CONNECTORS PER REEL FOR ALL PARTNUMBERS

2	FEMALE HOUSING	G.F. POLYESTER PBT	RED
1	FEMALE CONTACT	PHOSPHOR BRONZE	TIN OVER NICKEL
ITEM NO.	COMPONENT DESCRIPTION	MATERIAL	FINISH / COLOR

DIMENSIONS: mm		TOLERANCES UNLESS OTHERWISE SPECIFIED: 0 PLC ± 1 PLC ± 2 PLC ± 3 PLC ± 4 PLC ± ANGLES ±		DWN M. GOSSELINK			
MATERIAL SEE TABLE		FINISH SEE TABLE		CHK -			
APVD -		PRODUCT SPEC 108-19052		APVD -		SIZE A3	
APPLICATION SPEC -		WEIGHT -		CUSTOMER DRAWING		CAGE CODE 00779	
SCALE 5:1		SHEET 1 OF 1		DRAWING NO C=215079		RESTRICTED TO -	
REV W1							