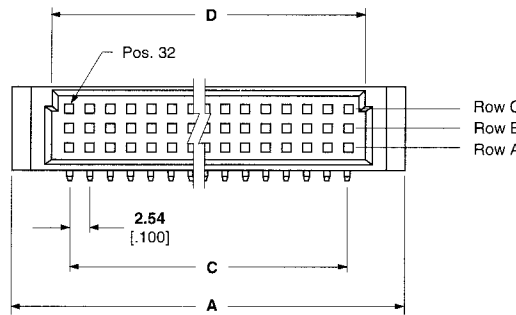
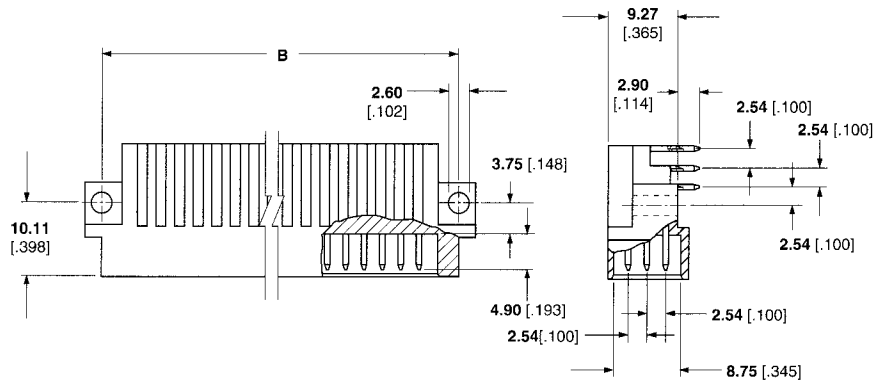
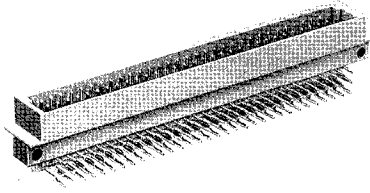


Type C Right Angle Pin Assemblies with ACTION PIN Posts for PC Board Mount (0.64 [.025] Square)



Material

Housing — Glass filled polymer
Contacts — Copper alloy

Related Product Data

- DIN Performance Levels** — Page 6
- Performance Specifications** — Page 7
- MFBL Capability** — Pages 12, 13
- Mateable Connectors** — Pages 20, 21, 23, 24, 29-31, 55
- PC Board Hole Layout** — Page 58
- Accessories** — Pages 64, 67, 68
- ACTION PIN Contacts** — Pages 70, 71
- Application Tooling** — Pages 72, 73
- Technical Documents** — Page 74:
DIN Specification 41612
IEC Specification 60603-2
Application Specification 114-9014
Instruction Sheet 408-6927

Standard Size (for 1.57 [.062] Min. PC Board Thickness)

| Number of Positions | Rows Loaded | Dimensions | | | | DIN Level | Part Number |
|---------------------|-------------|----------------|----------------|----------------|----------------|-----------|-------------|
| | | A | B | C | D | | |
| 96 | A,B,C | 93.70 3.689 | 88.90 3.500 | 78.74 3.100 | 85.29 3.358 | II | 215605-4 |

Half Size (for 1.57 [.062] Min. PC Board Thickness)

| Number of Positions | Rows Loaded | Dimensions | | | | DIN Level | Part Number |
|---------------------|-------------|----------------|----------------|----------------|----------------|-----------|-------------|
| | | A | B | C | D | | |
| 48 | A,B,C | 53.34 2.100 | 48.26 1.900 | 38.10 1.500 | 44.65 1.758 | II | 216398-4 |
| 32 | A,C | 53.34 2.100 | 48.26 1.900 | 38.10 1.500 | 44.65 1.758 | II | 106276-4 |

Connectors on this page are toolless (flat rock).

Type C Assemblies