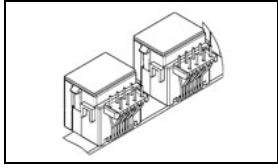


216446-1 Product Details



216446-1

TE Internal Number: 216446-1



PCB Mounted Jacks - Single Port, Multi-port and Stacked

 [Converted to EU RoHS/ELV Compliant](#)

(Statement of Compliance)

Product Highlights:

- Connector
- Preloaded
- Single Port Configuration
- 1 x 1 Jack Configuration
- Jack Type = RJ25

Documentation & Additional Information

Product Drawings:

- [MODULAR JACK, 6 POS BOTTOM ENTRY VERSION FOR PRINTED...](#) (PDF, English)

Catalog Pages/Data Sheets:

- [1-1773464-9_MODULAR JACKS_SINGLE_PORT_PCB_MOUNT](#) (PDF, English)
- [82066 - Modular Jacks and MRJ21 Product catalog - Si...](#) (PDF, English)

Product Specifications:

- None Available

Application Specifications:

- None Available

Instruction Sheets:

- None Available

CAD Files: [\(CAD Format & Compression Information\)](#)

- [2D Drawing](#) (DXF, Version R)
- [3D Model](#) (IGES, Version R)
- [3D Model](#) (STEP, Version R)

Additional Information:

- [Product Line Information](#)

Related Products:

- [Tooling](#)

Product Features (Please use the Product Drawing for all design activity)

Product Type Features:

- Product Type = Connector
- Jack Type = RJ25
- PCB Mounting Orientation = Bottom Entry (Vertical)
- PCB Mount Style = Through Hole
- Termination Method to PC Board = Solder
- Performance Category = Cat 3
- LED = Without
- Grounding Options = Without
- Panel Stops = Without
- Keyed = No
- Profile = Low
- Color = Black
- Latch Style = Standard

Mechanical Attachment:

- Panel Mount Retention = With
- Flanged = No

Electrical Characteristics:

- Shielded = No

Termination Features:

- Solder Tail Contact Plating = Tin-Lead over Nickel

Dimensions:

- Height (mm [in]) = 12.00 [0.472]
- PCB Tail Length (mm [in]) = 2.79 [0.110]
- PCB Thickness, Recommended (mm [in]) = 1.57 [0.062]

Body Features:

- Inverted Jack Face = No

Contact Features:

- Contact Plating, Mating Area, Material = Gold Flash over Palladium Nickel
- Contact Base Material = Phosphor Bronze

Housing Features:

- Housing Material = High Temperature Nylon
- UL Flammability Rating = UL 94-HB

Configuration Features:

- Preloaded = Yes
- Port Configuration = Single
- Jack Configuration = 1 x 1
- Number of Positions = 6
- Number of Contacts Loaded = 6

Industry Standards:

- RoHS/ELV Compliance = RoHS compliant, ELV compliant
- Lead Free Solder Processes = Wave solder capable to 260°C, Wave solder capable to 240°C, Wave solder capable to 265°C
- RoHS/ELV Compliance History = Converted to comply with RoHS directive

Packaging Features:

- Packaging Method = Tape Mounted on Reel
- Packaging Quantity = 700 Pieces (per 60 cm diameter reel)

Product Availability:

- Region = Asia, North America

Other:

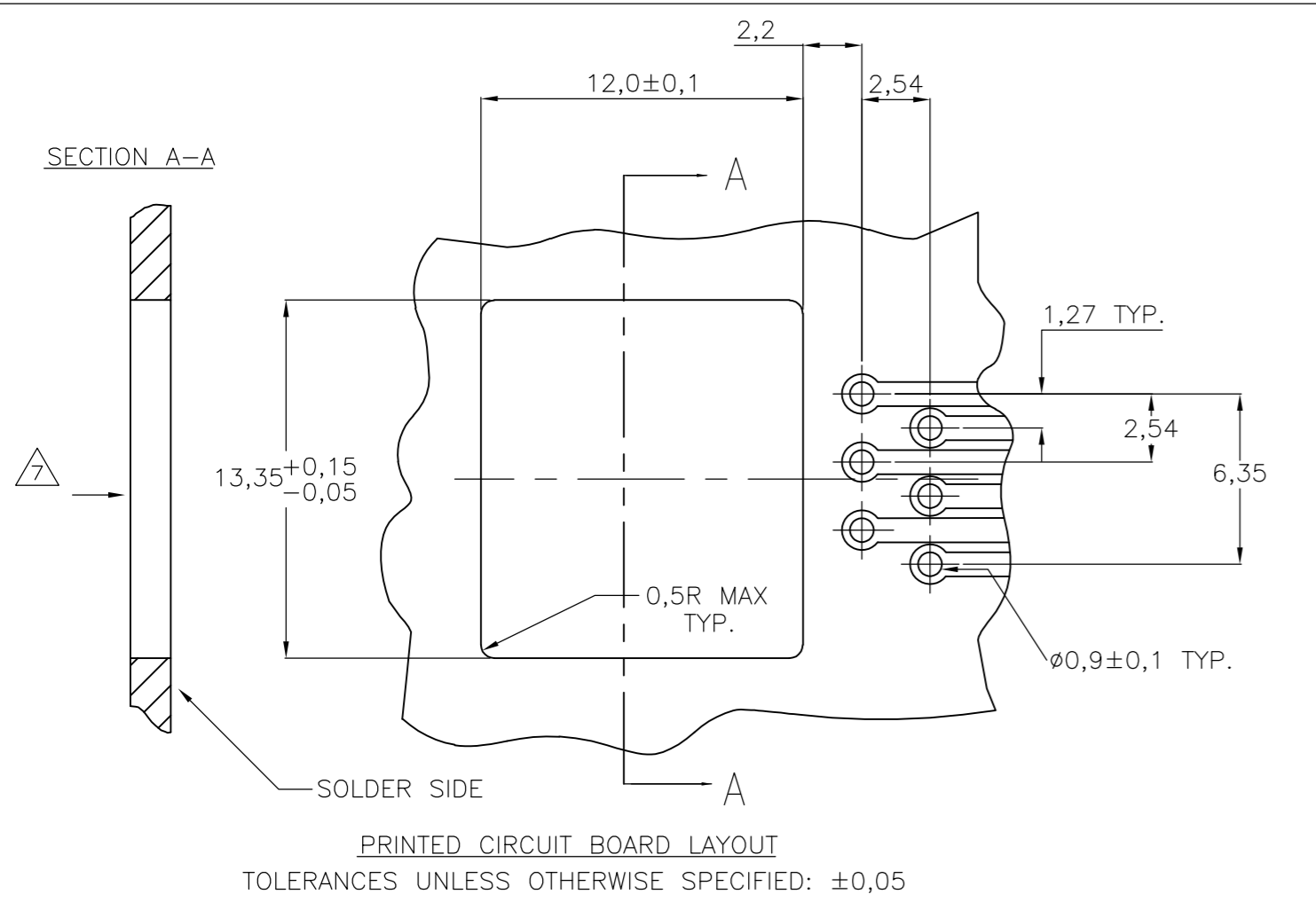
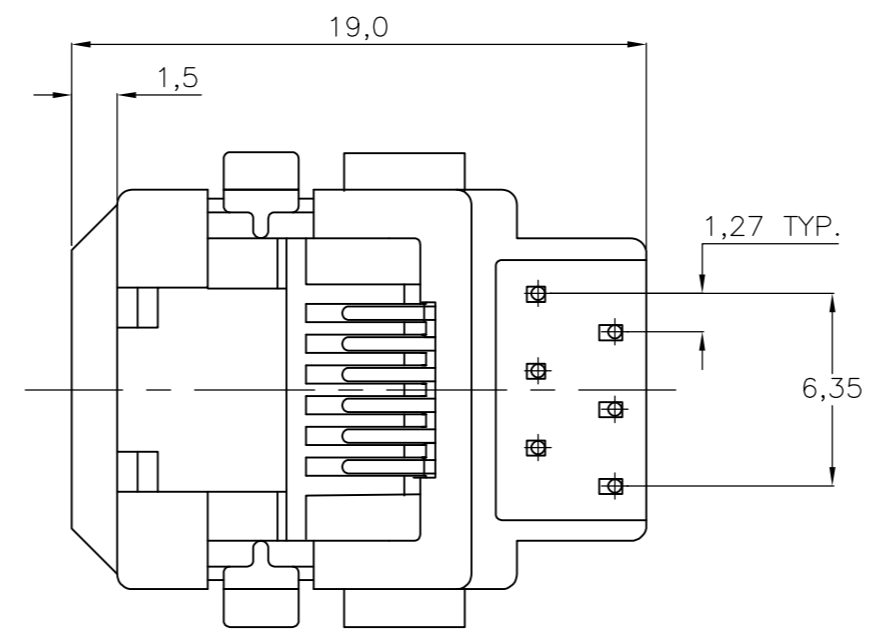
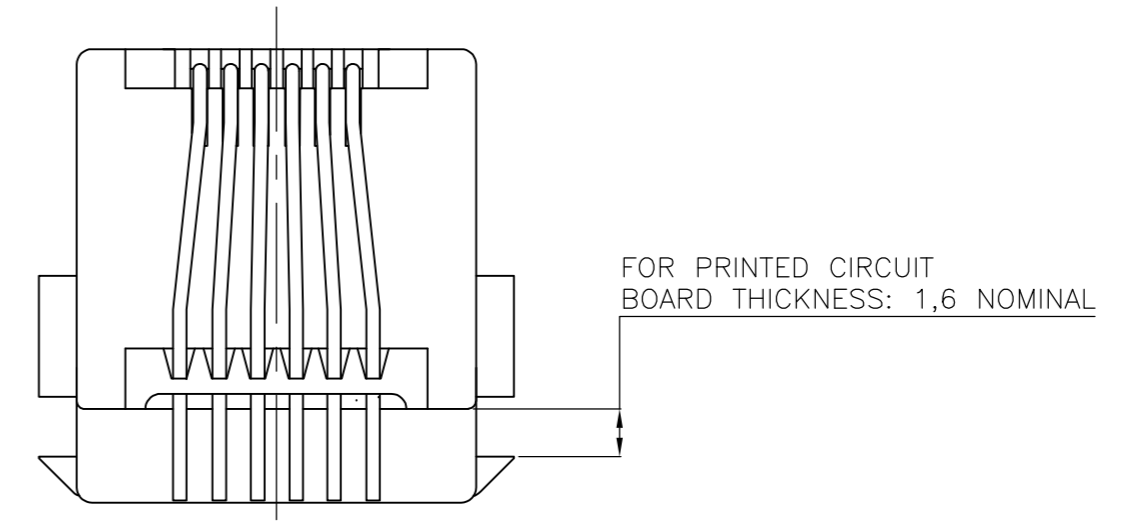
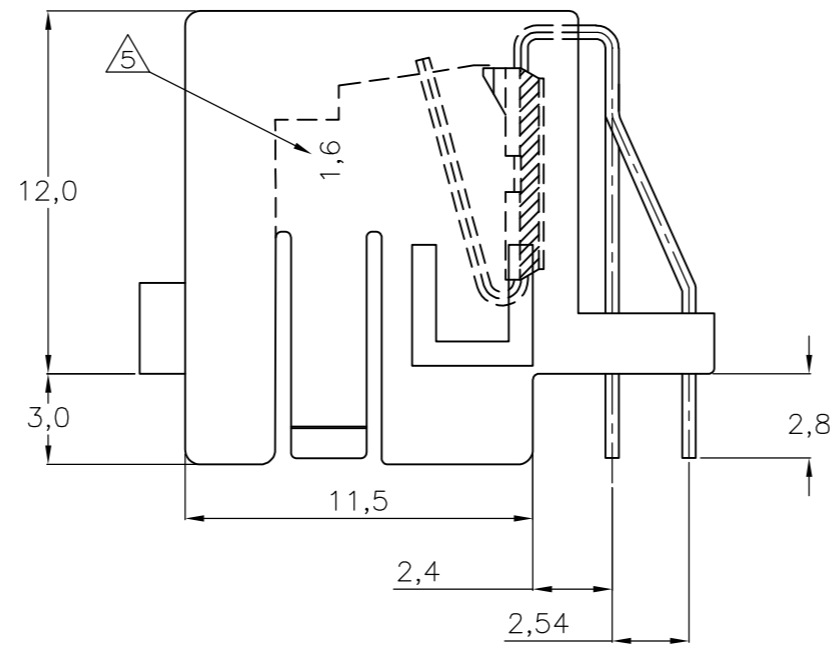
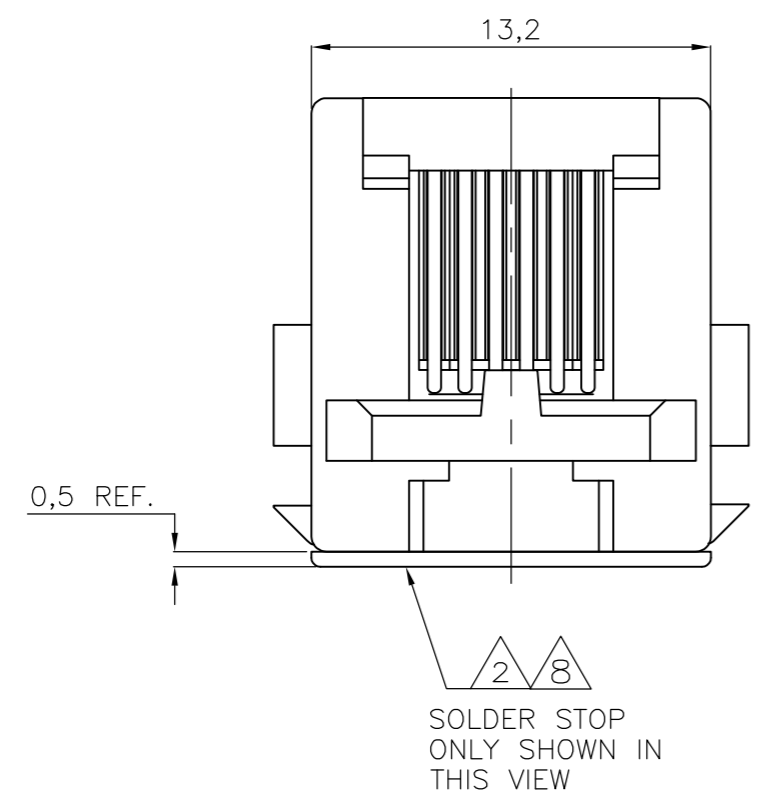
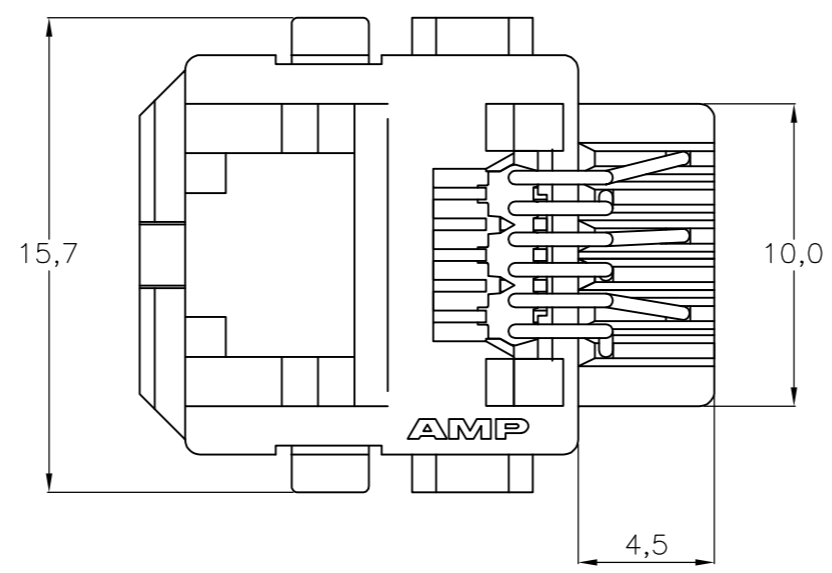
- Brand = AMP

THIS DRAWING IS UNPUBLISHED. RELEASED FOR PUBLICATION
 © COPYRIGHT - By - ALL RIGHTS RESERVED.

LOC	DIST	REVISIONS					
		P	LTR	DESCRIPTION	DATE	DWN	APVD
H	-	R		EH-1477-98	14-09-98	EVE	-
		R1		ECR-08-012368	06-11-08	AEG	WRV
		R2		ECR-10-022530	07JAN11	KK	HMR

NOTES:

1. TOLERANCES UNLESS OTHERWISE SPECIFIED: $\pm 0,15$.
2. MODULAR JACK P.N. 216446-1, 216446-2, 3-216446-1 AND 3-216446-2 ARE DELIVERED WITH PLASTIC SOLDER STOP INSTALLED, TO PREVENT SOLDER ENTERING THE JACK. REMOVE SOLDER STOP AFTER SOLDERING.
3. FOR PERFORMANCE REQUIREMENTS SEE TE PRODUCT SPECIFICATION 108-19064.
4. FOR APPLICATION REQUIREMENTS SEE TE APPLICATION SPECIFICATION 114-19019.
5. MOLDED-IN CHARACTER "1,6" MEANS FOR 1,6mm PRINT THICKNESS.
6. FOR PACKAGING SEE SHEET 2.
7. PREFERRED DIRECTION FOR STAMPING OF HOLE TO OBTAIN A BROKEN EDGE AT JACK ENTRY SIDE.
8. TRUE POSITIONING OF THE SOLDER TINES MAY BE AFFECTED BY BULK PACKAGING. THE SOLDER STOP COULD BE LOOSENED DURING TRANSPORT.



	DESCRIPTION	FINISH	MATERIAL	PARTNUMBER
⚠	BULK PACKAGED 500 pcs/BOX	6 POS./4 CONTACTS WITH SOLDER STOP	CONTACTS: 1,25µm MIN. GOLD OVER HOUSING: 20% G.F. NYLON	3-216446-2
⚠	BULK PACKAGED 1000 pcs/BOX	6 POS./6 CONTACTS WITH SOLDER STOP	CONTACTS: 1,25µm MIN. NICKEL IN CONTACT AREA HOUSING: COLOR: BLACK UL 94-HB	3-216446-1
OBSOLETE ⚠	700 pcs ON A .60 cm DIA REEL	6 POS./4 CONTACTS WITH SOLDER STOP	CONTACTS: 2µm MIN. TIN LEAD OVER 1,25µm MIN. HOUSING: PHOS. BRONZE	-216446-2-
⚠	700 pcs ON A Ø60 cm DIA. REEL	6 POS./6 CONTACTS WITH SOLDER STOP	CONTACTS: NICKEL ON SOLDER TINES. HOUSING: PHOS. BRONZE	216446-1

THIS DRAWING IS A CONTROLLED DOCUMENT.

DIMENSIONS: mm	TOLERANCES UNLESS OTHERWISE SPECIFIED:	DWN: M.V.ESSEN	29NOV95
0 PLC ± -	1 PLC ± -	CHK: W.BRUMMANS	
2 PLC ± -	3 PLC ± -	APVD: C.V.TILBURG	
4 PLC ± -	ANGLES ± -	PRODUCT SPEC	
MATERIAL: -	FINISH: -	APPLICATION SPEC	
		WEIGHT: -	
		CUSTOMER DRAWING	

TE TE Connectivity

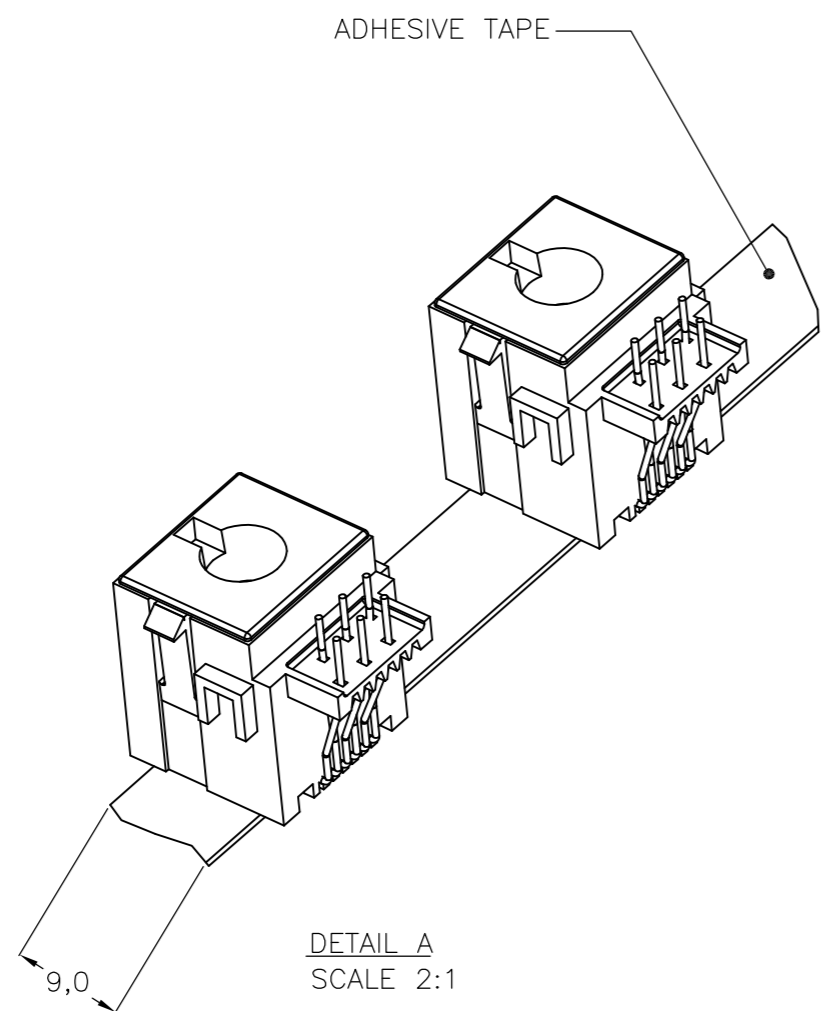
MODULAR JACK, 6 POS
 BOTTOM ENTRY VERSION
 FOR PRINTED CIRCUIT BOARD MOUNTING

SIZE: A2	CAGE CODE: 00779	DRAWING NO: C=216446	RESTRICTED TO: -
SCALE: NTS	SHEET: 1 of 2	REV: R2	

216446

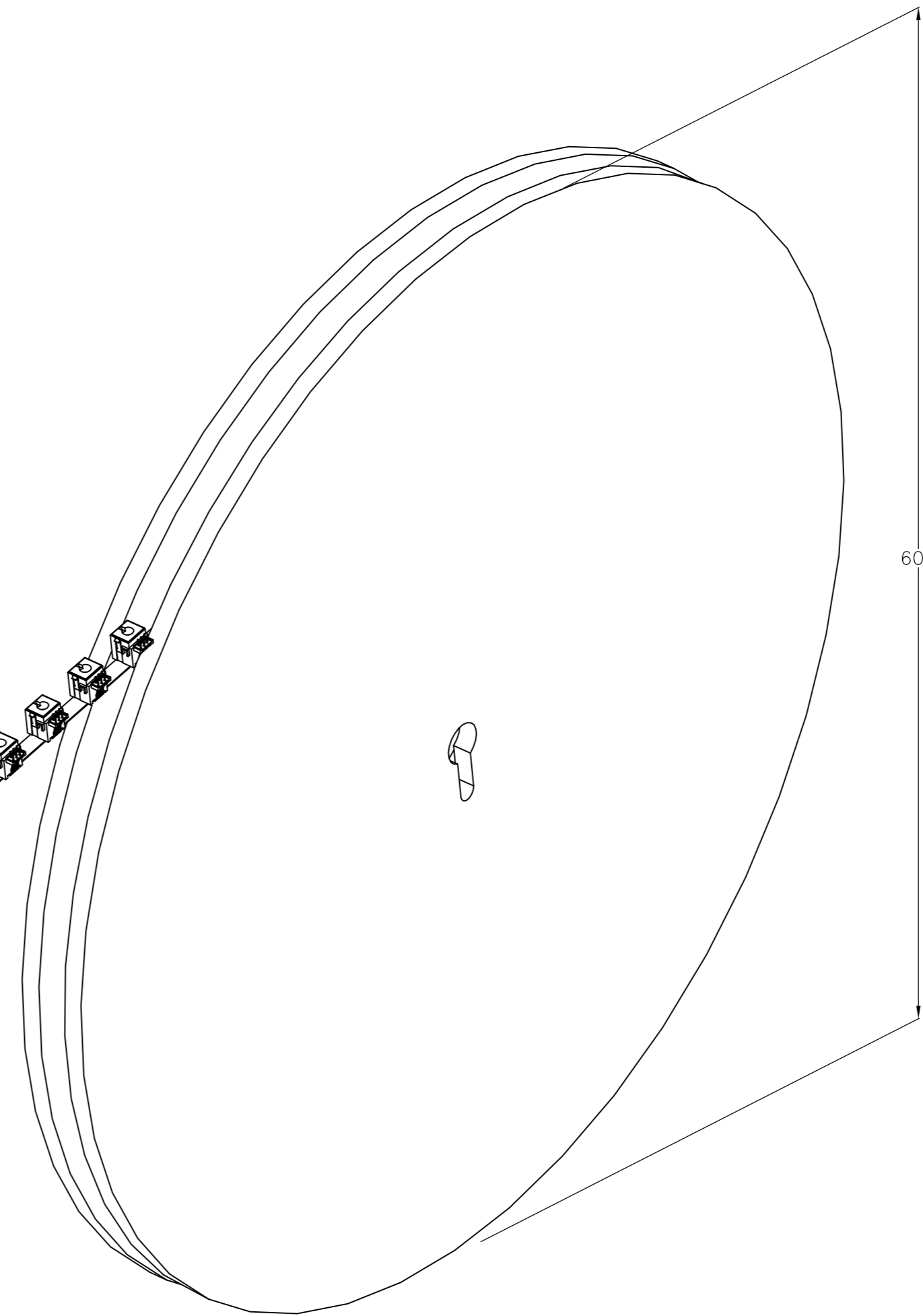
THIS DRAWING IS UNPUBLISHED. RELEASED FOR PUBLICATION
 © COPYRIGHT - By - ALL RIGHTS RESERVED.

LOC	DIST	REVISIONS					
H	-	P	LTR	DESCRIPTION	DATE	DWN	APVD
		-	-	SEE SHEET 1	-	-	-



SEE DETAIL A

REEL-OFF DIRECTION



THIS DRAWING IS A CONTROLLED DOCUMENT.		DWN	19DEC96				
DIMENSIONS: mm		CHK	F.V.EIJK			NAME	
TOLERANCES UNLESS OTHERWISE SPECIFIED:		APVD	W.BRUMMANS			MODULAR JACK, 6 POS., BOTTOM ENTRY VERSION PACKAGING	
0 PLC ± - 1 PLC ± - 2 PLC ± - 3 PLC ± - 4 PLC ± - ANGLES ± -		PRODUCT SPEC	R.SMEETS			RESTRICTED TO	
MATERIAL		APPLICATION SPEC	-	SIZE	CAGE CODE	DRAWING NO	REV
FINISH		WEIGHT	-	A2	00779	C=216446	-
CUSTOMER DRAWING				SCALE	NTS	SHEET	2 OF 2
							REV R2