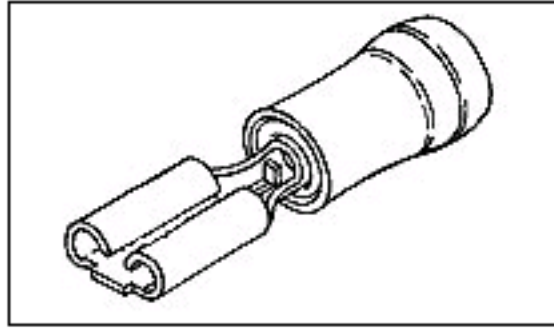




Search bar: What can we help you find?

## 2-165565-1 Product Details

Share | Print | Email



2-165565-1

TE Internal Number: 2-165565-1

Active

### Quick Disconnect Receptacles - Insulated

Always EU RoHS/ELV Compliant (Statement of Compliance)

#### Product Highlights:

- Proprietary Name = PIDG FASTON
- Receptacle Style = Straight
- Wire Range = 0.30-1.50<sup>2</sup> [22-15] mm [AWG]
- Mating Area Interface Dimensions = 2.79 x 0.51 mm
- Insulation Diameter = 3.56 [.140] Max. mm [in]

[View all Features](#)

#### Quick Links

- ▶ [Pricing & Availability](#)
- ▶ [Search for Tooling](#)
- ▶ [Product Feature Selector](#)
- ▶ [Contact Us About This Product](#)

[Add to My Part List](#) [Request Sample](#) [Find Similar Products](#) [Buy Product](#)

### Documentation & Additional Information

<p><b>Product Drawings:</b></p> <ul style="list-style-type: none"> <li>• <a href="#">RECEPTACLE, FASTON, PIDG, .110 SERIES</a> (PDF, English)</li> </ul> <p><b>Catalog Pages/Data Sheets:</b></p> <ul style="list-style-type: none"> <li>• None Available</li> </ul> <p><b>Product Specifications:</b></p> <ul style="list-style-type: none"> <li>• None Available</li> </ul> <p><b>Application Specifications:</b></p> <ul style="list-style-type: none"> <li>• None Available</li> </ul> <p><b>Instruction Sheets:</b></p> <ul style="list-style-type: none"> <li>• None Available</li> </ul> <p><b>CAD Files:</b></p> <ul style="list-style-type: none"> <li>• None Available</li> </ul>	<p><b>Additional Information:</b></p> <ul style="list-style-type: none"> <li>• <a href="#">Product Line Information</a></li> </ul> <p><b>Related Products:</b></p> <ul style="list-style-type: none"> <li>• <a href="#">Tooling</a></li> </ul>
---	--

[List all Documents](#)

### Product Features (Please use the Product Drawing for all design activity)

<p><b>Product Type Features:</b></p> <ul style="list-style-type: none"> <li>• <a href="#">Receptacle Style</a> = Straight</li> <li>• <a href="#">Insertion Force</a> = Normal</li> <li>• <a href="#">Finish</a> = Tin</li> <li>• <a href="#">Dimple Type</a> = Dimple without wire stop</li> <li>• <a href="#">Insulation Support</a> = Insulation Support</li> <li>• <a href="#">Color</a> = Red</li> </ul> <p><b>Electrical Characteristics:</b></p> <ul style="list-style-type: none"> <li>• <a href="#">Voltage (VAC)</a> = 300</li> </ul> <p><b>Dimensions:</b></p> <ul style="list-style-type: none"> <li>• <a href="#">Mating Area Interface Dimensions (mm [in])</a> = 2.79 x 0.51 [.110 x .020]</li> <li>• <a href="#">Insulation Diameter (mm [in])</a> = 3.56 [.140] Max.</li> </ul> <p><b>Body Features:</b></p> <ul style="list-style-type: none"> <li>• <a href="#">Fully Insulated</a> = No</li> <li>• <a href="#">Wire Range (mm [AWG])</a> = 0.30-1.50<sup>2</sup> [22-15]</li> <li>• <a href="#">Material</a> = Brass</li> <li>• <a href="#">Insulation Sleeve Material</a> = Nylon</li> </ul>	<p><b>Industry Standards:</b></p> <ul style="list-style-type: none"> <li>• <a href="#">RoHS/ELV Compliance</a> = RoHS compliant, ELV compliant</li> <li>• <a href="#">Lead Free Solder Processes</a> = Not relevant for lead free process</li> <li>• <a href="#">RoHS/ELV Compliance History</a> = Always was RoHS compliant</li> </ul> <p><b>Packaging Features:</b></p> <ul style="list-style-type: none"> <li>• <a href="#">Packaging Method</a> = Tape Mounted</li> <li>• <a href="#">Packaging Quantity</a> = 1,000</li> </ul> <p><b>Other:</b></p> <ul style="list-style-type: none"> <li>• <a href="#">Proprietary Name</a> = PIDG FASTON</li> <li>• <a href="#">Brand</a> = TE Connectivity</li> </ul>
--	--

#### Corporate Information

- [About TE](#)
- [Investors](#)
- [News Room](#)
- [Supplier Portal](#)
- [Careers](#)
- [Terms & Conditions](#)
- [Privacy Policy](#)

#### Quick Links

- [Distributor Inventory](#)
- [Product Cross Reference](#)
- [Documents & Drawings](#)
- [Product Compliance Support Center](#)
- [Site Map](#)

#### Customer Support

- [Email or Chat With Us](#)
- [Find a Phone Number](#)
- [Knowledge Base](#)
- [Manage Your Account](#)

#### Keep Me Informed

Receive TE News, Events & Technology Updates

Enter your email address

