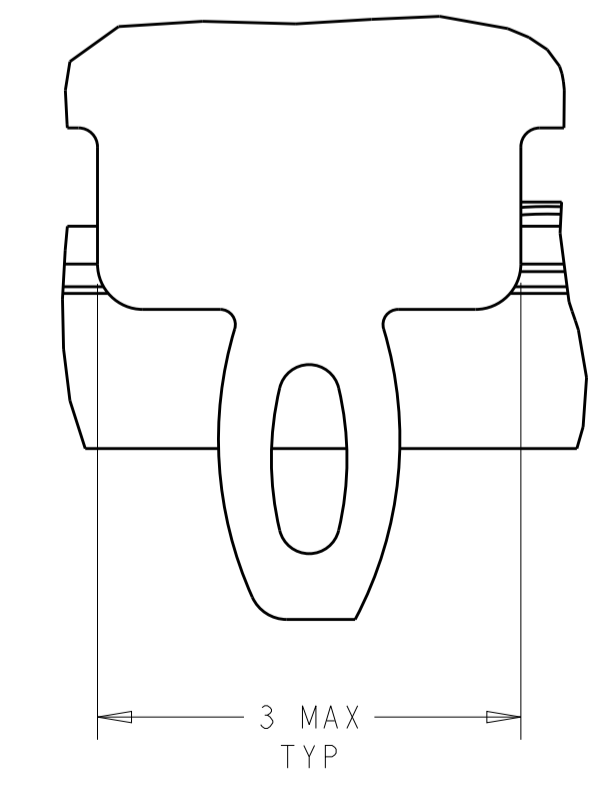
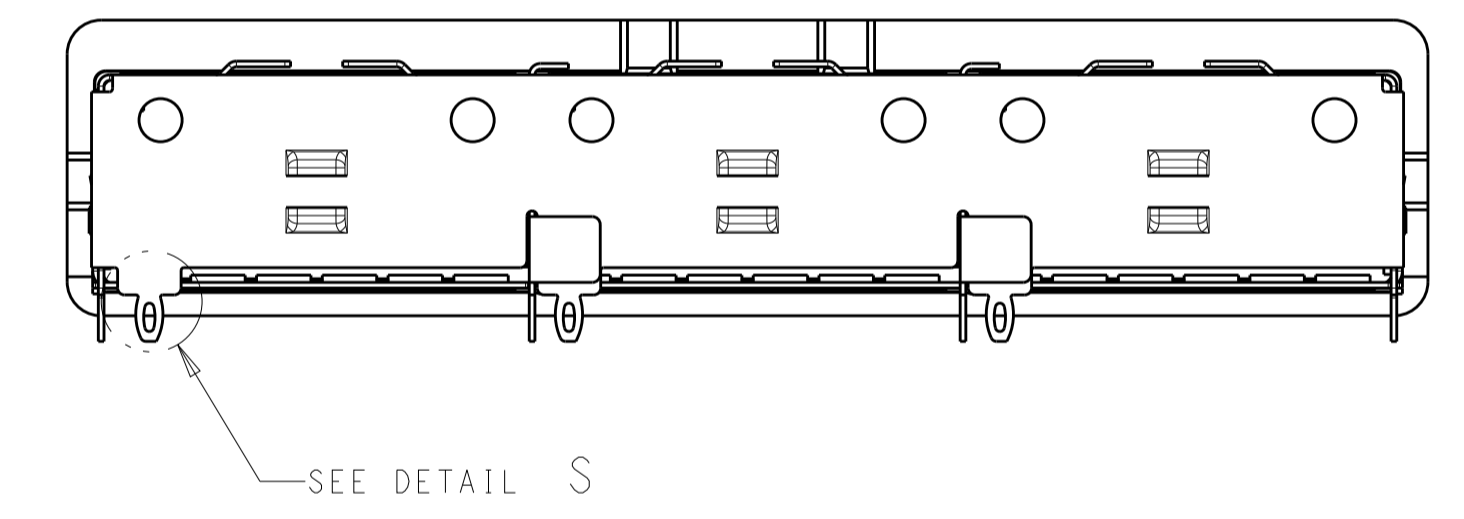
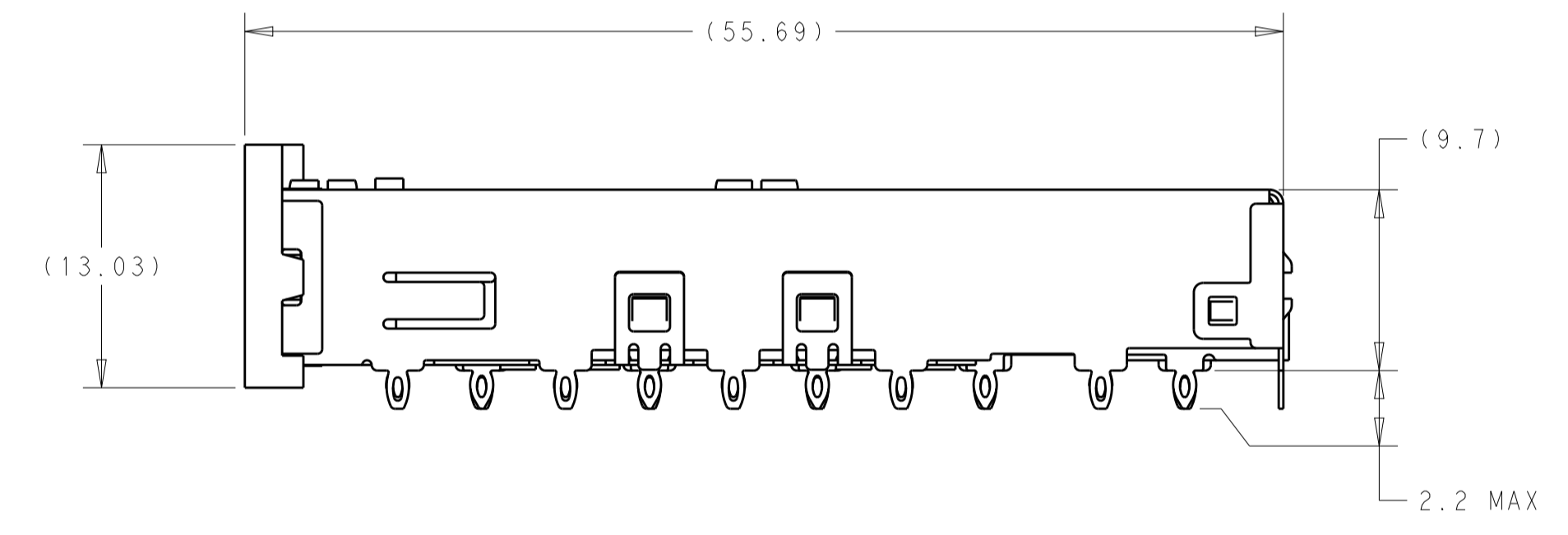
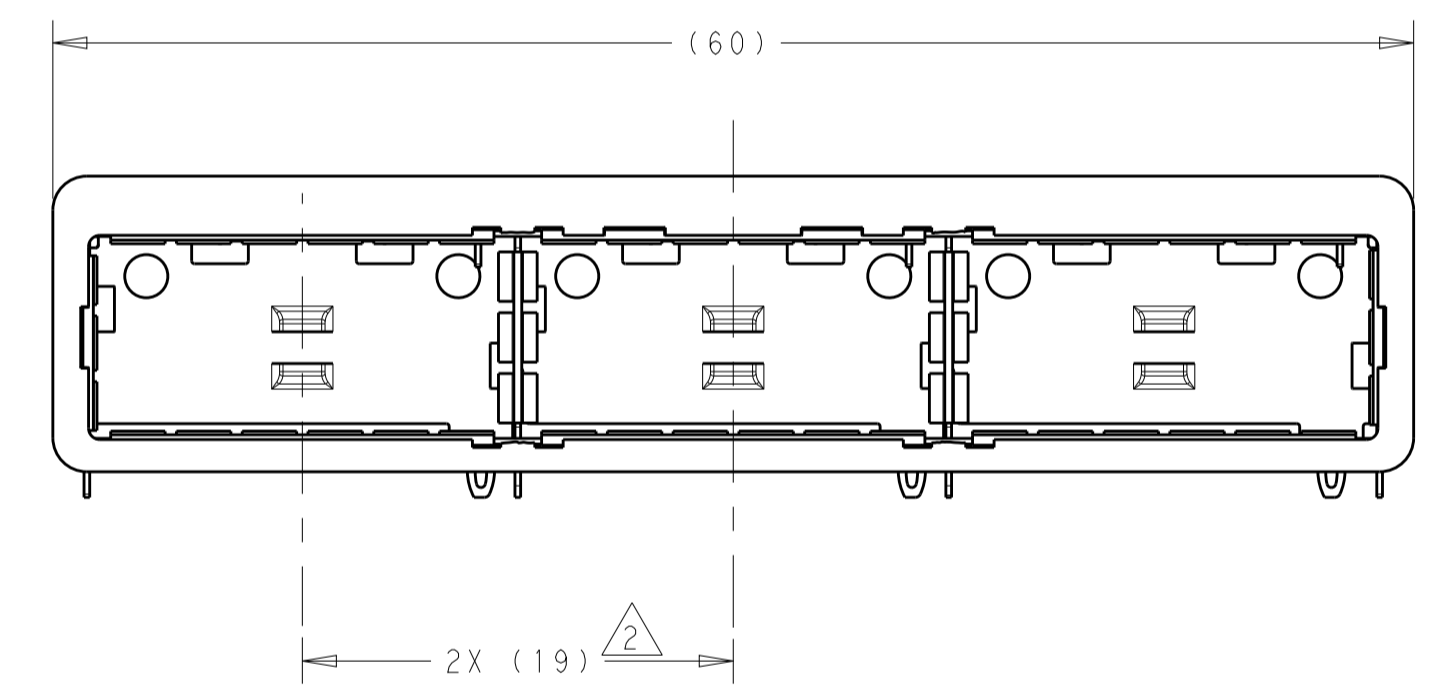
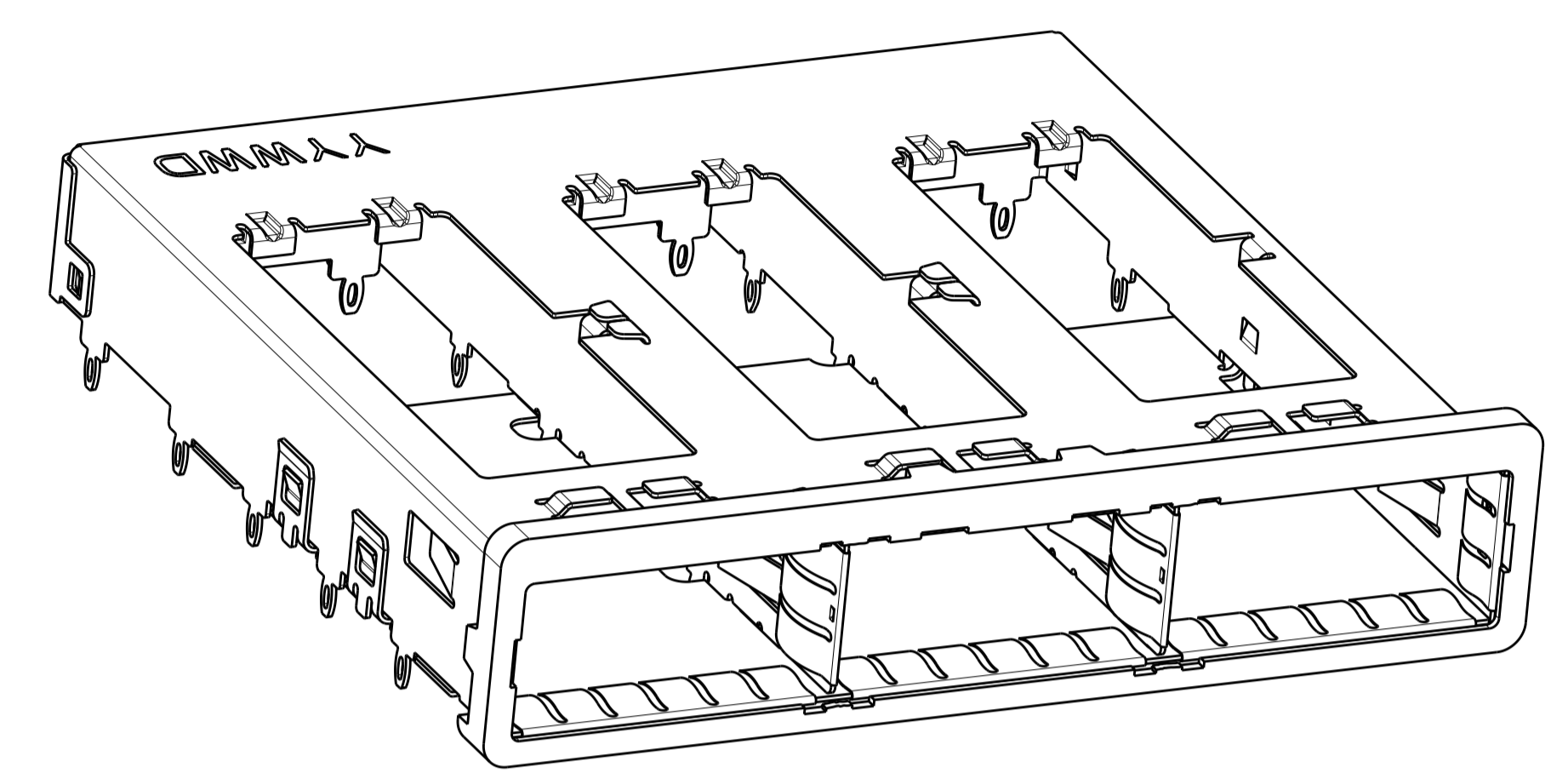
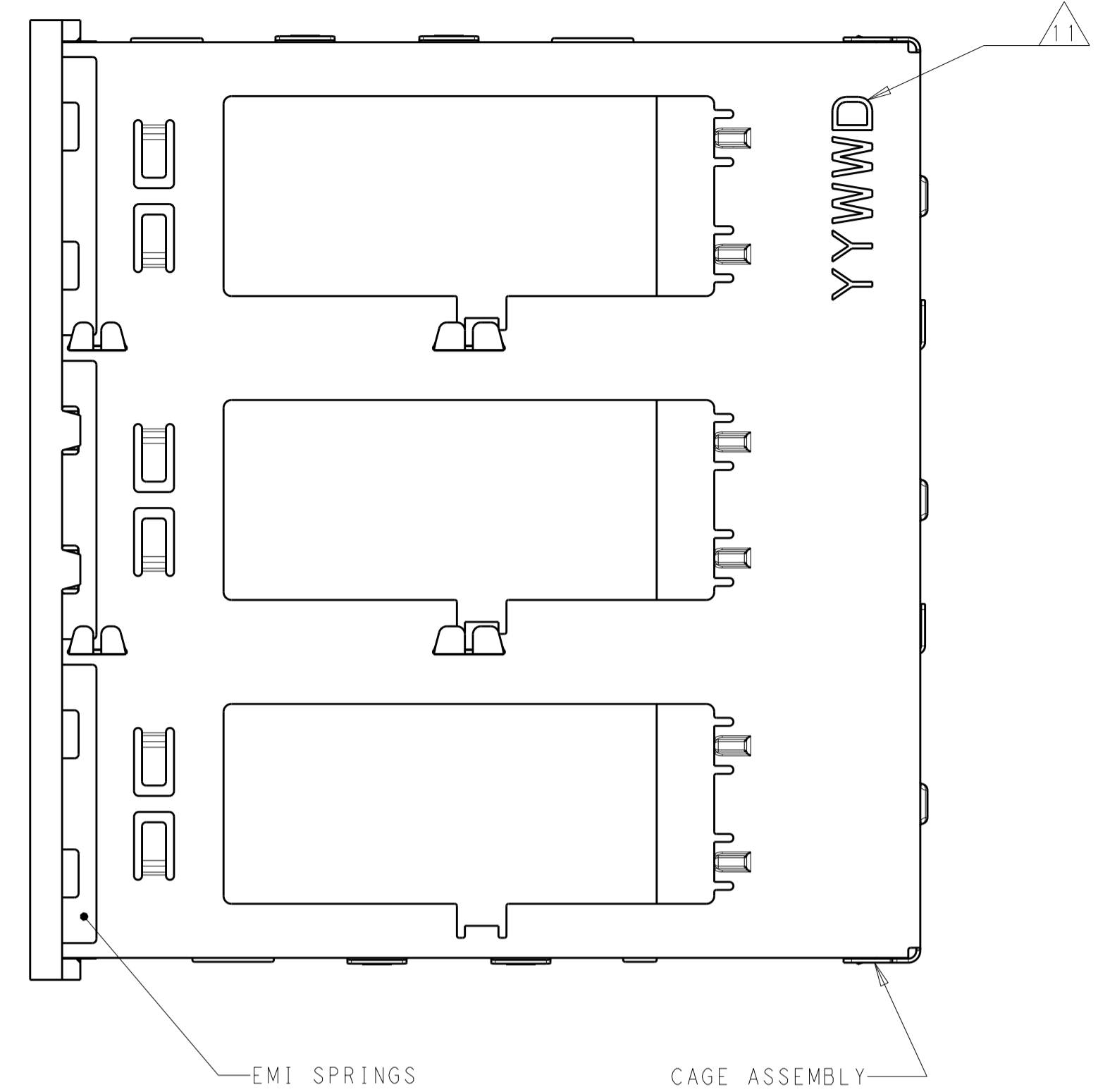
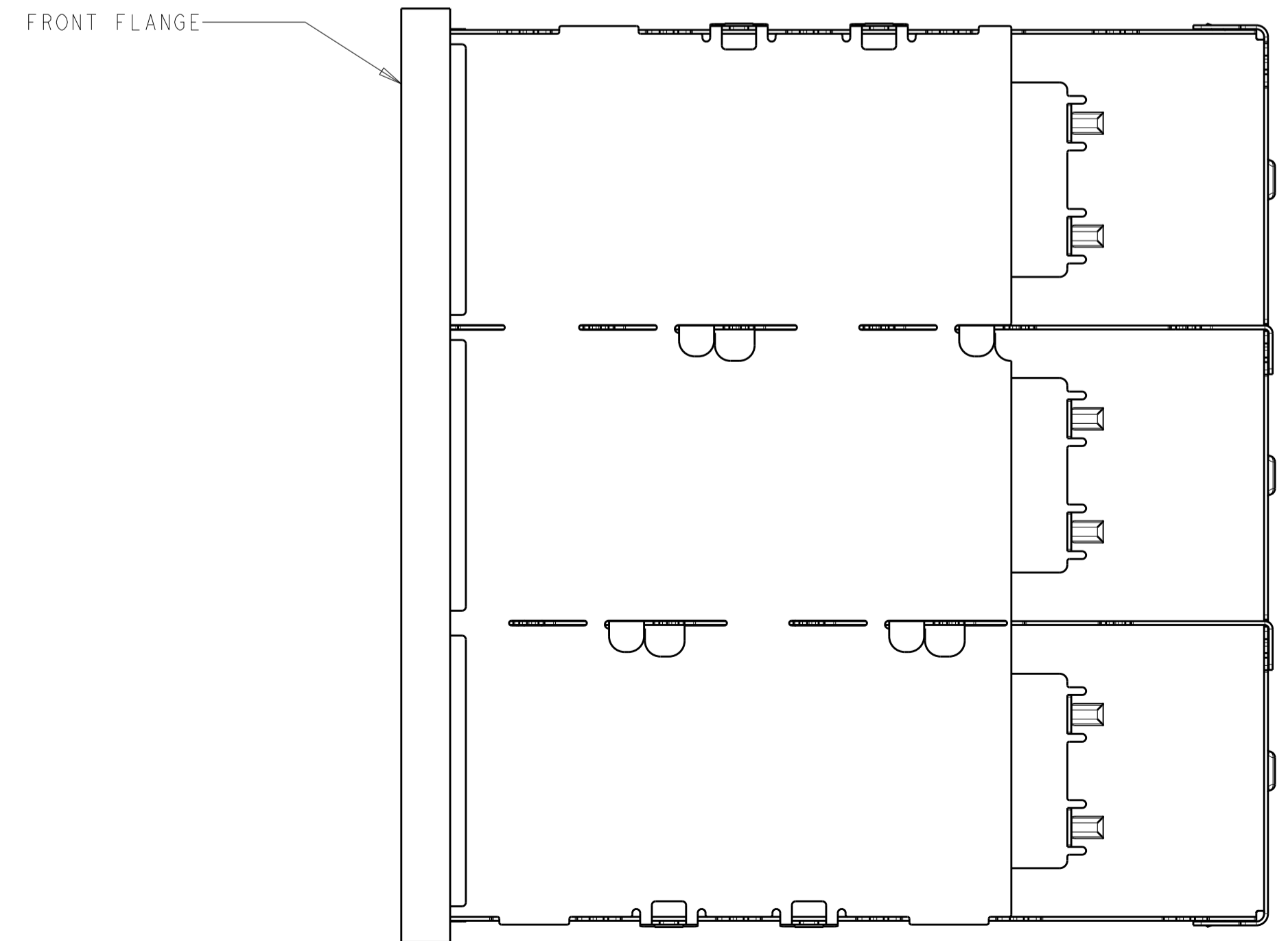


LOC		DIST		REVISIONS			
GP	00	P	LTN	DESCRIPTION	DATE	DWN	APVD
		A		RELEASED PER ECO-12-000076	17JAN2013	CJV	EDB

- △ SURFACE TRACES PERMITTED WITHIN THIS AREA EXCEPT WHERE CAGE STANDOFFS, SHOWN IN DETAIL S, CONTACT PC BOARD.
- △ PITCH BETWEEN PORTS OF ONE 1X3 CAGE ASSEMBLY.
- △ SPACING BETWEEN CAGES ON THE SAME PC BOARD, TO BE SPECIFIED BY CUSTOMER, MUST COMPLY WITH MINIMUM DIMENSIONS SHOWN.
- △ REFERENCE APPLICATION SPEC 114- ---- FOR RECOMMENDED DRILL HOLE DIAMETER AND PLATING THICKNESS.
- △ UNPLATED THRU HOLE.
- △ DATUMS AND BASIC DIMENSIONS ESTABLISHED BY CUSTOMER.
- △ DATUM A IS TOP SURFACE OF PC BOARD.
- △ DIMENSION C IS THE NOMINAL THICKNESS OF CUSTOMER SUPPLIED PC BOARD.
- MINIMUM PC BOARD THICKNESS:
 - SINGLE SIDED = 1.45mm
 - DOUBLE SIDED = 2.2mm
- ⊕ MATES WITH QSFP MSA COMPATIBLE TRANSCEIVER.
- △ BASELINE FOR THESE DIMENSIONS IS THE CENTER OF COMPLIANT PIN HOLE.
- △ DATE CODE (YYWW) MARKED APPROXIMATELY AS SHOWN.
- △ REFERENCE APP SPEC 114- ---- FOR GASKET THICKNESS CALCULATION.
- △ MATERIAL:
 - CAGE ASSEMBLY: NICKEL SILVER, 0.25 THICK
 - EMI SPRINGS: COPPER ALLOY
 - FRONT FLANGE: ZINC ALLOY
- △ FINISH:
 - EMI SPRINGS: 2μm MINIMUM TIN
 - FRONT FLANGE: 3μm MINIMUM TIN OVER 1.27μm MINIMUM NICKEL OVER 5.08μm MINIMUM COPPER.



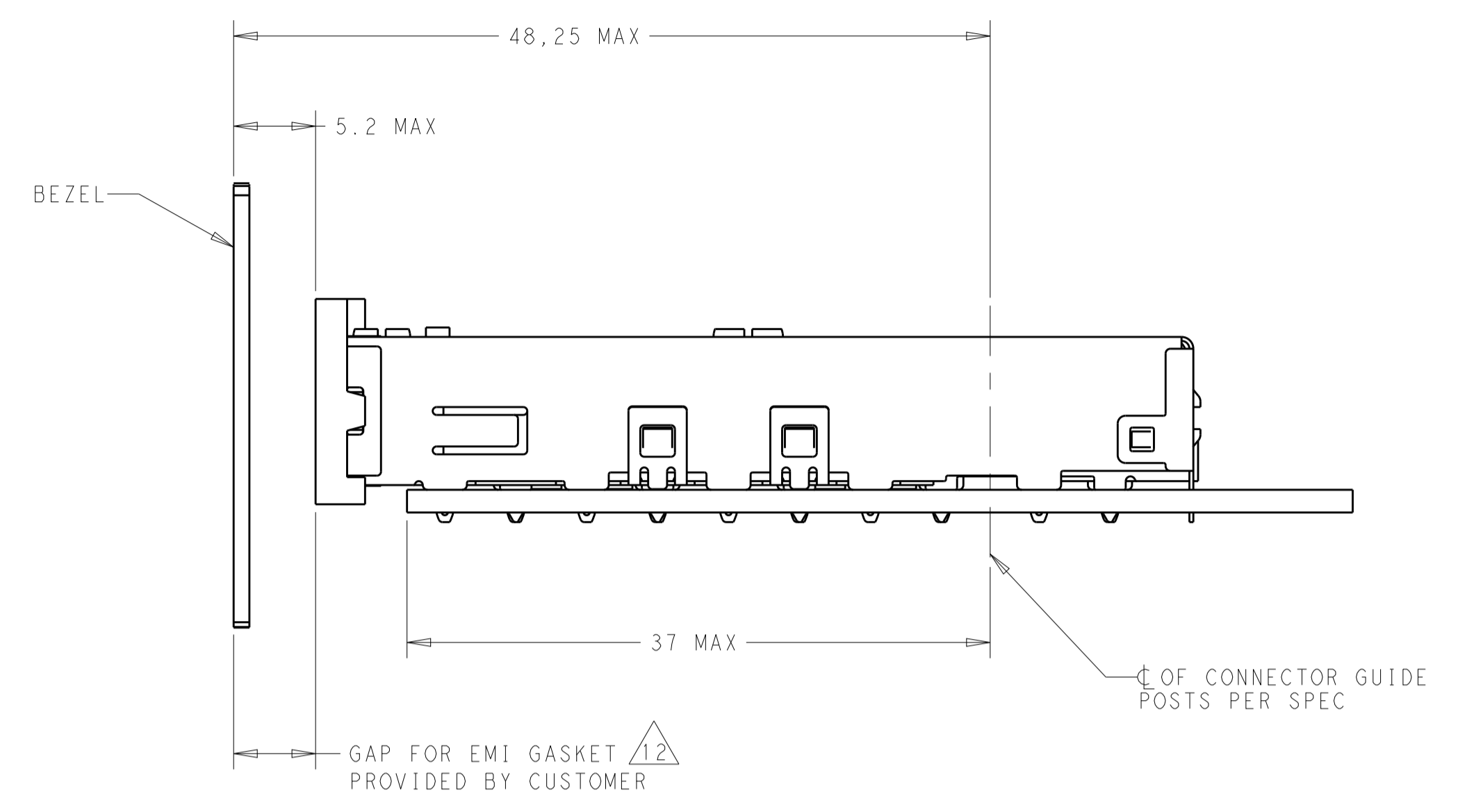
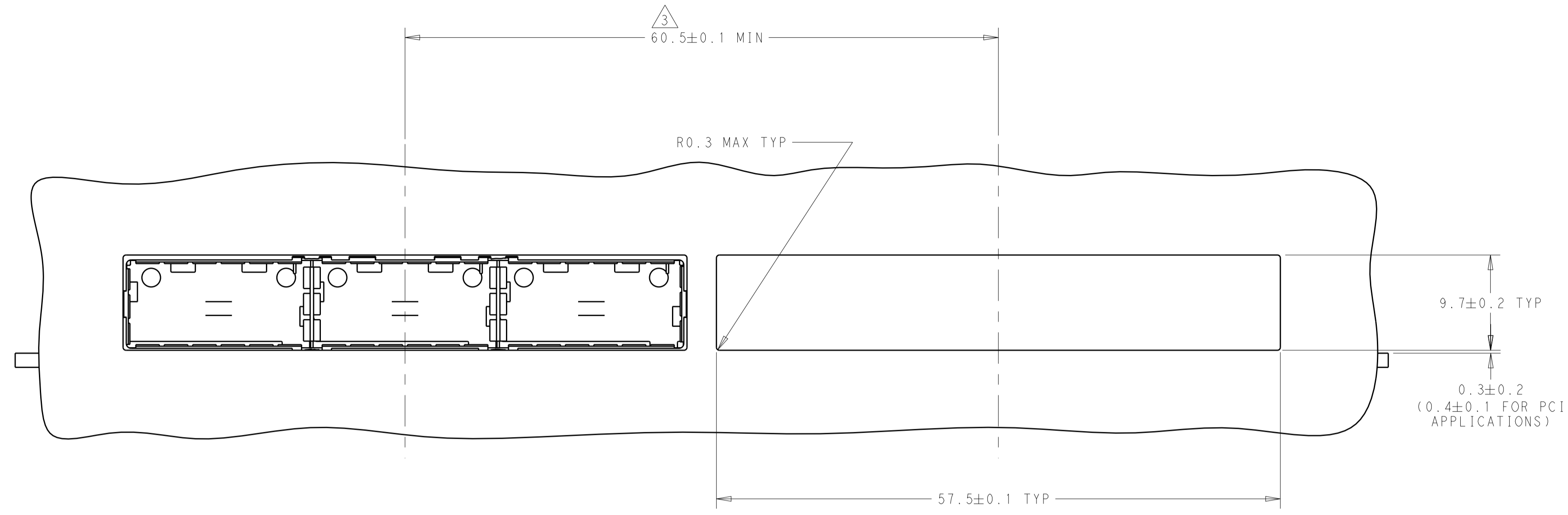
DETAIL S
 SCALE 20:1



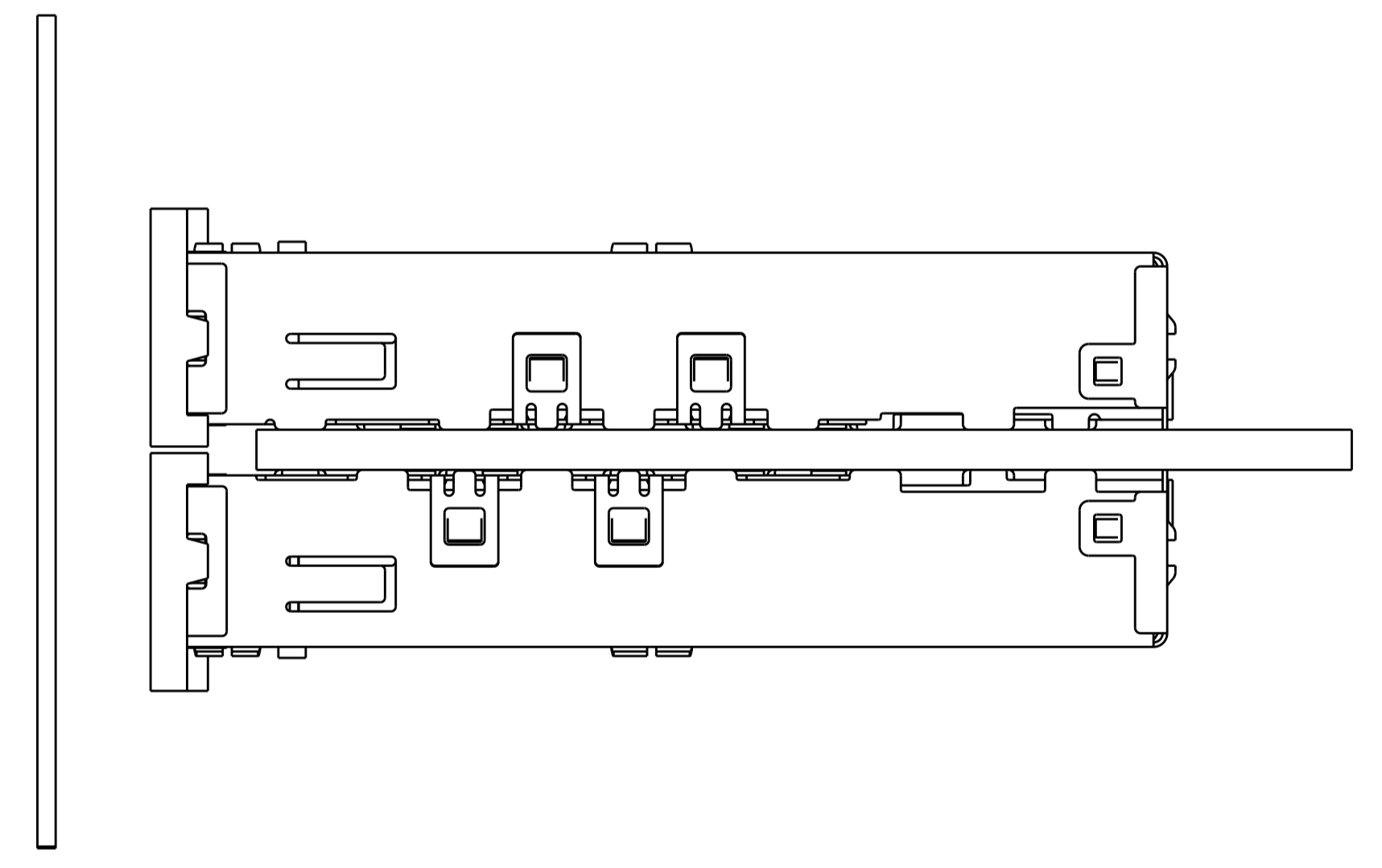
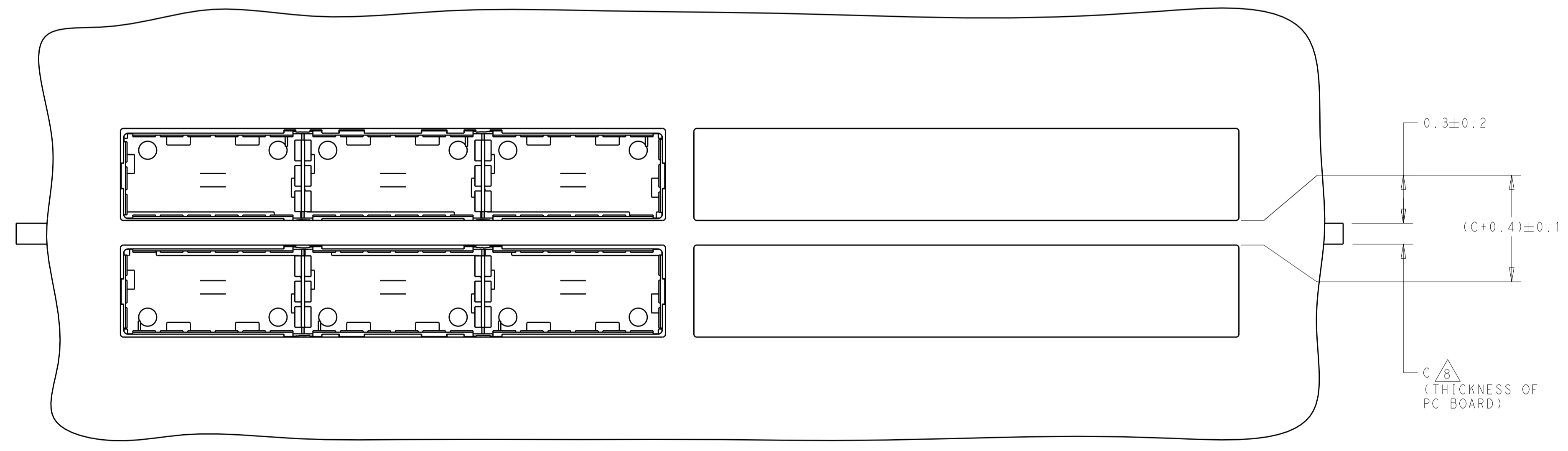
2173238-1
 PART NUMBER

THIS DRAWING IS A CONTROLLED DOCUMENT. DIMENSIONING AND TOLERANCING PER ASME Y14.5M-2009.		DWN J.V.D. HEIJDEN 12AUG2011	TE Connectivity
DIMENSIONS: mm		CHK R. VERBEET 12AUG2011	NAME 1X3 CAGE ASSEMBLY, BEHIND BEZEL, ZQSFP+
TOLERANCES UNLESS OTHERWISE SPECIFIED:		APVD T.D. ROER 15AUG2011	
0 PLC	±	PRODUCT SPEC	SIZE CAGE CODE DRAWING NO
1 PLC	±0.1	APPLICATION SPEC	RESTRICTED TO
2 PLC	±0.1	114- ----	A100779C=2173238
3 PLC	±0.013	114- ----	SCALE 3:1 SHEET 1 OF 4 REV A
4 PLC	±0.0001	114- ----	
ANGLES	±	WEIGHT	
MATERIAL	FINISH	CUSTOMER DRAWING	

LOC		DIST		REVISIONS			
GP	00	P	LTN	DESCRIPTION	DATE	DMN	APVD
-	-	-	-	SEE SHEET 1	-	-	-



ONE SIDED CONFIGURATION
 SCALE 3:1

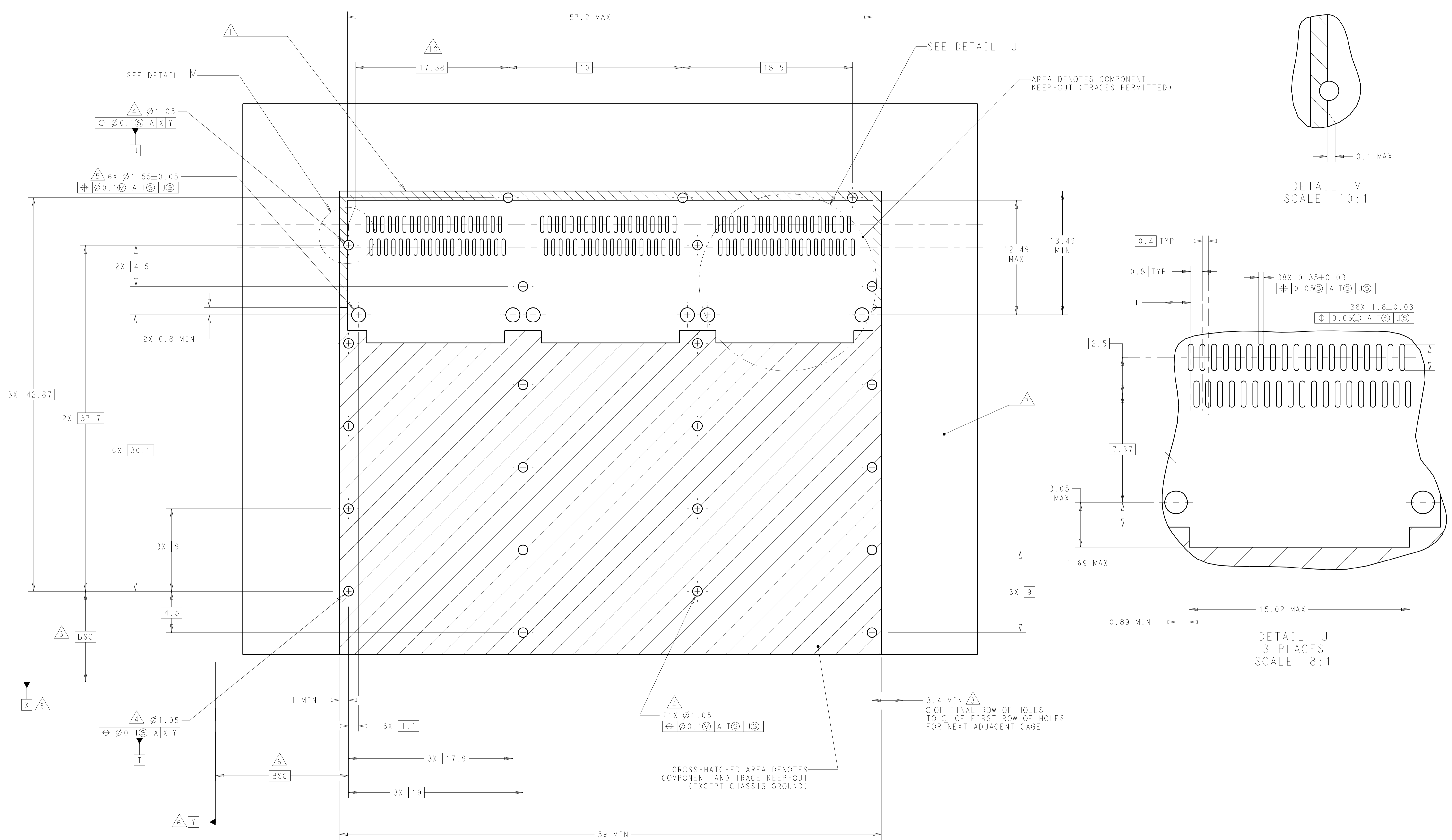


BELLY TO BELLY CONFIGURATION SIMILAR
 TO ONE SIDED EXCEPT WHERE NOTED
 SCALE 3:1

THIS DRAWING IS A CONTROLLED DOCUMENT. DIMENSIONING AND TOLERANCING PER ASME Y14.5M-2009		DMN J.V.D. HEIJDEN 12AUG2011	CHK R. VERBEET 12AUG2011	APVD T.D. ROER 15AUG2011		NAME 1X3 CAGE ASSEMBLY, BEHIND BEZEL, ZQSFP+	
DIMENSIONS:		TOLERANCES UNLESS OTHERWISE SPECIFIED:		PRODUCT SPEC		RESTRICTED TO	
mm	0 PLC ±0.1	1 PLC ±0.1	2 PLC ±0.1	3 PLC ±0.013	4 PLC ±0.0001	ANGLES 114°	FINISH
MATERIAL	WEIGHT		SIZE		CAGE CODE		DRAWING NO
	-		A100779		C=2173238		SCALE 3:1 SHEET 2 OF 4 REV A
CUSTOMER DRAWING							

LOC	DIST	REV	DATE	BY	APPD
GP	00				

REVISIONS					
REV	DATE	BY	APPD	DESCRIPTION	
-	-	-	-	SEE SHEET 1	-

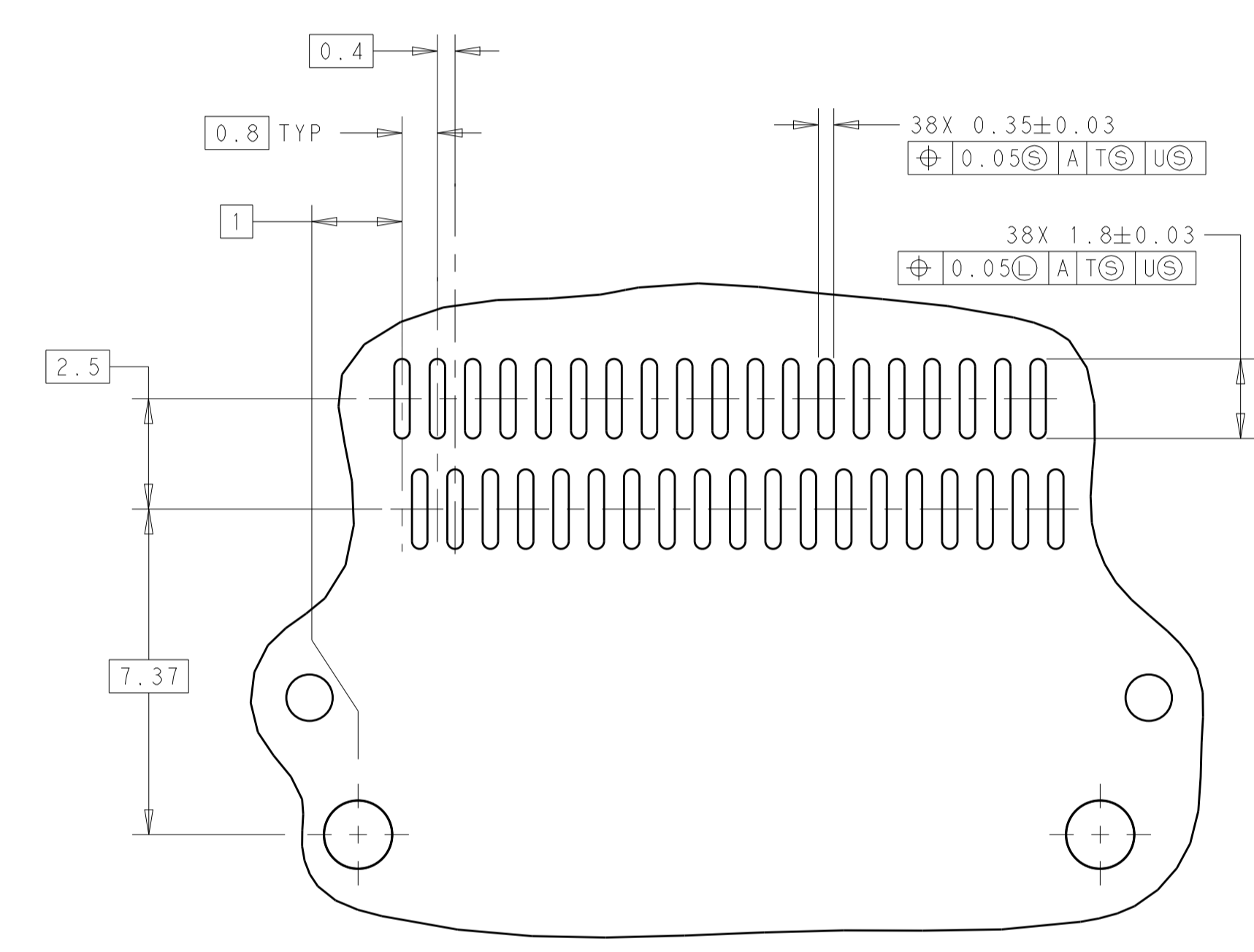
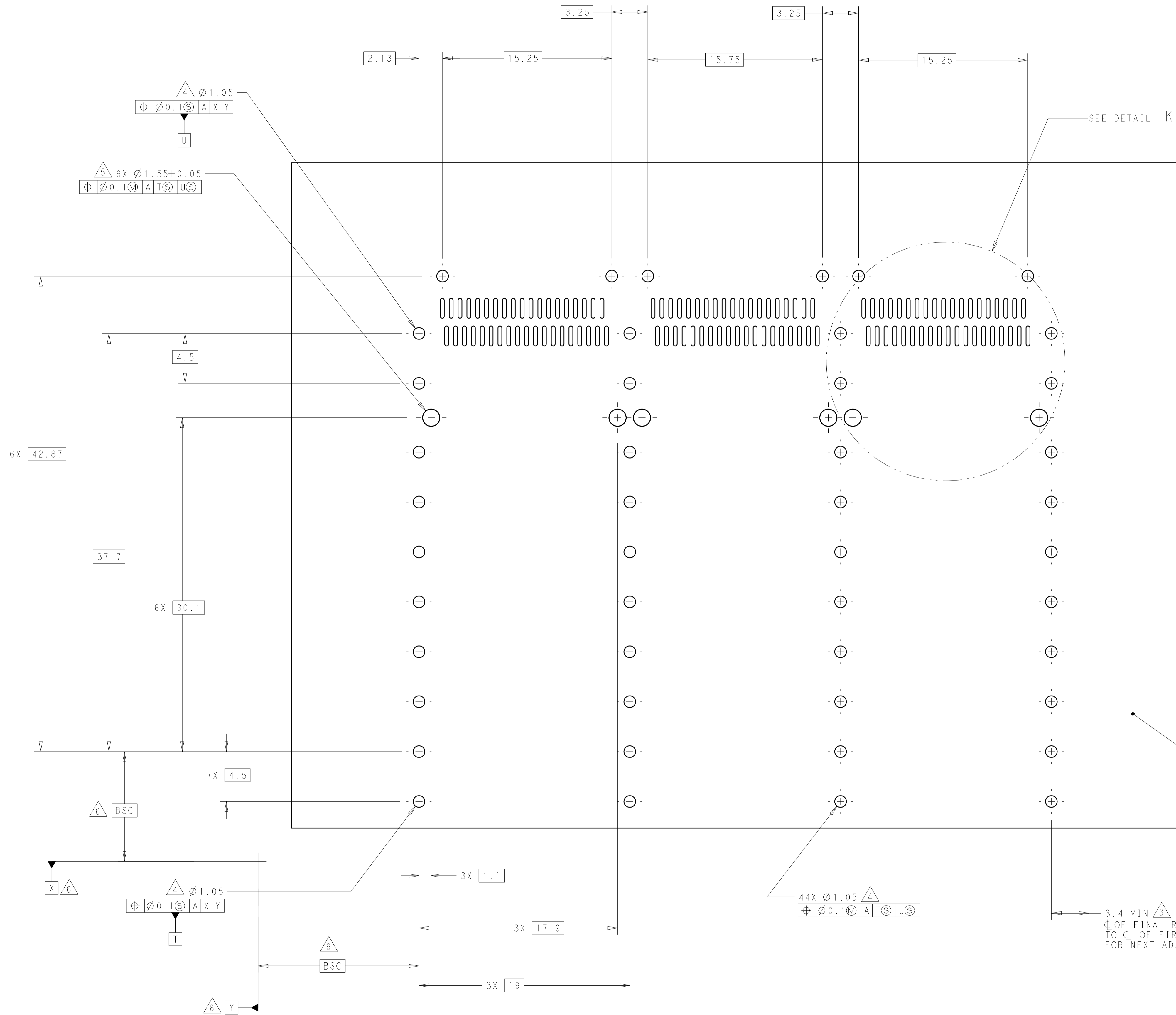


RECOMMENDED PC BOARD LAYOUT
 SINGLE SIDE MOUNT CONFIGURATION
 SCALE 5:1

THIS DRAWING IS A CONTROLLED DOCUMENT. DIMENSIONING AND TOLERANCING PER ASME Y14.5M-2009.		DWN J.V.D. HEIJDEN 12AUG2011 CHK R. VERBEET 12AUG2011 APVD T.D. ROER 15AUG2011	TE Connectivity NAME 1X3 CAGE ASSEMBLY, BEHIND BEZEL, ZQSFP+
DIMENSIONS: mm 	TOLERANCES UNLESS OTHERWISE SPECIFIED: 0 PLC \pm 1 PLC ± 0.1 2 PLC ± 0.1 3 PLC ± 0.013 4 PLC ± 0.0001 ANGLES \pm	PRODUCT SPEC 108- APPLICATION SPEC 114- WEIGHT CUSTOMER DRAWING	

LOC	DIST	REV	DATE	BY	APPV
GP	00				

REVISIONS					
REV	DATE	DESCRIPTION	BY	APPV	DATE
-	-	SEE SHEET 1	-	-	-



DETAIL K
 3 PLACES
 SCALE 8:1

RECOMMENDED PC BOARD LAYOUT
 BELLY TO BELLY CONFIGURATION
 SCALE 5:1

THIS DRAWING IS A CONTROLLED DOCUMENT. DIMENSIONING AND TOLERANCING PER ASME Y14.5M-2009.		DWN: J.V.D. HEIJDEN CHK: R. VERBEEF APVD: T.D. ROER DATE: 12AUG2011 DATE: 12AUG2011 DATE: 15AUG2011	STE TE Connectivity NAME: 1X3 CAGE ASSEMBLY, BEHIND BEZEL, ZQSFP+
DIMENSIONS: mm TOLERANCES UNLESS OTHERWISE SPECIFIED: 0 PLC ± 1 PLC ±0.1 2 PLC ±0.1 3 PLC ±0.013 4 PLC ±0.0001 ANGLES ±	PRODUCT SPEC: 108- APPLICATION SPEC: 114- WEIGHT: - CUSTOMER DRAWING	SIZE: A1 CAGE CODE: 00779 DRAWING NO: C=2173238 SCALE: 3:1 SHEET: 4 OF 4 REV: A	RESTRICTED TO: -