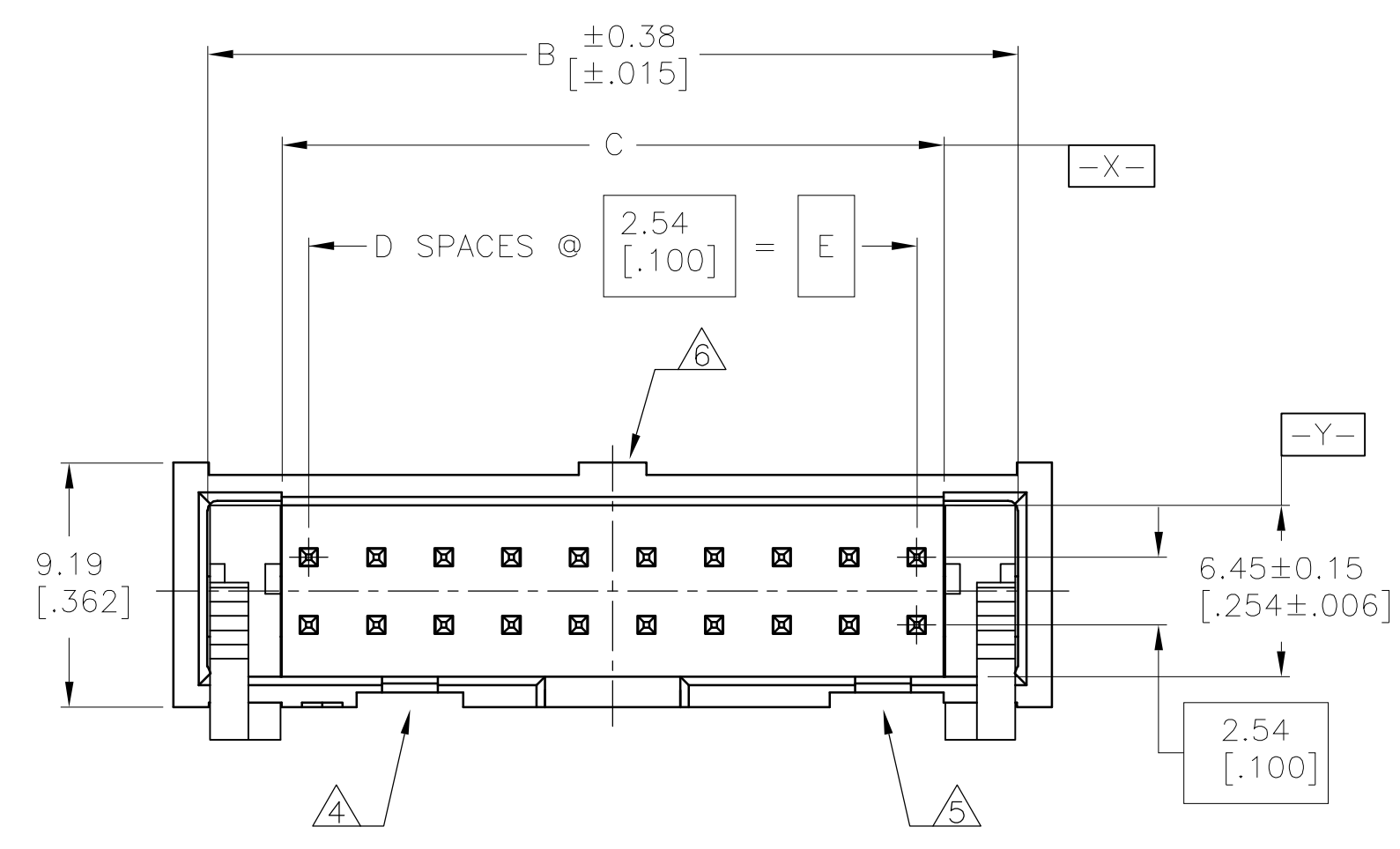
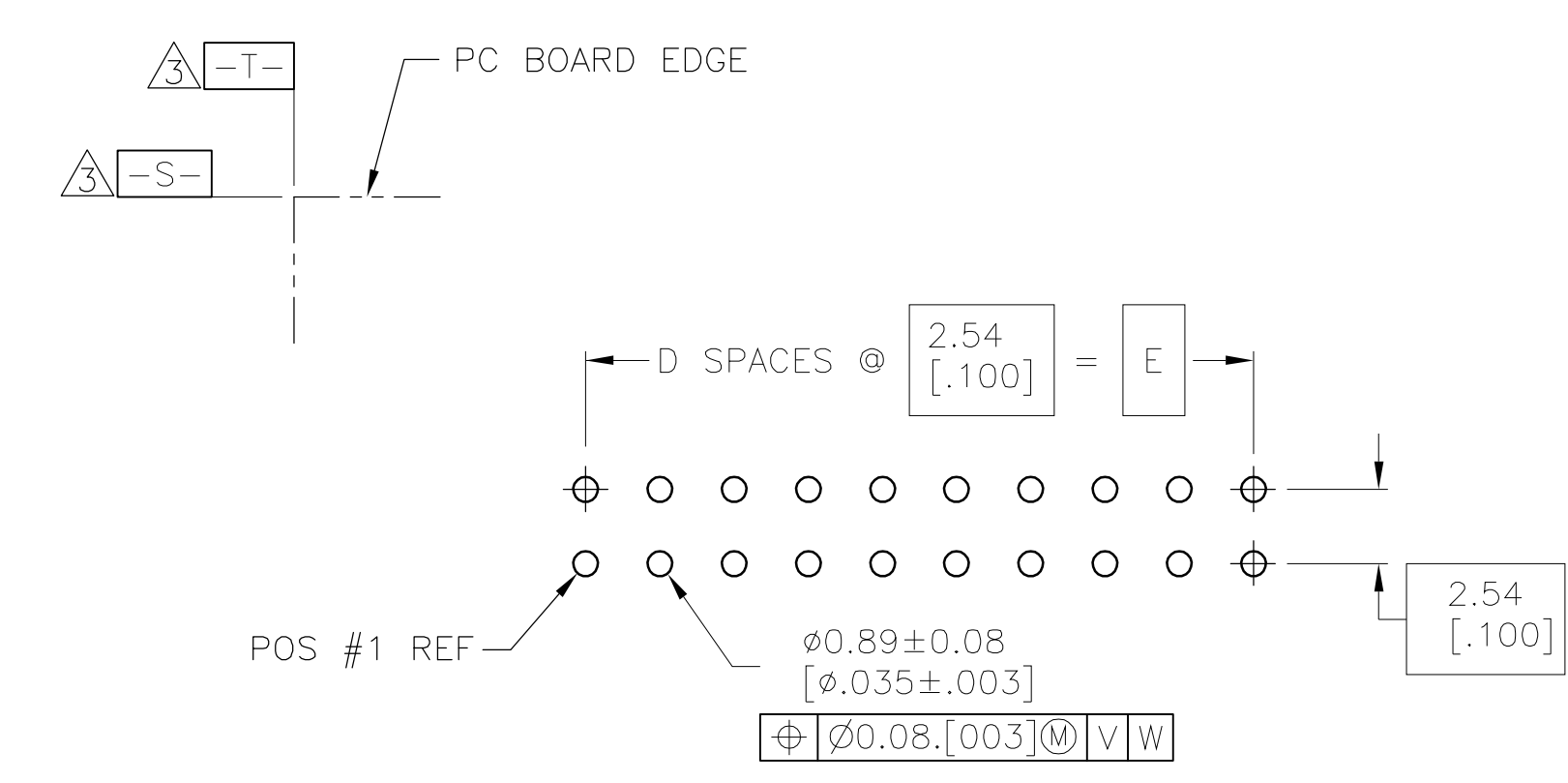
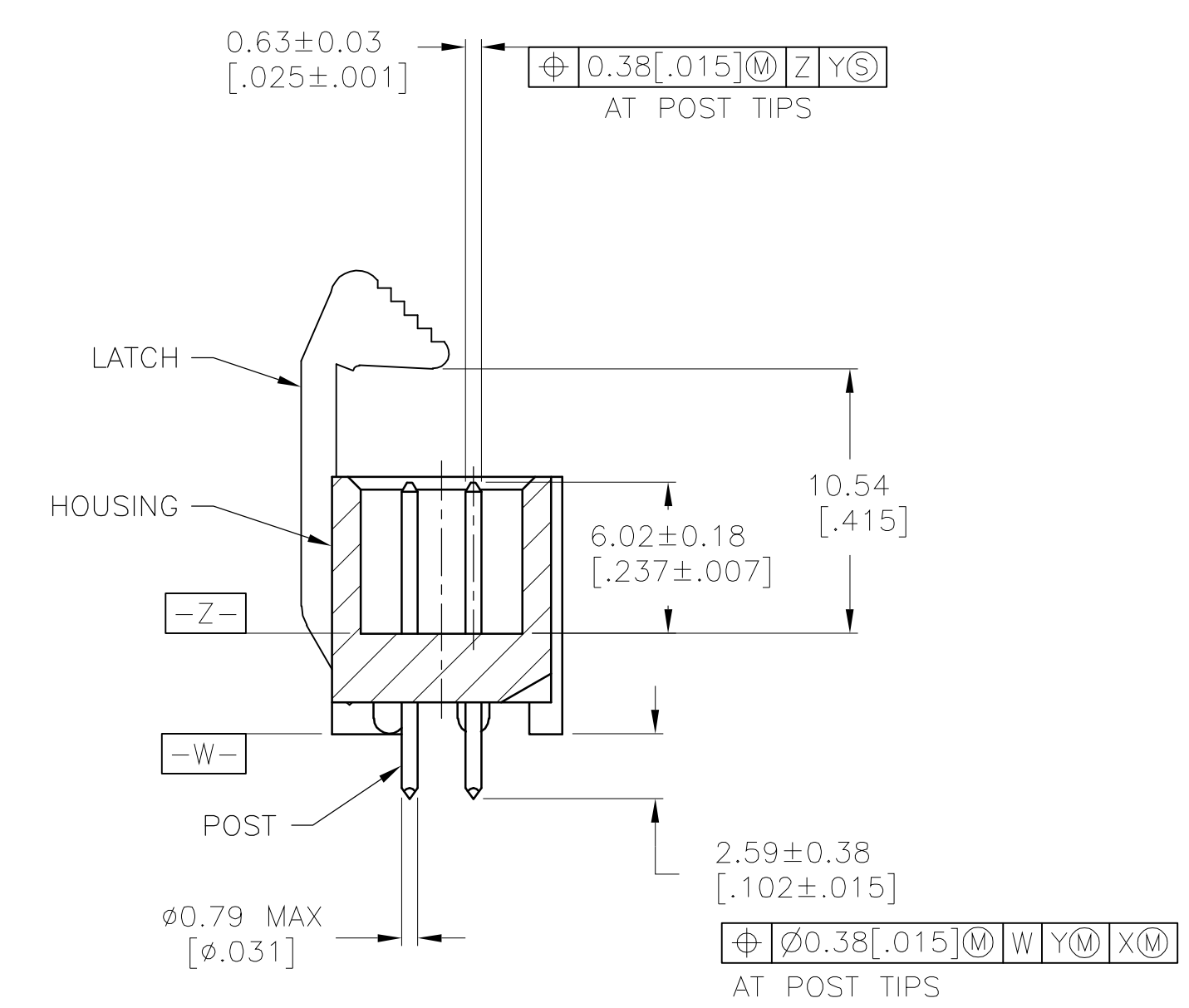
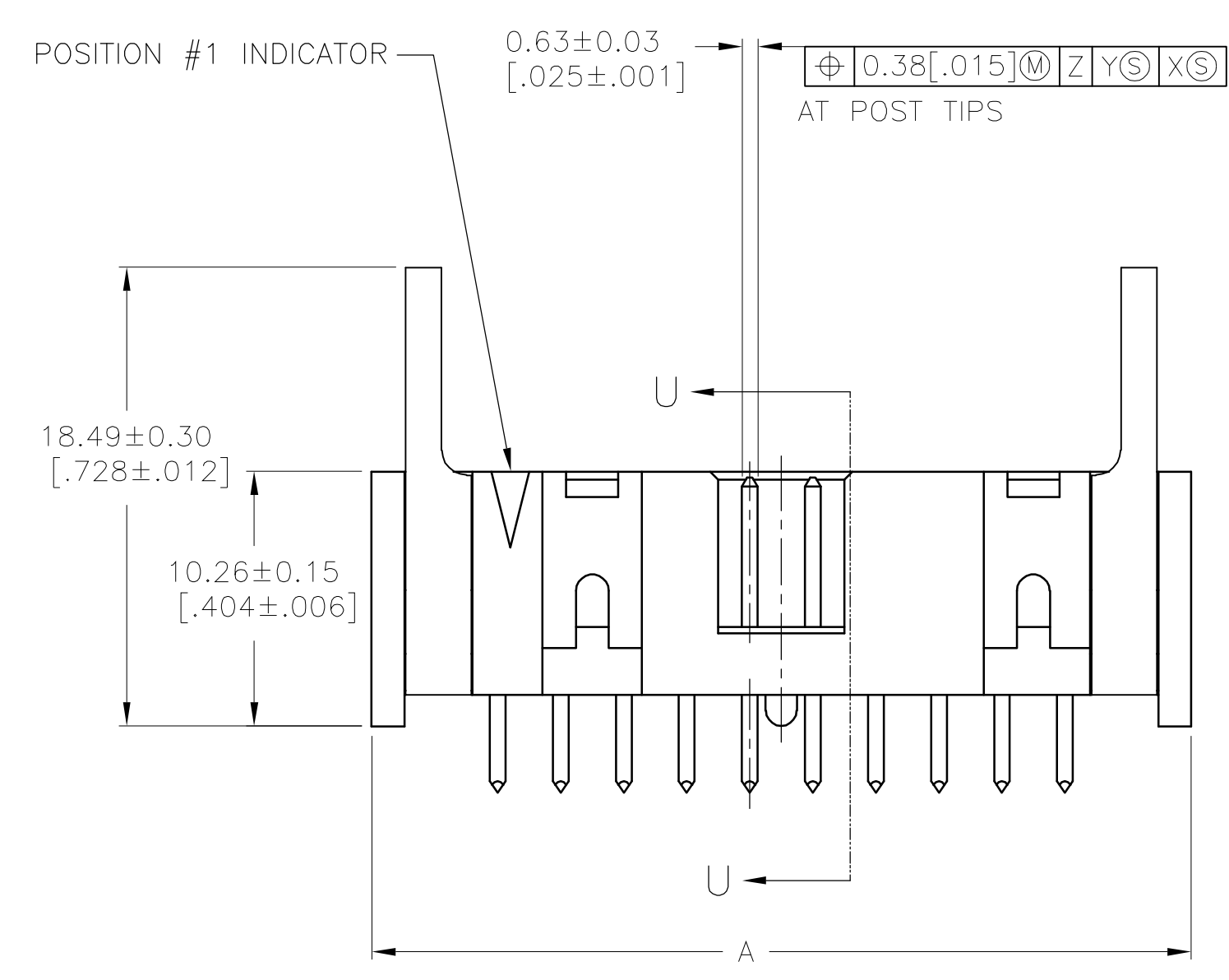


LOC		DIST		REVISIONS			
P	LTR	DESCRIPTION	DATE	DRN	APVD		
0		REVISED PER EC OS13-0659-04	05JUN05	BEC	SB		



- ① HOUSING: PBT, UL94V-0, COLOR: (SEE TABLE).
POSTS: PHOSPHOR BRONZE.
LATCHES: ZINC ALLOY.
- ② POSTS: 0.00076[.000030] MIN GOLD ON MATING AREA, 0.00254[.000100] MIN TIN ON SOLDER END, ALL OVER 0.00127[.000050] MIN NICKEL ON ENTIRE POST.
LATCHES: BLACK CHROMATE.
- ③ DATUMS S & T TO BE ESTABLISHED BY CUSTOMER.
- ④ NO KEYING SLOT ON THIS END FOR 6, 8, 10 & 14 POSITION ASSEMBLIES.
- ⑤ NO KEYING SLOT ON THIS END FOR 6, 8 & 10 POSITION ASSEMBLIES.
- ⑥ NO STANDOFF FOR 6, 10, 14 & 16 POSITION ASSEMBLIES.



HOUSING COLOR	E	D	C	B	A	NO OF POS	PART NUMBER	
BLUE	78.74 [3.100]	31	80.77 [3.180]	86.26 [3.396]	88.90 [3.500]	64	3-1761608-7	
	73.66 [2.900]	29	75.69 [2.980]	81.18 [3.196]	83.82 [3.300]	60	3-1761608-6	
	60.96 [2.400]	24	62.99 [2.480]	68.48 [2.696]	71.12 [2.800]	50	3-1761608-5	
	48.26 [1.900]	19	50.29 [1.980]	55.78 [2.196]	58.42 [2.300]	40	3-1761608-3	
	43.18 [1.700]	17	45.21 [1.780]	50.70 [1.996]	53.34 [2.100]	36	3-1761608-2	
	40.64 [1.600]	16	42.67 [1.680]	48.16 [1.896]	50.80 [2.000]	34	3-1761608-1	
	35.56 [1.400]	14	37.59 [1.480]	43.08 [1.696]	45.72 [1.800]	30	3-1761608-0	
	30.48 [1.200]	12	32.51 [1.280]	38.00 [1.496]	40.64 [1.600]	26	2-1761608-9	
	27.94 [1.100]	11	29.97 [1.180]	35.46 [1.396]	38.10 [1.500]	24	2-1761608-8	
	22.86 [.900]	9	24.89 [.980]	30.38 [1.196]	33.02 [1.300]	20	2-1761608-7	
	17.78 [.700]	7	19.81 [.780]	25.30 [.996]	27.94 [1.100]	16	2-1761608-6	
	15.24 [.600]	6	17.27 [.680]	22.76 [.896]	25.40 [1.000]	14	2-1761608-5	
	10.16 [.400]	4	12.19 [.480]	17.68 [.696]	20.32 [.800]	10	2-1761608-3	
	7.62 [.300]	3	9.65 [.380]	15.14 [.596]	17.78 [.700]	8	2-1761608-2	
	5.08 [.200]	2	7.11 [.280]	12.60 [.496]	15.24 [.600]	6	2-1761608-1	
	BLACK	73.66 [2.900]	29	75.69 [2.980]	81.18 [3.196]	83.82 [3.300]	60	1-1761608-6
		60.96 [2.400]	24	62.99 [2.480]	68.48 [2.696]	71.12 [2.800]	50	1-1761608-5
		48.26 [1.900]	19	50.29 [1.980]	55.78 [2.196]	58.42 [2.300]	40	1-1761608-3
40.64 [1.600]		16	42.67 [1.680]	48.16 [1.896]	50.80 [2.000]	34	1-1761608-1	
35.56 [1.400]		14	37.59 [1.480]	43.08 [1.696]	45.72 [1.800]	30	1-1761608-0	
30.48 [1.200]		12	32.51 [1.280]	38.00 [1.496]	40.64 [1.600]	26	1761608-9	
27.94 [1.100]		11	29.97 [1.180]	35.46 [1.396]	38.10 [1.500]	24	1761608-8	
22.86 [.900]		9	24.89 [1.196]	30.38 [1.300]	33.02 [1.300]	20	1761608-7	
17.78 [.700]		7	19.81 [.780]	25.30 [.996]	27.94 [1.100]	16	1761608-6	
15.24 [.600]		6	17.27 [.680]	22.76 [.896]	25.40 [1.000]	14	1761608-5	
10.16 [.400]	4	12.19 [.480]	17.68 [.696]	20.32 [.800]	10	1761608-3		

**COPYRIGHT 2005
 TYCO ELECTRONICS CORP
 ALL RIGHTS RESERVED**

THIS DRAWING IS A CONTROLLED DOCUMENT. DWN BY CRISAMORE/DIT 30JUN05
 CHK S.BOLASH 30JUN05
 APD M.WALMSLEY 30JUN05

tyco
 Electronics
 Tyco Electronics Corporation
 Harrisburg, Pa 17105

NAME: M.WALMSLEY
 PRODUCT SPEC: HEADER ASSEMBLY, SHORT EJECT LATCH, VERTICAL, LOW PROFILE, IDC
 APPLICATION SPEC: -
 SIZE: A1
 CAGE CODE: 00779
 DRAWING NO: 1761608
 RESTRICTED TO: -
 WEIGHT: -
 CUSTOMER DRAWING: -
 SCALE: 4:1
 SHEET: 1 OF 1
 REV: 0