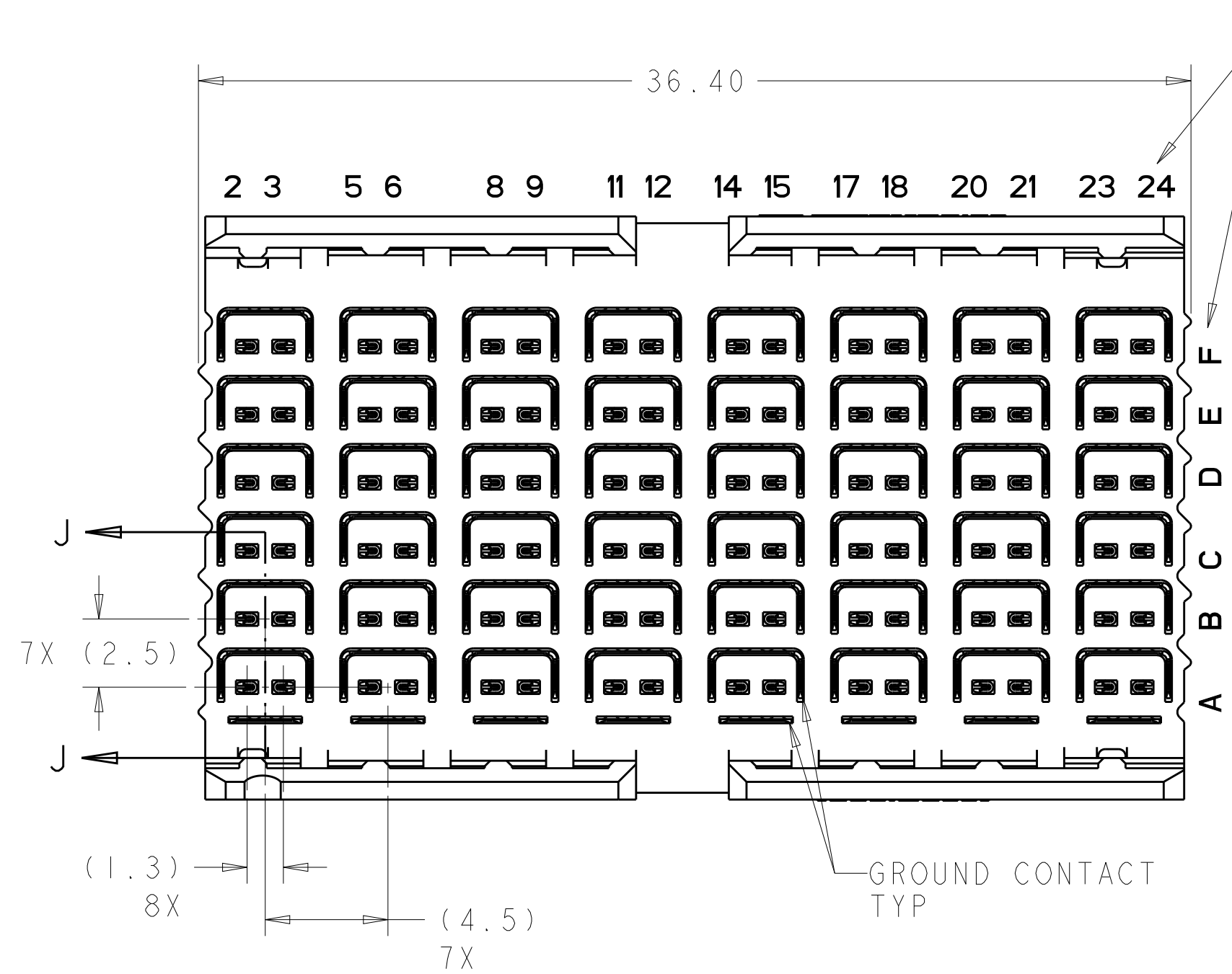
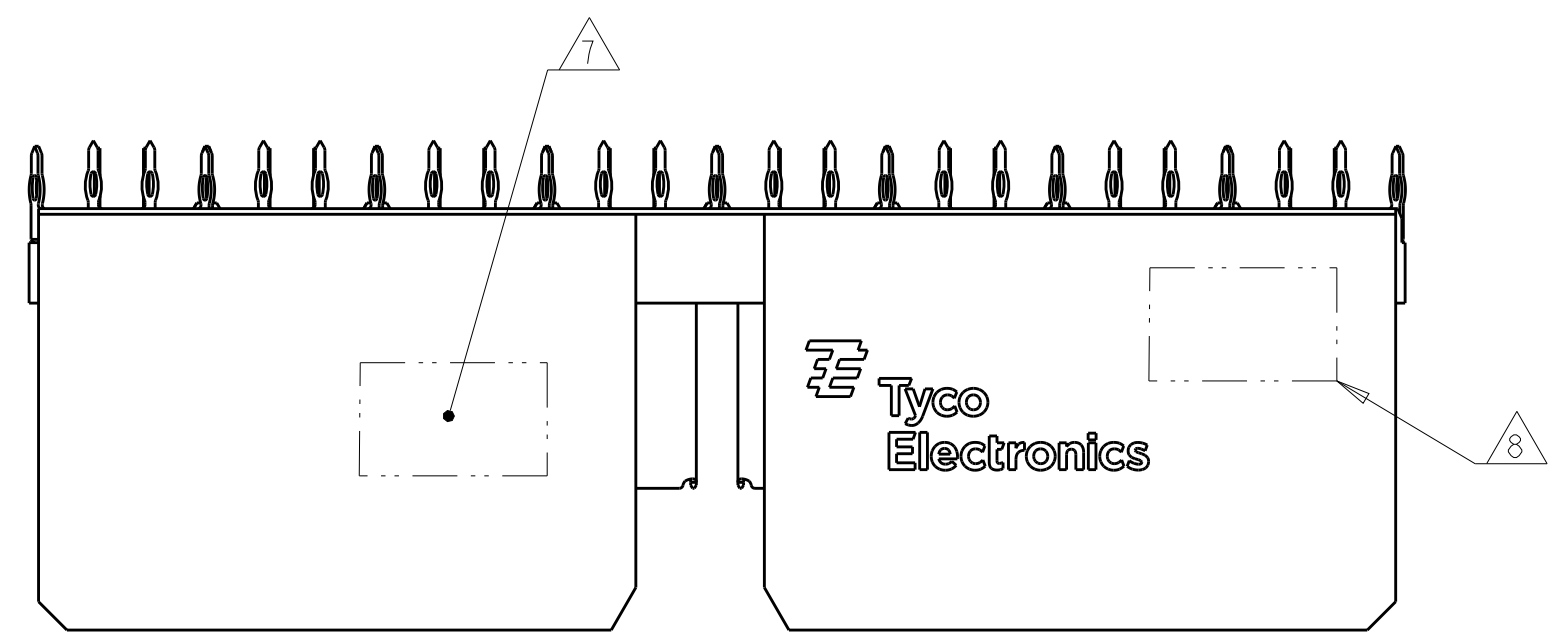
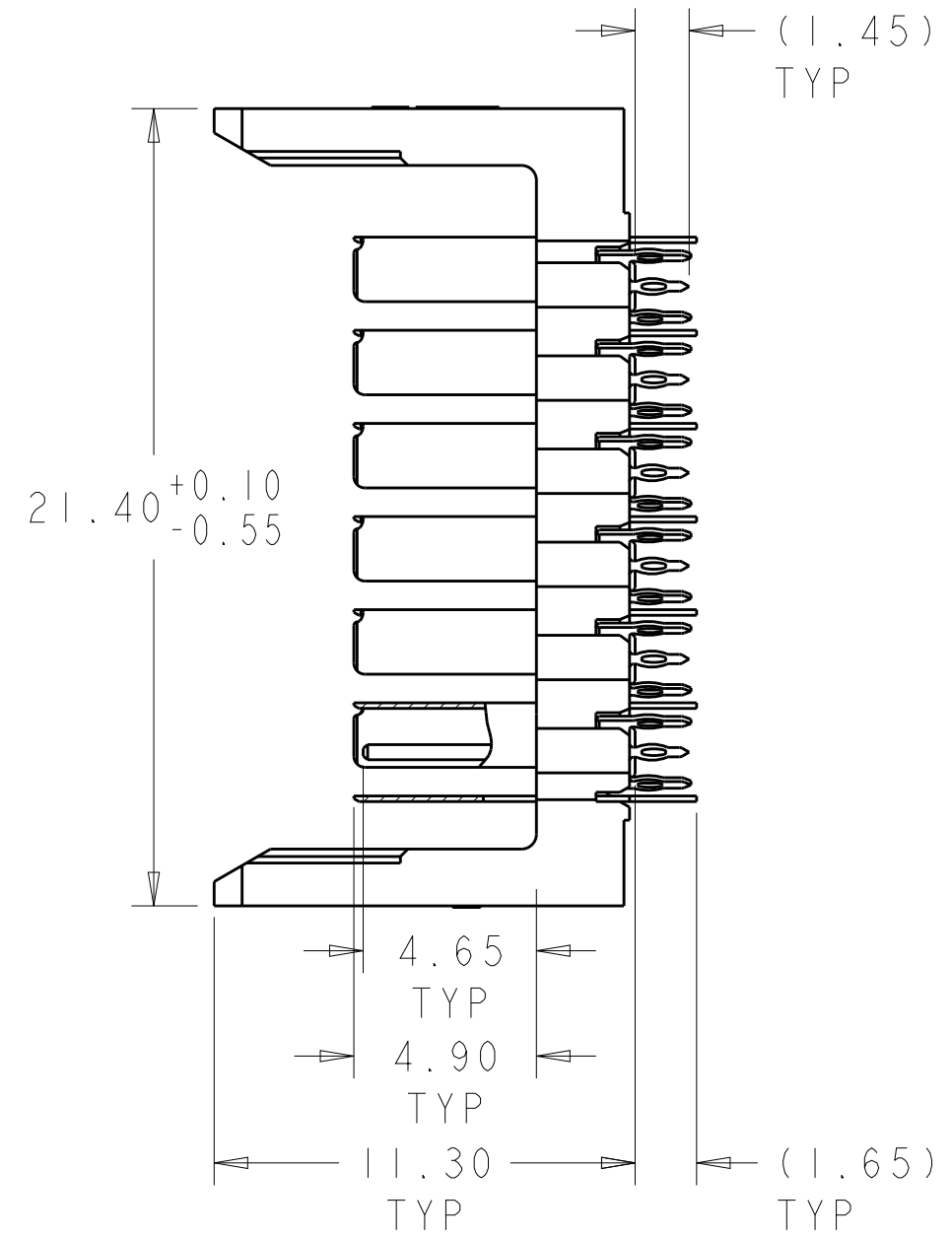


THIS DRAWING IS UNPUBLISHED. RELEASED FOR PUBLICATION 20  
 © COPYRIGHT 20 TE CONNECTIVITY ALL RIGHTS RESERVED.

LOC	DIST	REVISIONS					
GP	00	P	LTR	DESCRIPTION	DATE	DWN	APVD
		A		INITIAL RELEASE	28OCT2013	J.G	C.Z
		B		UPDATED FHS ON NOTE 4	14NOV2013	J.G	C.Z

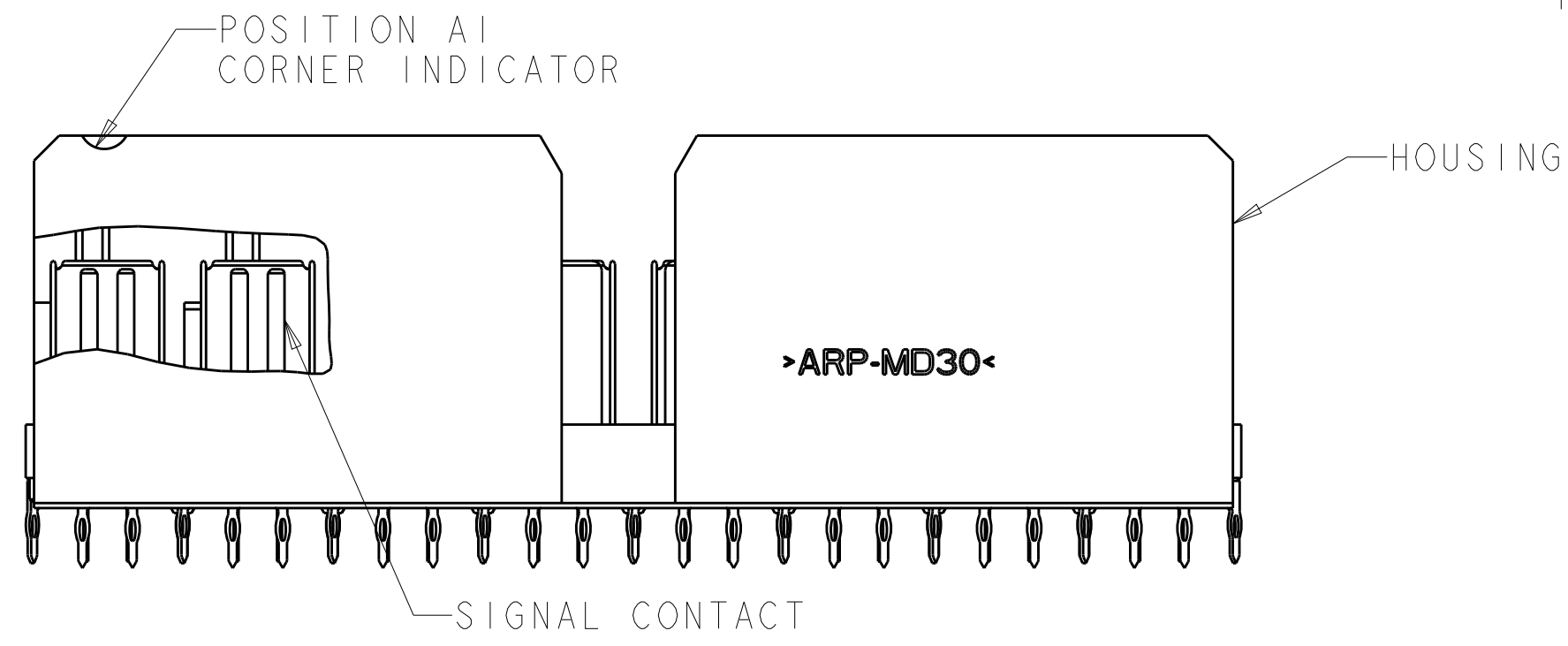


COLUMN NUMBER AND ROW LETTER (LOCATION SAME AS PCB LAYOUT PER SHEET 2)



SECTION J-J

- ① HOUSING: THERMOPLASTIC, UL 94V-0, BLACK. CONTACT: COPPER ALLOY.
- ② CONFORMS TO REQUIREMENTS OF TE PRODUCT SPEC 108-2413, BASED ON TELECORDIA GR-1217-CORE FOR SYSTEM QUALITY LEVEL III APPLICATIONS IN CONTROLLED ENVIRONMENTS (CENTRAL OFFICE).
- ③ CONSULT APPLICATION SPECIFICATION 114-13301.
- ④ PLATED THRU HOLE REQUIREMENTS:  
 FINISHED HOLE =  $\varnothing 0.344 \pm 0.046$ mm  
 DRILLED HOLE BEFORE PLATING =  $\varnothing 0.420 \sim 0.435$ mm  
 COPPER THICKNESS = 0.042mm REF
- ⑤ PLATED THRU HOLE DIMENSIONS APPLY TO 1.00mm DEPTH FROM MOUNT SIDE OF BOARD.
- ⑥ HOLE POSITION TOLERANCE APPLIES WITHIN PATTERN FOR CONNECTOR PATTERN TO CONNECTOR PATTERN, A 0.12 $\text{\textcircled{M}}$  POSITION TOLERANCE APPLIES.
- ⑦ CONNECTOR MARKED WITH PART NUMBER, DATE CODE, AND OPTIONAL MANUFACTURING LOCATION IDENTIFICATION CODE IN APPROXIMATE AREA SHOWN.
- ⑧ CONNECTOR MARKED WITH 2D BARCODE IN APPROXIMATE AREA SHOWN.



96	TIN	2180828-2
96	TIN-LEAD	2180828-1
SIGNAL CONTACT QTY REF	PRESS FIT TAIL PLATING	PART NO

THIS DRAWING IS A CONTROLLED DOCUMENT.		DWN M. SHIRK 15JUN2011	TE Connectivity
DIMENSIONS: mm		CHK N. SWANGER 15JUN2011	
TOLERANCES UNLESS OTHERWISE SPECIFIED:		APVD N. SWANGER 15JUN2011	
0 PLC ± 1 PLC ± 2 PLC ±0.10 3 PLC ± 4 PLC ± ANGLES ± FINISH ±		NAME HEADER ASSEMBLY, 6 PAIR 8 COLUMN, 4.5mm PITCH, STRADA WHISPER PRODUCT SPEC ② APPLICATION SPEC ③ WEIGHT - CUSTOMER DRAWING	
MATERIAL ① -	SEE TABLE	SIZE A2	CAGE CODE 00779 DRAWING NO C-2180828 RESTRICTED TO - SCALE 5:1 SHEET 1 OF 2 REV B

