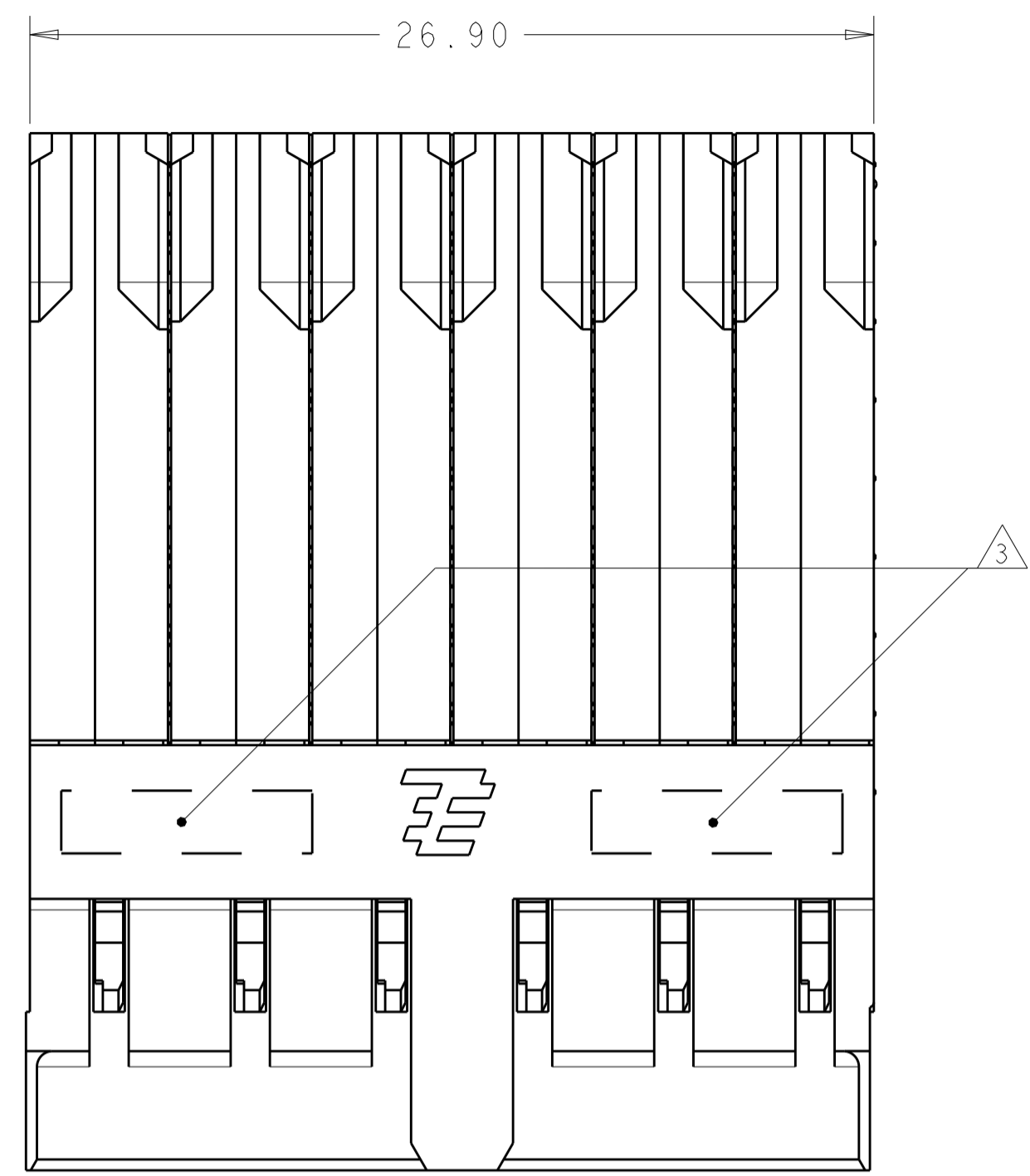
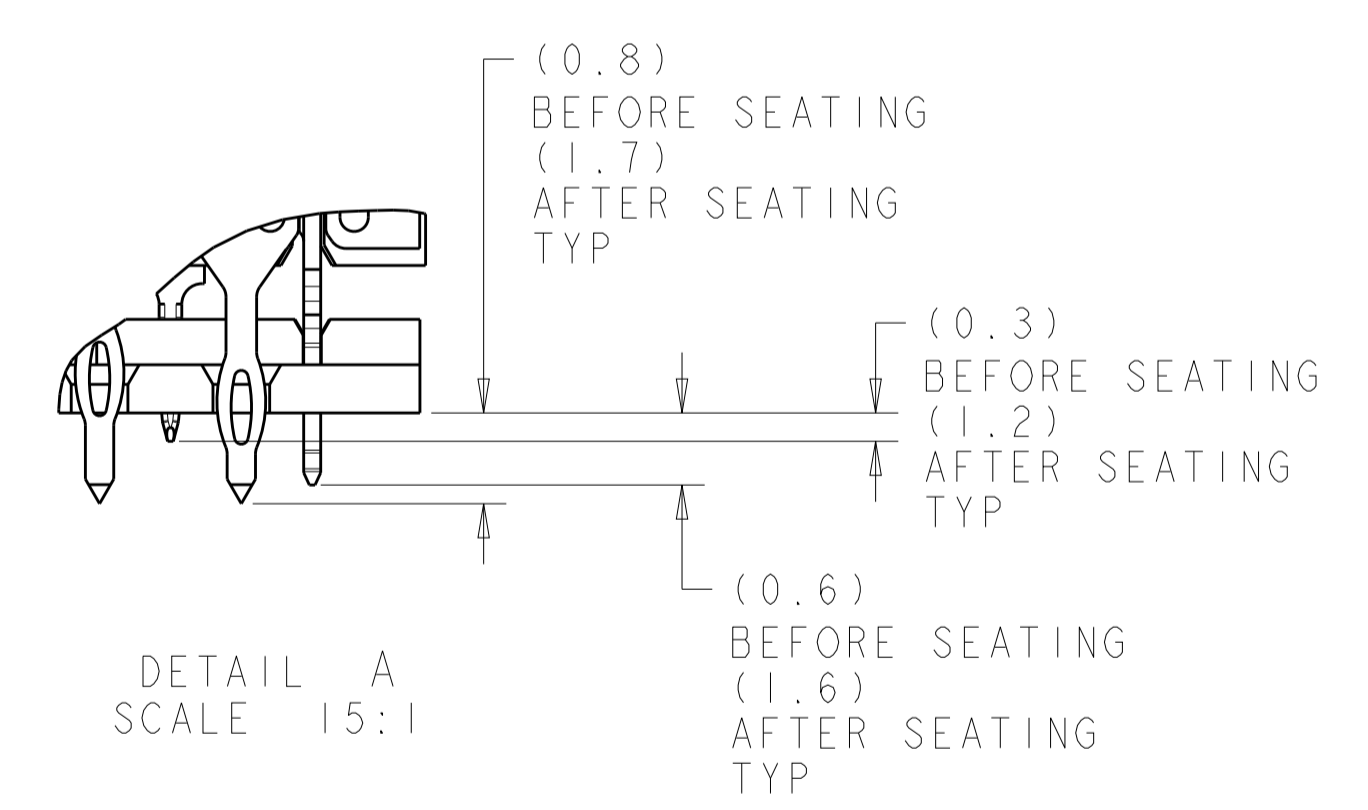
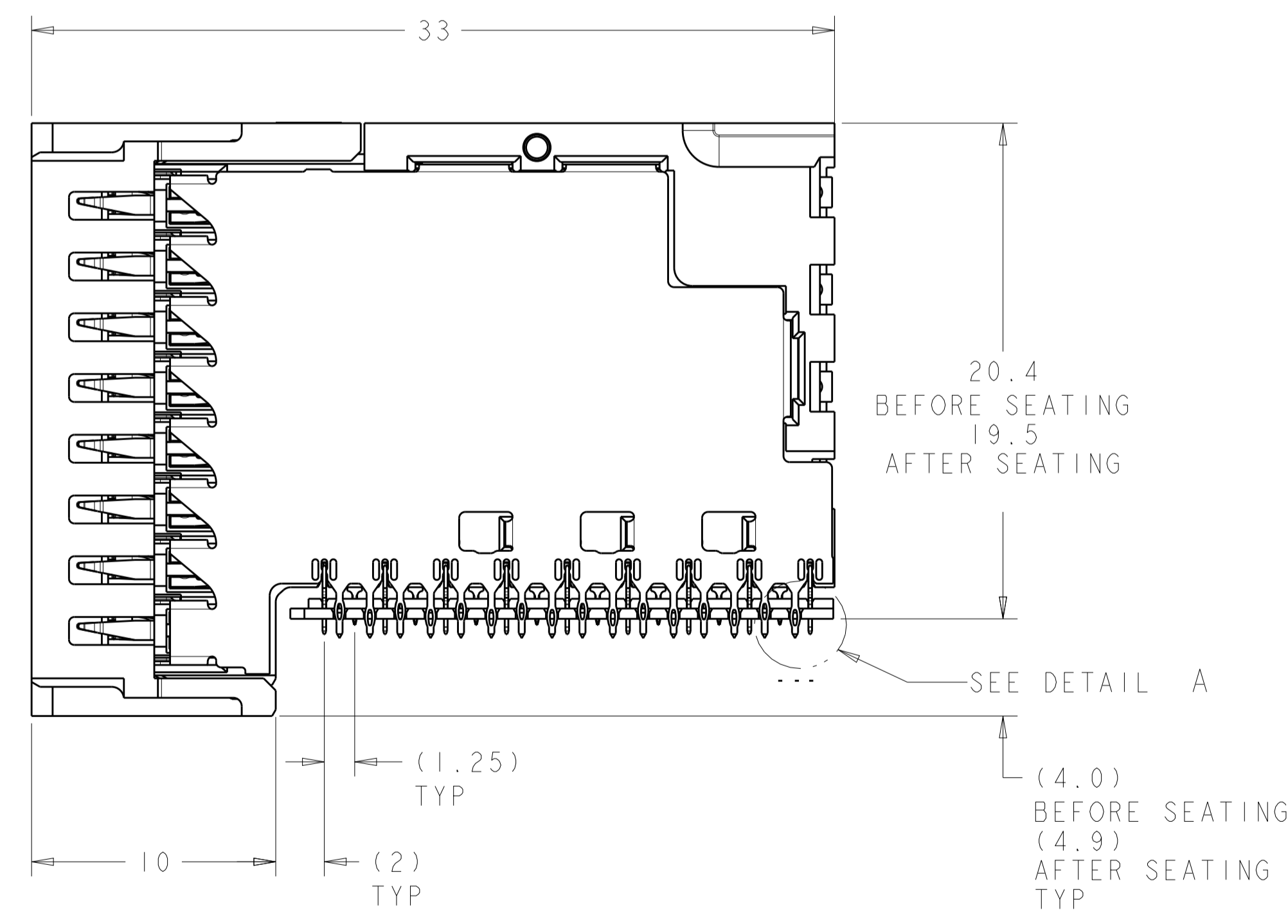
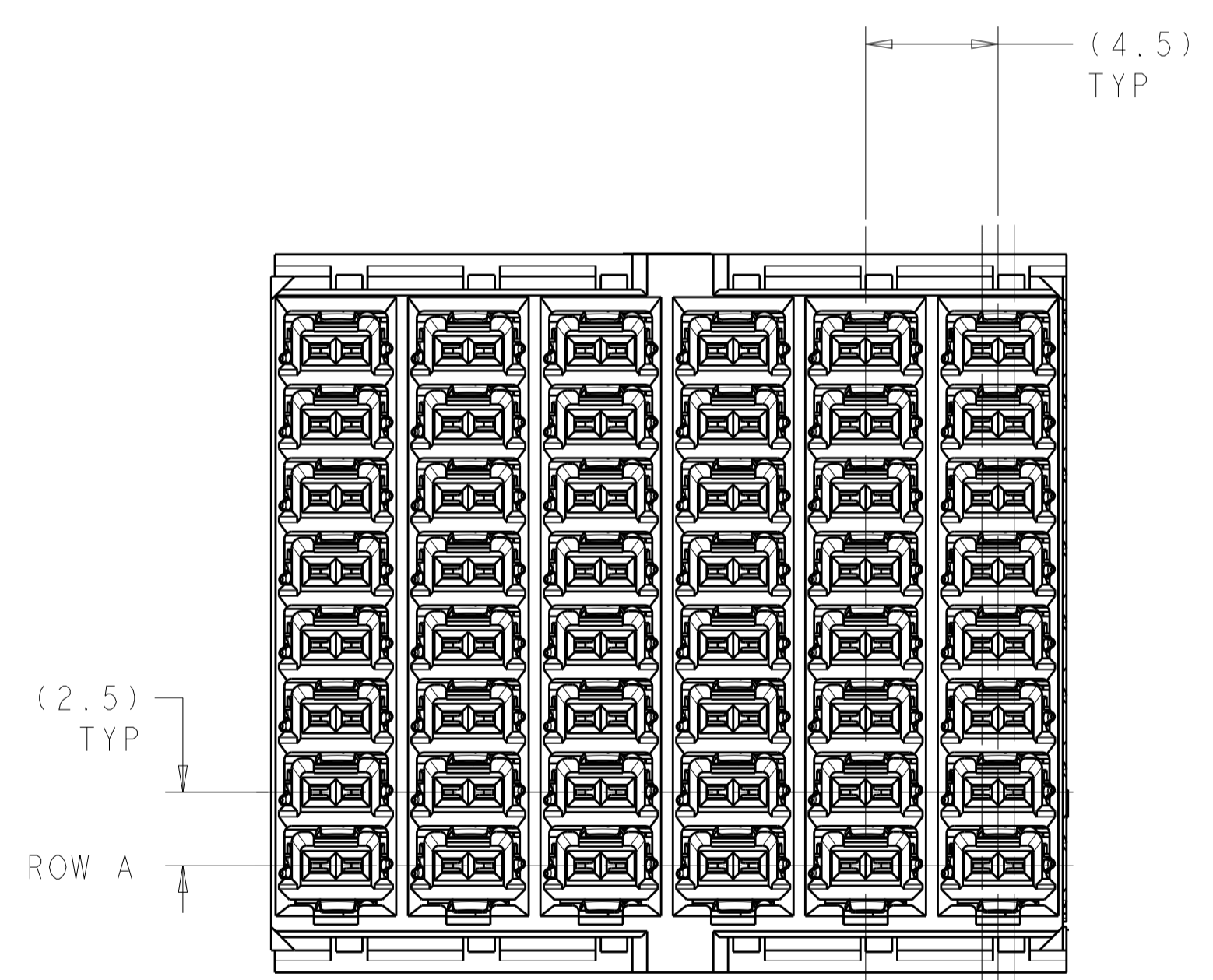


LOC	DIST	REVISIONS					
		P.	LTN	DESCRIPTION	DATE	DWN	APVD
GP	00	A		RELEASED	23MAR2014	RT	NS
		B		REVISED PER ECO-14-010320	07JUL2014	LAW	NS



- 1 MATERIAL:
CONTACT AND SHIELD - COPPER ALLOY.
HOUSINGS, AND ORGANIZER - THERMOPLASTIC, UL 94V-0, BLACK.
- 2 CONFORMS TO REQUIREMENTS OF TE PRODUCT SPECIFICATION 108-2413 & 108-32037
BASED ON TELCORDIA GR-1217-CORE FOR SYSTEM QUALITY LEVEL III;
APPLICATIONS IN CONTROLLED ENVIRONMENTS (CENTRAL OFFICE).
- 3 CONNECTOR MARKED WITH PART NUMBER, DATE CODE,
MANUFACTURING LOCATION IDENTIFICATION CODE, AND 2D BARCODE IN APPROXIMATE AREA SHOWN.
- 4 CONTACT AREA LUBRICATED WITH BELLCORE APPROVED LUBRICANT.
TECHNICAL REFERENCE: GR-1217-CORE, ISSUE 2, DECEMBER 2008.
- 5 PLATED THRU HOLE REQUIREMENTS:
FINISHED HOLE = $\varnothing 0.344 \pm 0.039$
DRILLED HOLE = $\varnothing 0.420 \pm 0.013$
COPPER THICKNESS = 0.038 ± 0.013
IMMERSION TIN IF APPLICABLE = 0.00051 ± 0.00013
- 6 PLATED THRU HOLE REQUIREMENTS:
FINISHED HOLE = $\varnothing 0.244 \pm 0.039$
DRILLED HOLE = $\varnothing 0.320 \pm 0.013$
COPPER THICKNESS = 0.038 ± 0.013
IMMERSION TIN IF APPLICABLE = 0.00051 ± 0.00013
- 7 PTH DIMENSIONS APPLY TO 1.00mm DEPTH FROM MOUNT SIDE OF PCB.
- 8 HOLE POSITION TOLERANCE APPLIES WITHIN PATTERN FOR CONNECTOR
PATTERN TO CONNECTOR PATTERN, A 0.12 \varnothing POSITION TOLERANCE APPLIES.



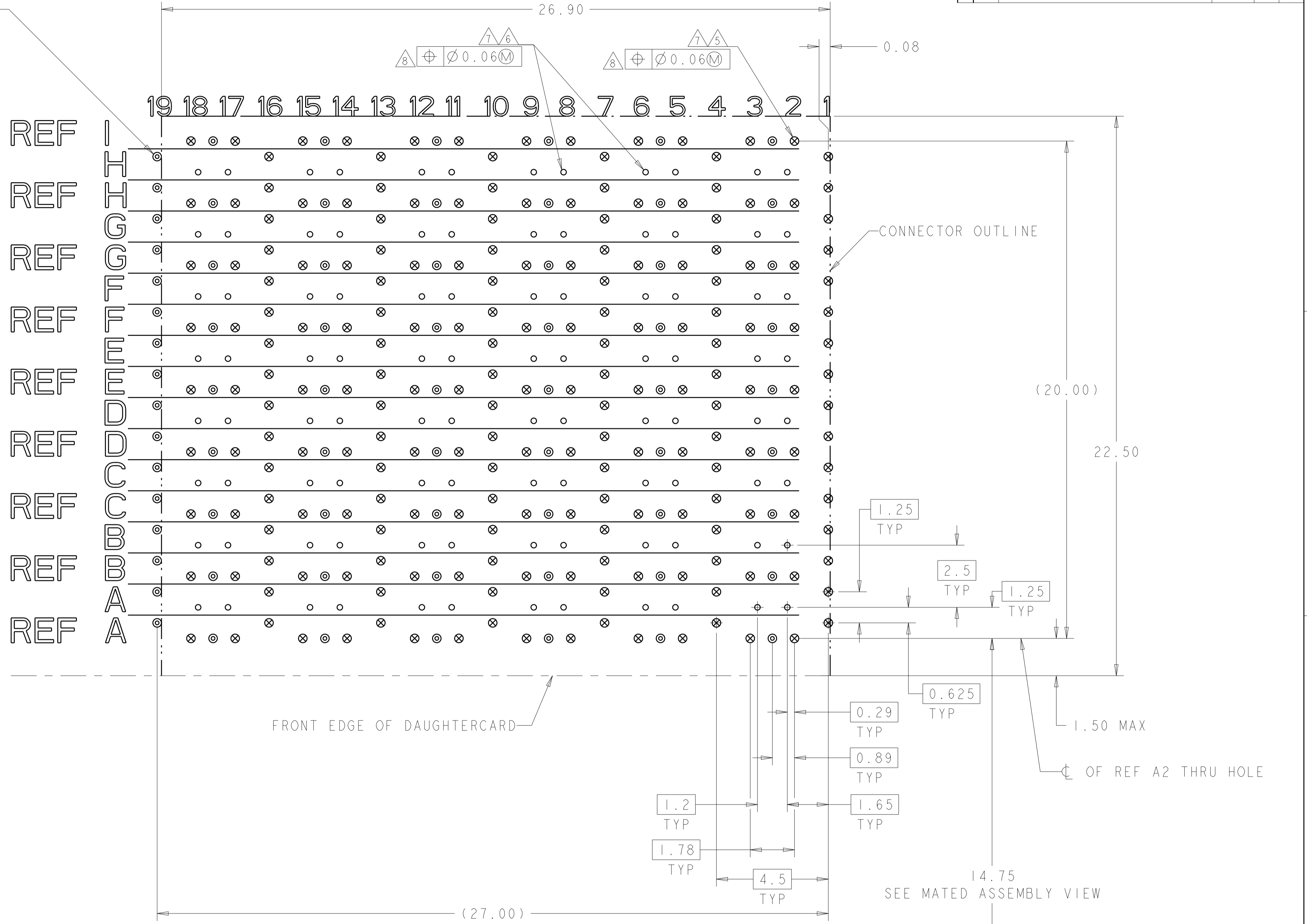
TIN	2198263-3
OBSELETE TIN LEAD	2198263-1
PRESS FIT TAIL PLATING	PART NO

THIS DRAWING IS A CONTROLLED DOCUMENT.		DWN: R. THOMPSON 29NOV2011	TE Connectivity	
DIMENSIONS: mm		CHK: N. SWANGER 29NOV2011		
TOLERANCES UNLESS OTHERWISE SPECIFIED:		APVD: N. SWANGER 29NOV2011		
0 PLC	± 0.2	PRODUCT SPEC	NAME: RECEPTACLE ASSEMBLY, 8 PAIR 6 COLUMN, RIGHT ANGLE, 4.5mm PITCH, STRADA WHISPER 360	
1 PLC	± 0.2	APPLICATION SPEC	SIZE: 114-13301	
2 PLC	± 0.08	FINISH	CAGE CODE: 100779	
3 PLC	± 0.13	SEE TABLE	DRAWING NO: 2198263	
4 PLC	± 0.13		WEIGHT: -	
ANGLES	\pm		Customer Drawing	
MATERIAL			SCALE: 5:1 SHEET 1 OF 2 REV B	

LOC	DIST	REV	DATE	BY	APPV
GP	00				

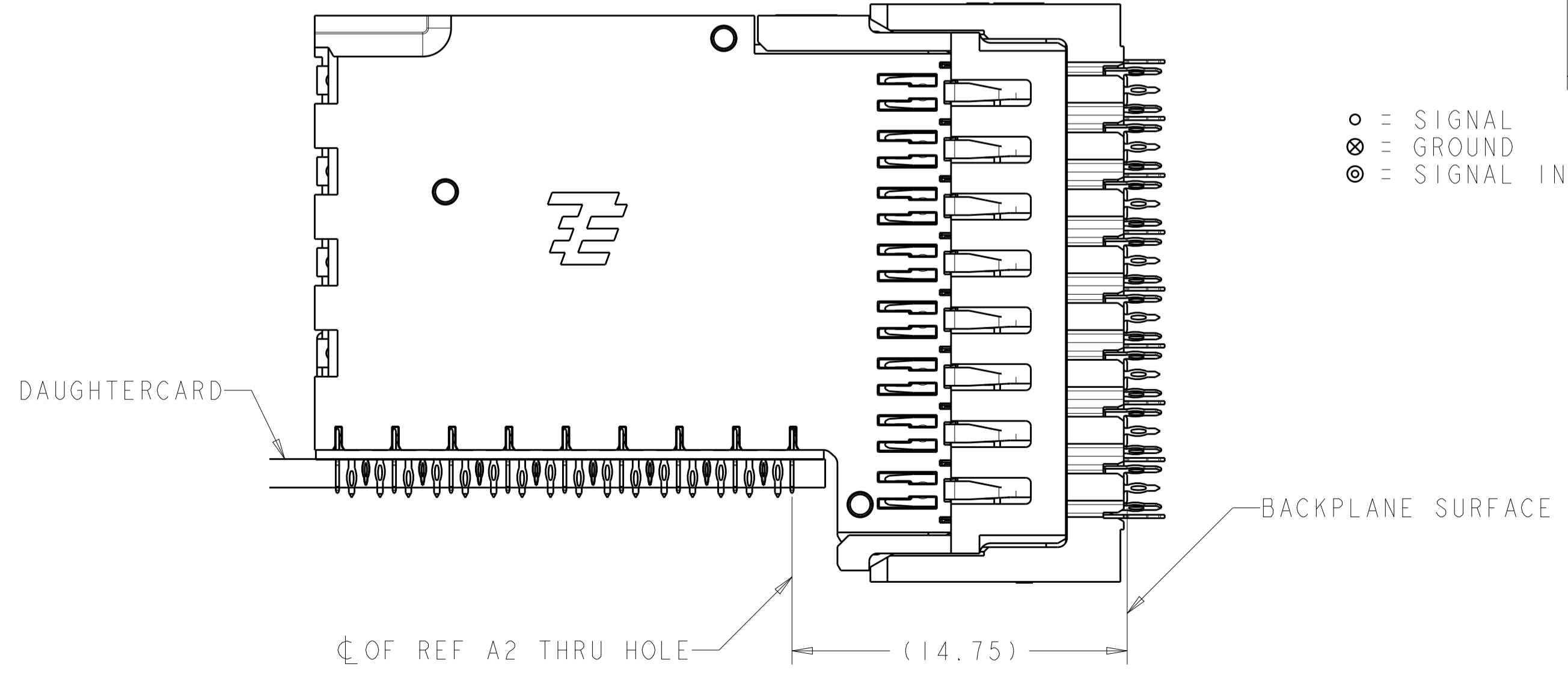
REVISIONS		DATE	BY	APPV
1	SEE SHEET 1			

FOOTPRINT SHOWN IS FOR SINGLE MODULE APPLICATION. WHEN CONNECTORS ARE STACKED SIDE BY SIDE, THESE SI VIAS ARE USED AS GROUNDS BY THE NEXT CONNECTOR



- = SIGNAL
- ⊗ = GROUND
- ⊙ = SIGNAL INTEGRITY VIA TO GROUND

PCB LAYOUT COMPONENT SIDE SHOWN SCALE 10:1



MATED ASSEMBLY VIEW SCALE 5:1

THIS DRAWING IS A CONTROLLED DOCUMENT.		OWN: R. THOMPSON 29NOV2011	TE Connectivity
DIMENSIONS: mm		CHK: N. SWANGER 29NOV2011	
TOLERANCES UNLESS OTHERWISE SPECIFIED:		APVD: N. SWANGER 29NOV2011	NAME: RECEPTACLE ASSEMBLY, 8 PAIR 6 COLUMN, RIGHT ANGLE, 4.5mm PITCH, STRADA WHISPER 360
0 PLC ±0.2	1 PLC ±0.2	PRODUCT SPEC: 2	APPLICATION SPEC:
2 PLC ±0.08	3 PLC ±0.13	SIZE: 114-13301	RESTRICTED TO:
4 PLC ±	ANGLES ±	WEIGHT:	A100779C=2198263
MATERIAL: 1	FINISH: SEE TABLE	Customer Drawing	SCALE: 5:1 SHEET 2 OF 2 REV B