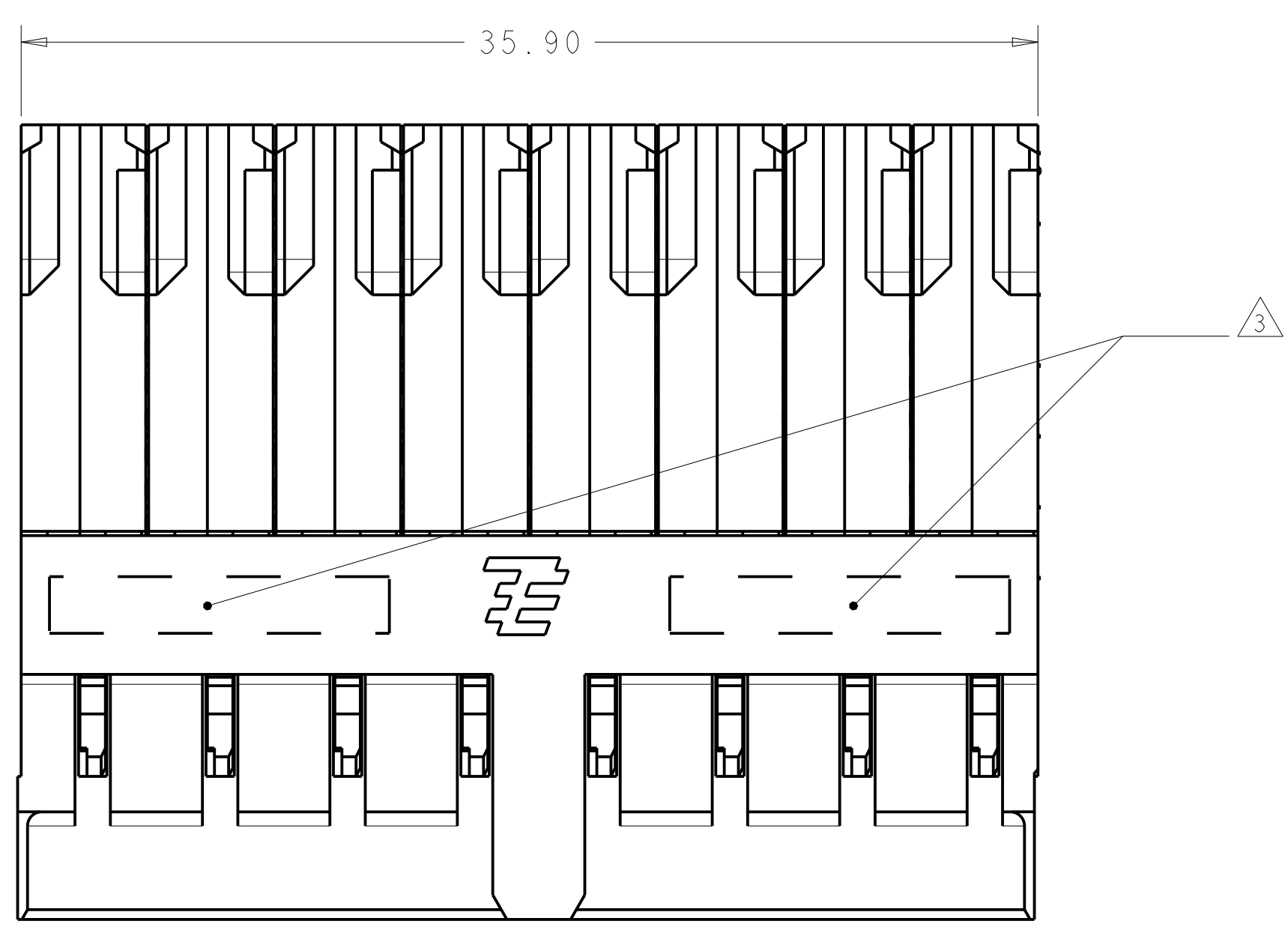
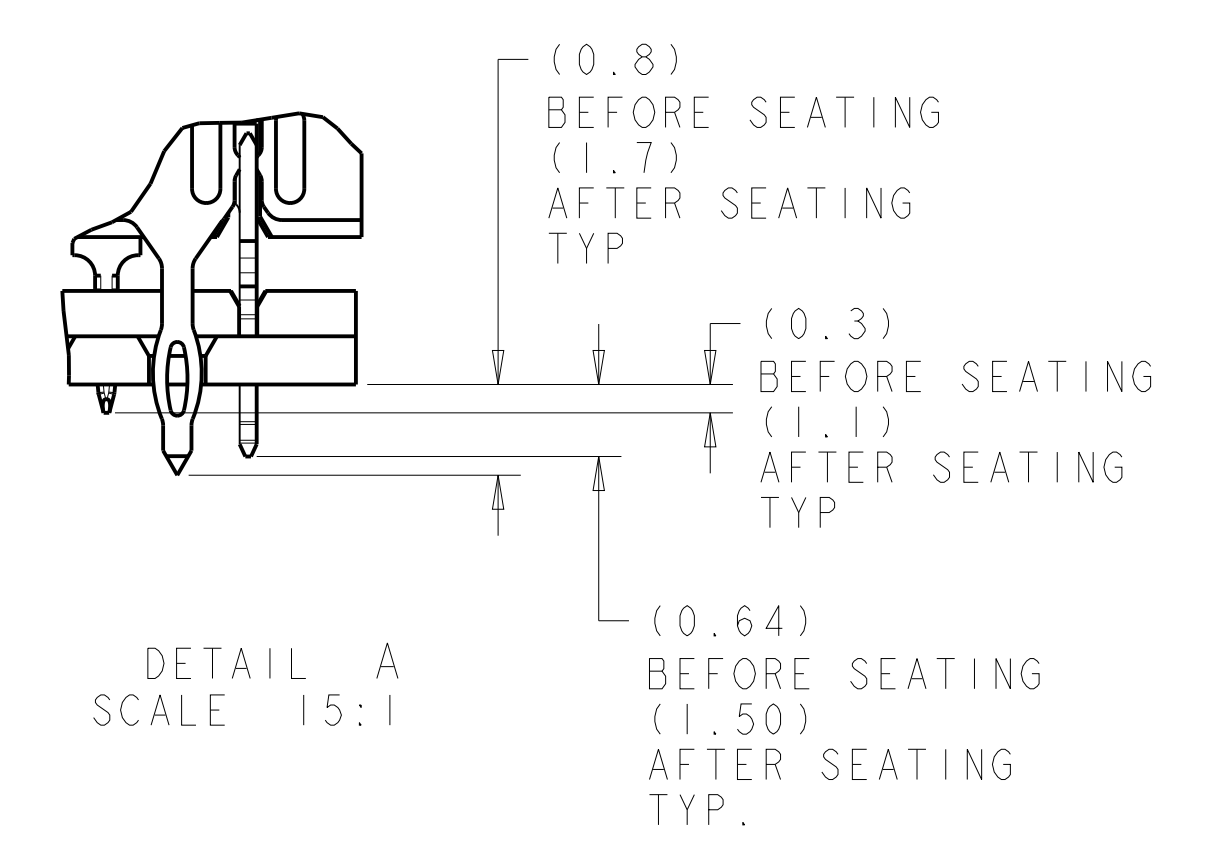
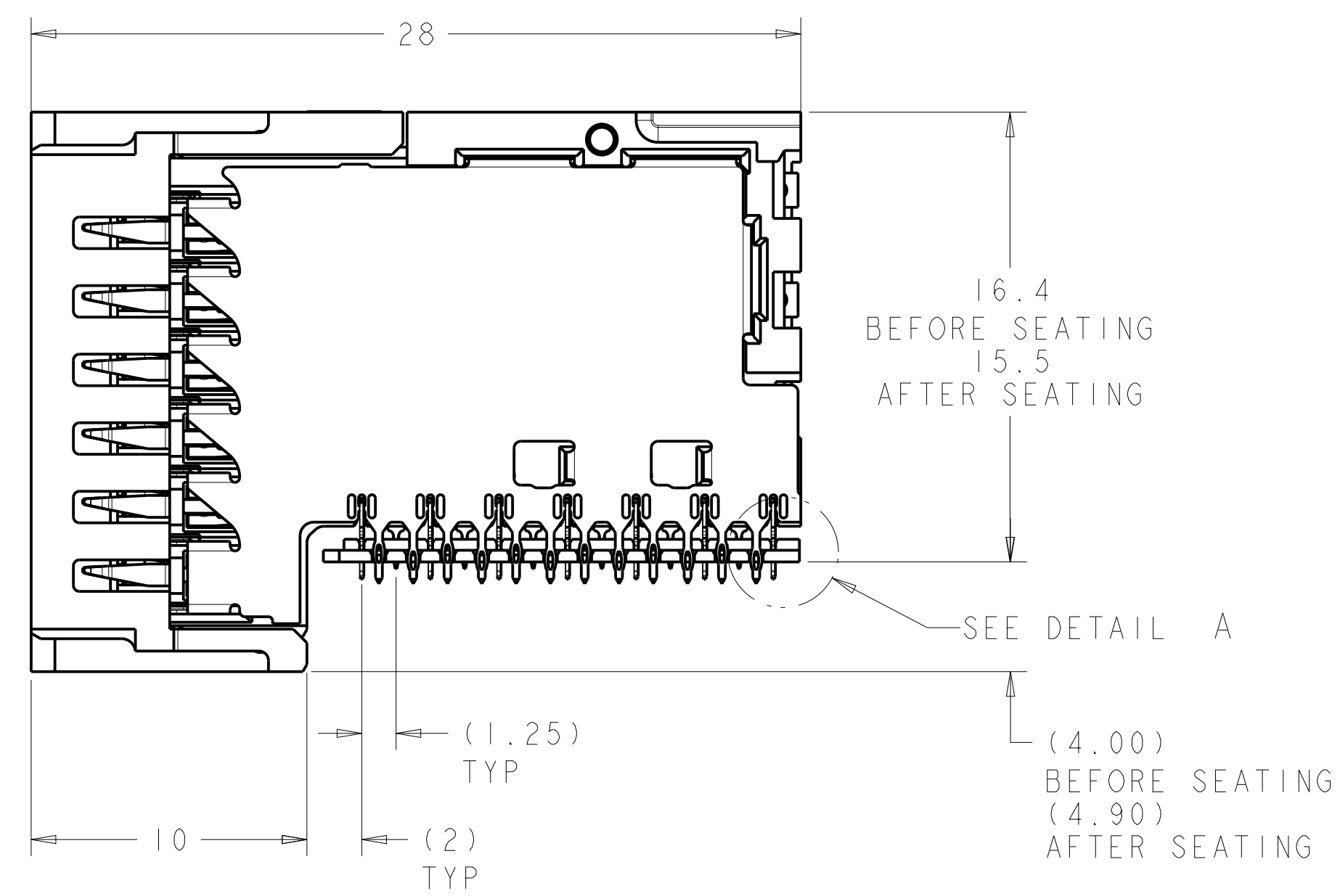
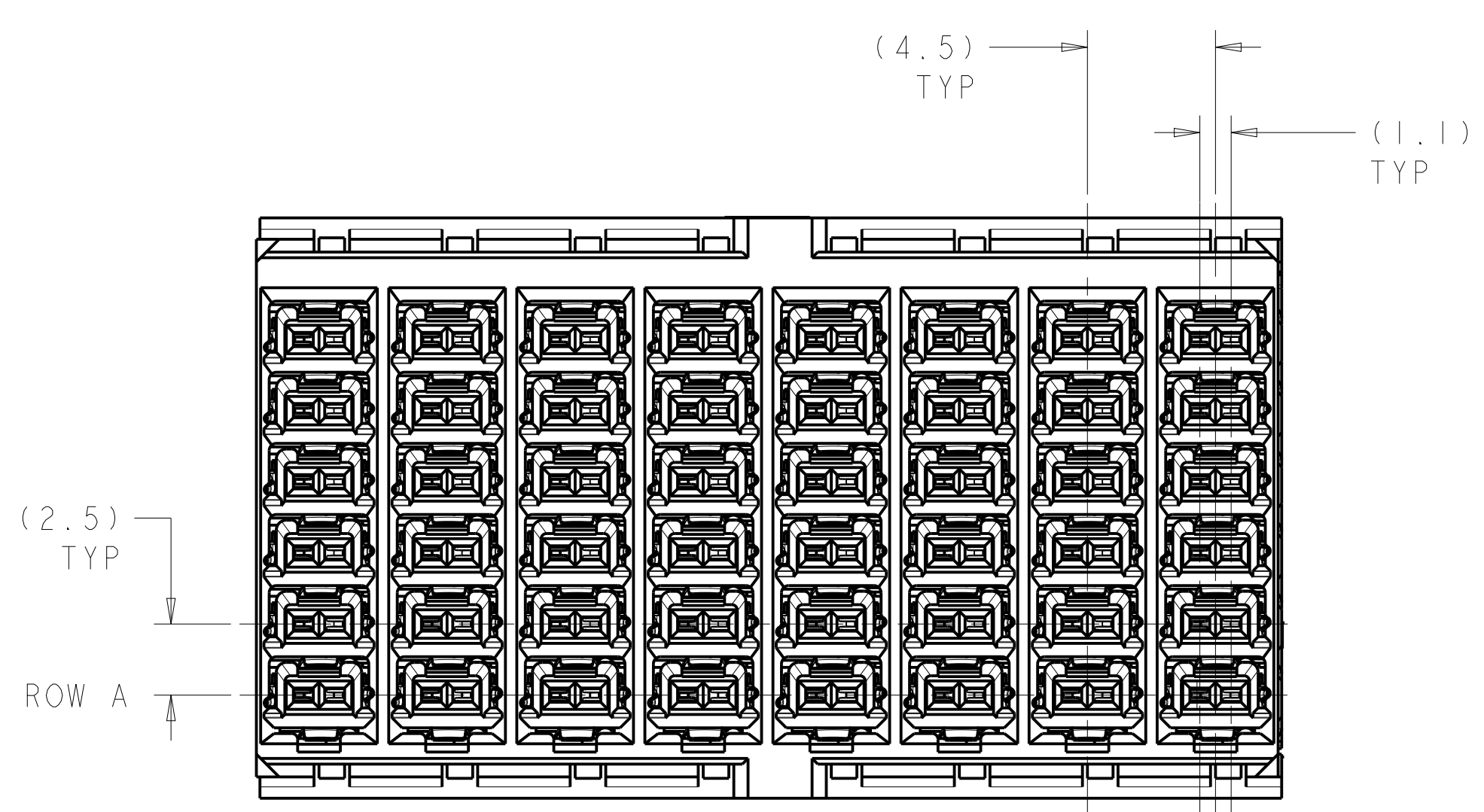


LOC	DIST	REVISIONS					
		P	LTN	DESCRIPTION	DATE	DWN	APVD
GP	00	A		PRELIMINARY	23MAR2014	RT	NS



- △ MATERIAL:
CONTACT AND SHIELD - COPPER ALLOY.
HOUSINGS, AND ORGANIZER - THERMOPLASTIC, UL 94V-0, BLACK.
- △ CONFORMS TO REQUIREMENTS OF TE PRODUCT SPECIFICATION 108-2413, BASED ON TELCORDIA GR-1217-CORE FOR SYSTEM QUALITY LEVEL III; APPLICATIONS IN CONTROLLED ENVIRONMENTS (CENTRAL OFFICE).
- △ CONNECTOR MARKED WITH PART NUMBER, DATE CODE, AND OPTIONAL MANUFACTURING LOCATION IDENTIFICATION CODE IN APPROXIMATE AREA SHOWN.
- 4. CONTACT AREA LUBRICATED WITH BELLCORE APPROVED LUBRICANT. TECHNICAL REFERENCE: GR-1217-CORE, ISSUE 2, DECEMBER 2008.
- △ 5. PLATED THRU HOLE REQUIREMENTS:
FINISHED HOLE = $\varnothing 0.344 \pm 0.039$
DRILLED HOLE = $\varnothing 0.420 \pm 0.013$
COPPER THICKNESS = 0.038 ± 0.013
IMMERSION TIN IF APPLICABLE = 0.00051 ± 0.00013
- △ 6. PLATED THRU HOLE REQUIREMENTS:
FINISHED HOLE = $\varnothing 0.244 \pm 0.039$
DRILLED HOLE = $\varnothing 0.320 \pm 0.013$
COPPER THICKNESS = 0.038 ± 0.013
IMMERSION TIN IF APPLICABLE = 0.00051 ± 0.00013
- △ 7. PTH DIMENSIONS APPLY TO 1.00mm DEPTH FROM MOUNT SIDE OF PCB.
- △ 8. HOLE POSITION TOLERANCE APPLIES WITHIN PATTERN FOR CONNECTOR PATTERN TO CONNECTOR PATTERN, A 0.12 \varnothing POSITION TOLERANCE APPLIES.

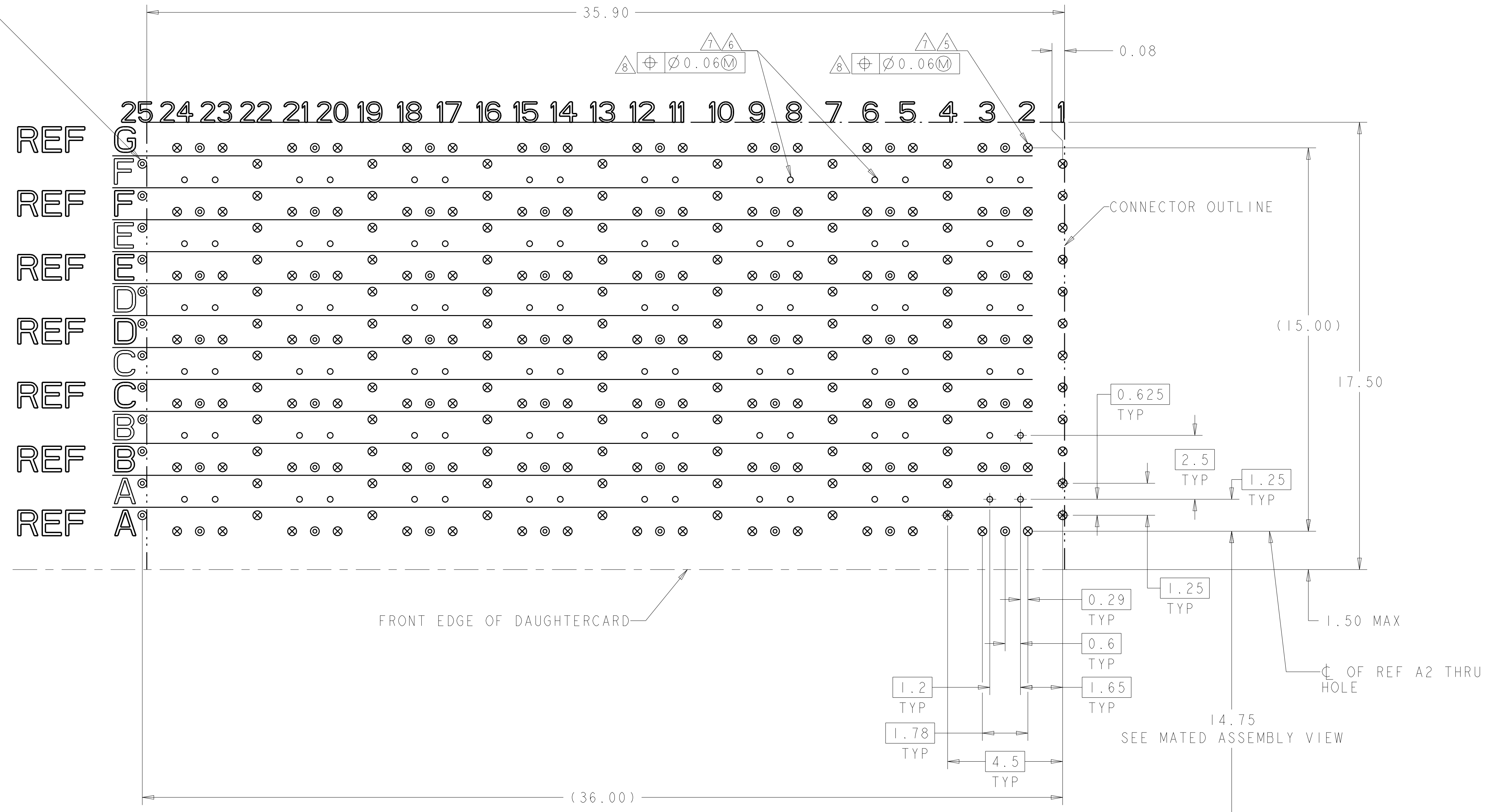


TIN	2198266-2
TIN-LEAD	2198266-1
PRESS FIT TAIL PLATING	PART NO

THIS DRAWING IS A CONTROLLED DOCUMENT.		DWN R. THOMPSON 29NOV2011	 TE Connectivity
DIMENSIONS: mm		CHK N. SWANGER 29NOV2011	
TOLERANCES UNLESS OTHERWISE SPECIFIED:		APVD N. SWANGER 29NOV2011	NAME RECEPTACLE ASSEMBLY, 6 PAIR 8 COLUMN, RIGHT ANGLE, 4.5mm PITCH, STRADA WHISPER 360
0 PLC ± 0.2	1 PLC ± 0.2	PRODUCT SPEC 2	SIZE A100779C=2198266
2 PLC ± 0.2	3 PLC ± 0.08	APPLICATION SPEC	RESTRICTED TO
4 PLC ± 0.13	5 PLC ± 0.13	WEIGHT	SCALE 5:1 SHEET 1 OF 2 REV A
ANGLES \pm	FINISH	Customer Drawing	
SEE TABLE			

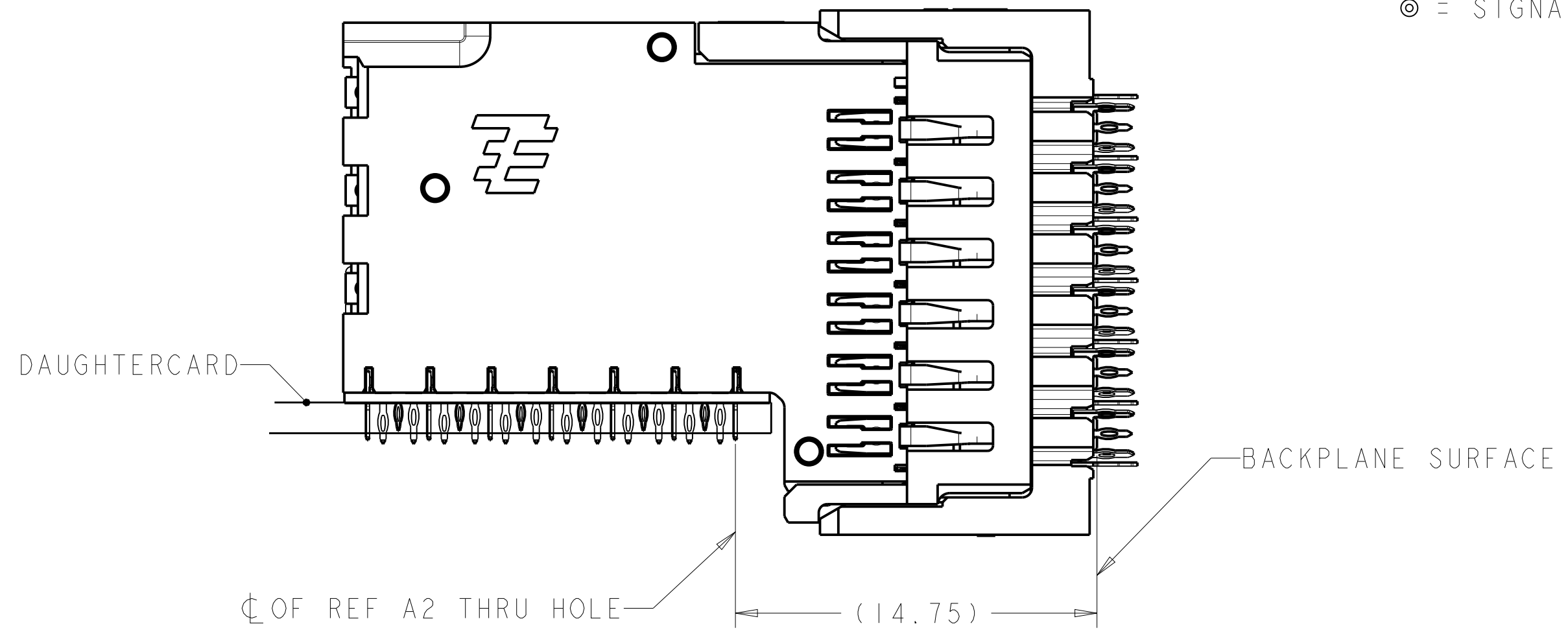
LOC	DIST	REVISIONS			
GP	00	REV	DATE	BY	APPV
		1	SEE SHEET 1		

FOOTPRINT SHOWN IS FOR SINGLE MODULE APPLICATION. WHEN CONNECTORS ARE STACKED SIDE BY SIDE, THESE SI VIAS ARE USED AS GROUNDS BY THE NEXT CONNECTOR



○ = SIGNAL
 ⊗ = GROUND
 ⊙ = SIGNAL INTEGRITY VIA TO GROUND

PCB LAYOUT
 COMPONENT SIDE SHOWN
 SCALE 10:1



MATED ASSEMBLY VIEW
 SCALE 5:1

THIS DRAWING IS A CONTROLLED DOCUMENT.		OWN: R. THOMPSON 29NOV2011 CHK: N. SWANGER 29NOV2011 APPV: N. SWANGER 29NOV2011	TE Connectivity NAME: RECEPTACLE ASSEMBLY, 6 PAIR 8 COLUMN, RIGHT ANGLE, 4.5mm PITCH, STRADA WHISPER 360
DIMENSIONS: mm	TOLERANCES UNLESS OTHERWISE SPECIFIED:	PRODUCT SPEC: 2	
0 PLC ±0.2 1 PLC ±0.2 2 PLC ±0.08 3 PLC ±0.13 4 PLC ± ANGLES ±°	APPLICATION SPEC: 114-13301 WEIGHT: - FINISH: SEE TABLE	SIZE: 114-13301 CAGE CODE: A100779 DRAWING NO: C=2198266	RESTRICTED TO: - SCALE: 5:1 SHEET: 2 OF 2 REV: A