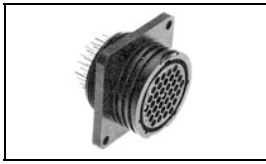


2-208224-1 Product Details

[Share](#) [Print](#) [Email](#)



2-208224-1

TE Internal Number: 2-208224-1

 Active

[View 3D PDF](#)

CPC (Circular Plastic) and Circular Metal-Shell Connectors

 Always EU RoHS/ELV Compliant (Statement of Compliance)

Product Highlights:

- Connector Assembly
- Connector Style = Receptacle
- 37 Positions
- 37 Signal Positions
- 0 Power Positions

[View all Features](#)

Quick Links

- [▶ Pricing & Availability](#)
- [▶ Search for Tooling](#)
- [▶ Product Feature Selector](#)
- [▶ Contact Us About This Product](#)

[Add to My Part List](#)

[Request Sample](#)

[Find Similar Products](#)

[Buy Product](#)

Documentation & Additional Information

Product Drawings:

- [RECEPTACLE ASSEMBLY, POSTED, REVERSE SEX, SERIES 1, ... \(PDF, English\)](#)

Catalog Pages/Data Sheets:

- [AMP Circular Connectors for Commercial Signal & Powe... \(PDF, English\)](#)

Product Specifications:

- None Available

Application Specifications:

- [Circular Plastic Connectors \(CPC\) \(PDF, English\)](#)

Instruction Sheets:

- None Available

CAD Files: [\(CAD Format & Compression Information\)](#)

- [2D Drawing \(DXF, Version BA\)](#)
- [3D Model \(IGES, Version BA\)](#)
- [3D Model \(STEP, Version BA\)](#)

[List all Documents](#)

Additional Product Images:

- [Contact Arrangement](#)
- [Keying Options](#)

Related Products:

- [Tooling](#)

Product Features (Please use the Product Drawing for all design activity)

Product Type Features:

- Connector Type = Connector Assembly
- Mount Angle = Straight
- Shell Size = 23
- PCB Mount Retention = Without
- Shell Type = All Plastic
- Product Series = Series 1
- Thread Size = 1-3/8 - 18 UNEF-2A
- Sealed = No

Mechanical Attachment:

- Mount = Panel
- Mating Retention Type = Threaded Coupling

Termination Features:

- Contact Termination Type = Through Hole
- Termination Method = Solder
- Termination End Plating = Tin
- Termination Post Length (mm [in]) = 14.15 [0.557]

Body Features:

- Mount Style = Flange with Mounting Holes

Contact Features:

- Contact Type = Socket
- Contact Plating, Mating Area, Material = Gold (30)
- Reverse Gender = Reverse
- Contact Base Material = Copper Alloy

Housing Features:

- Connector Style = Receptacle
- Mating Alignment Type = Keyed
- Housing Material = Thermoplastic - GF
- Housing Color = Black

Configuration Features:

- Number of Positions = 37
- Number of Signal Positions = 37
- Number of Power Positions = 0
- Environmental Protection = Without
- Reverse Numbering = Without

Industry Standards:

- VDE Tested = No
- RoHS/ELV Compliance = RoHS compliant, ELV compliant
- Lead Free Solder Processes = Wave solder capable to 240°C, Wave solder capable to 260°C, Wave solder capable to 265°C
- RoHS/ELV Compliance History = Always was RoHS compliant
- UL Flammability Rating = UL 94V-0

Identification Marking:

- Keying = A

Environmental:

- Fluid Resistance = None

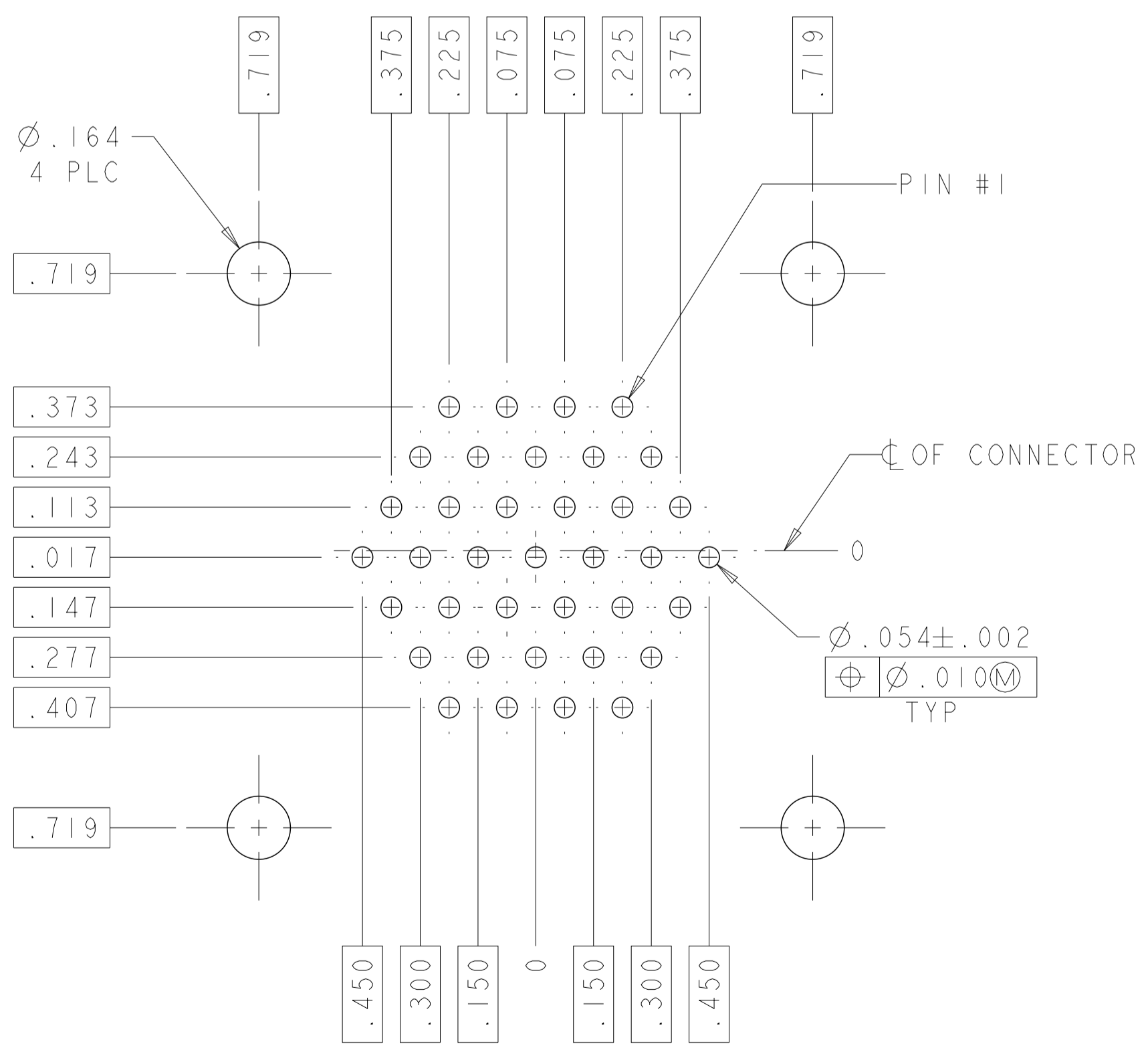
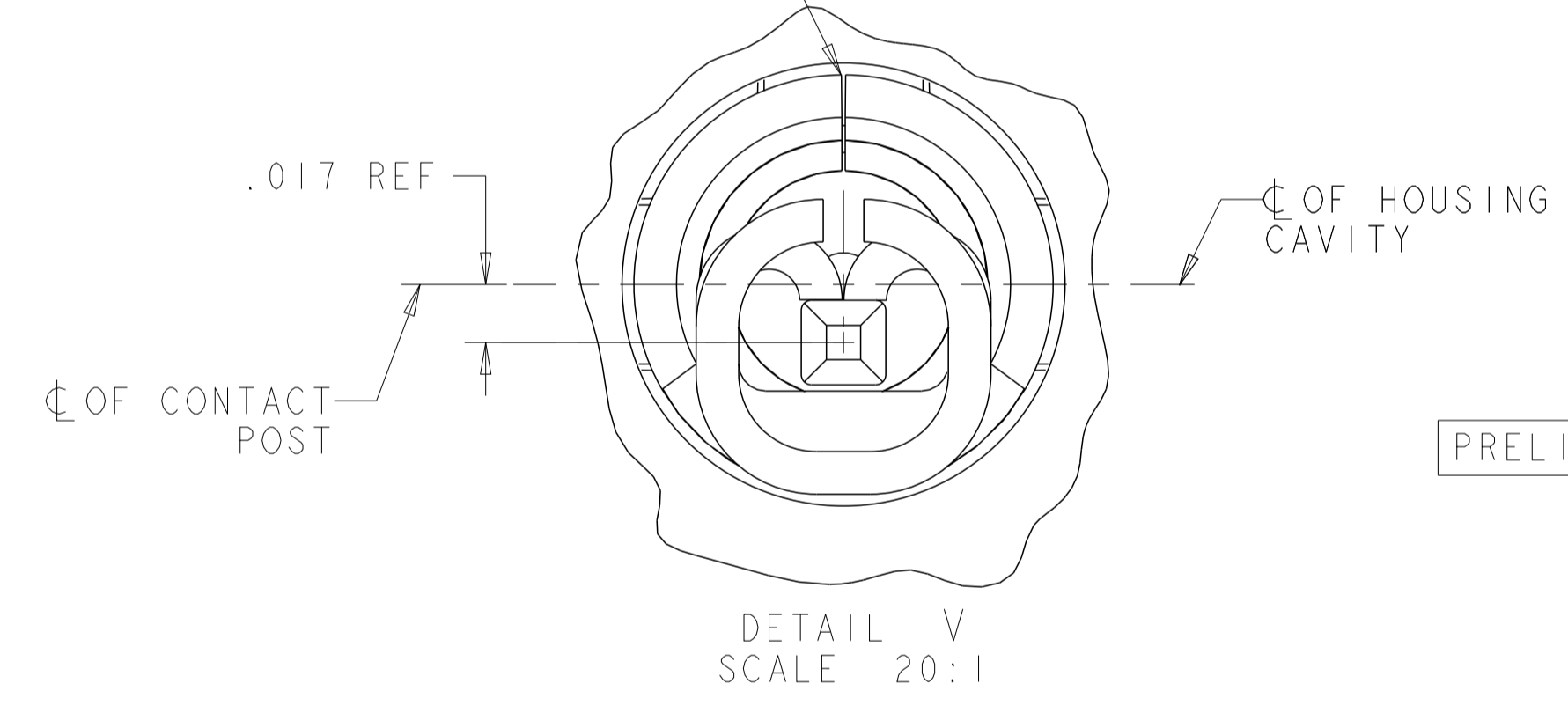
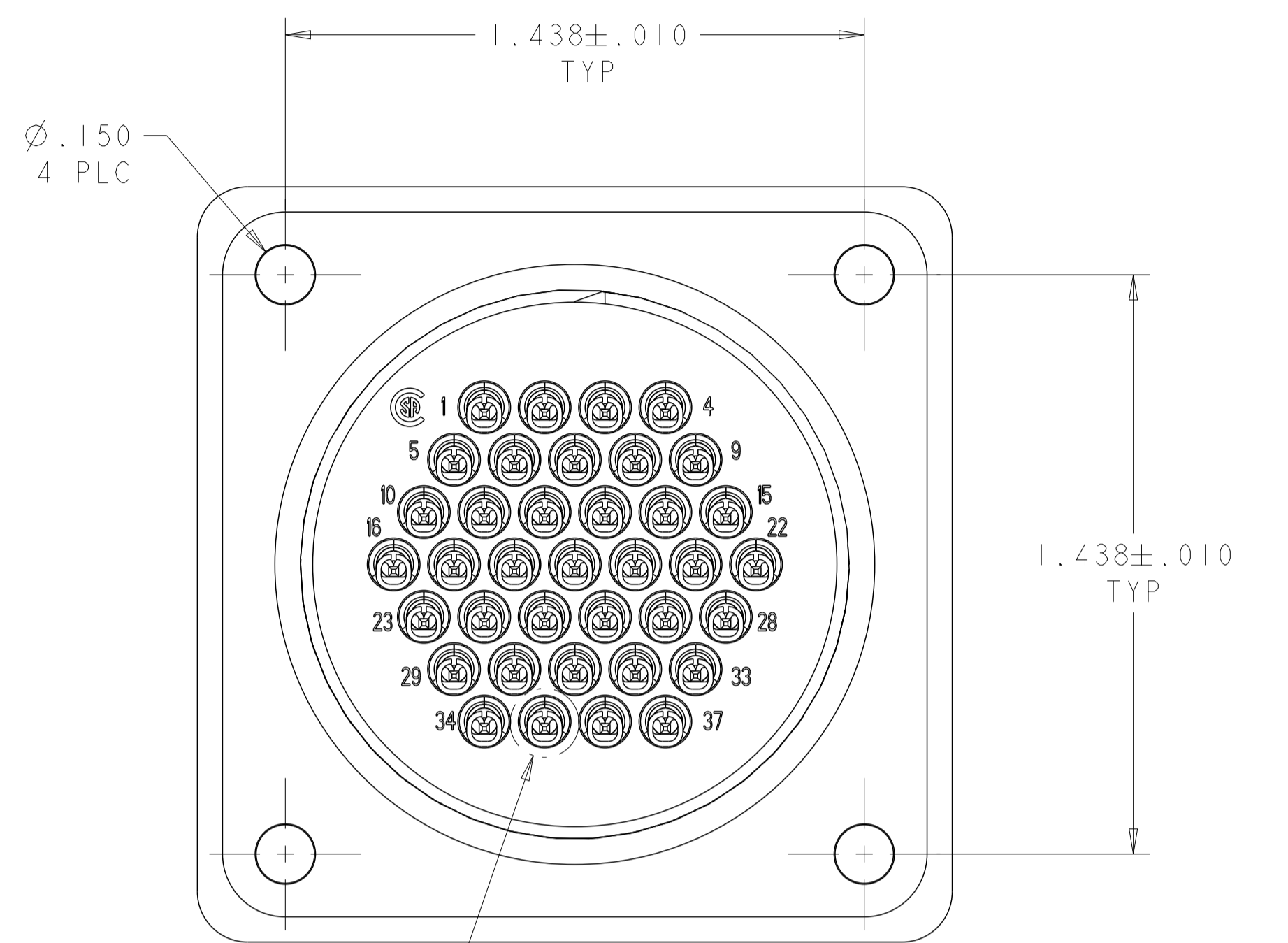
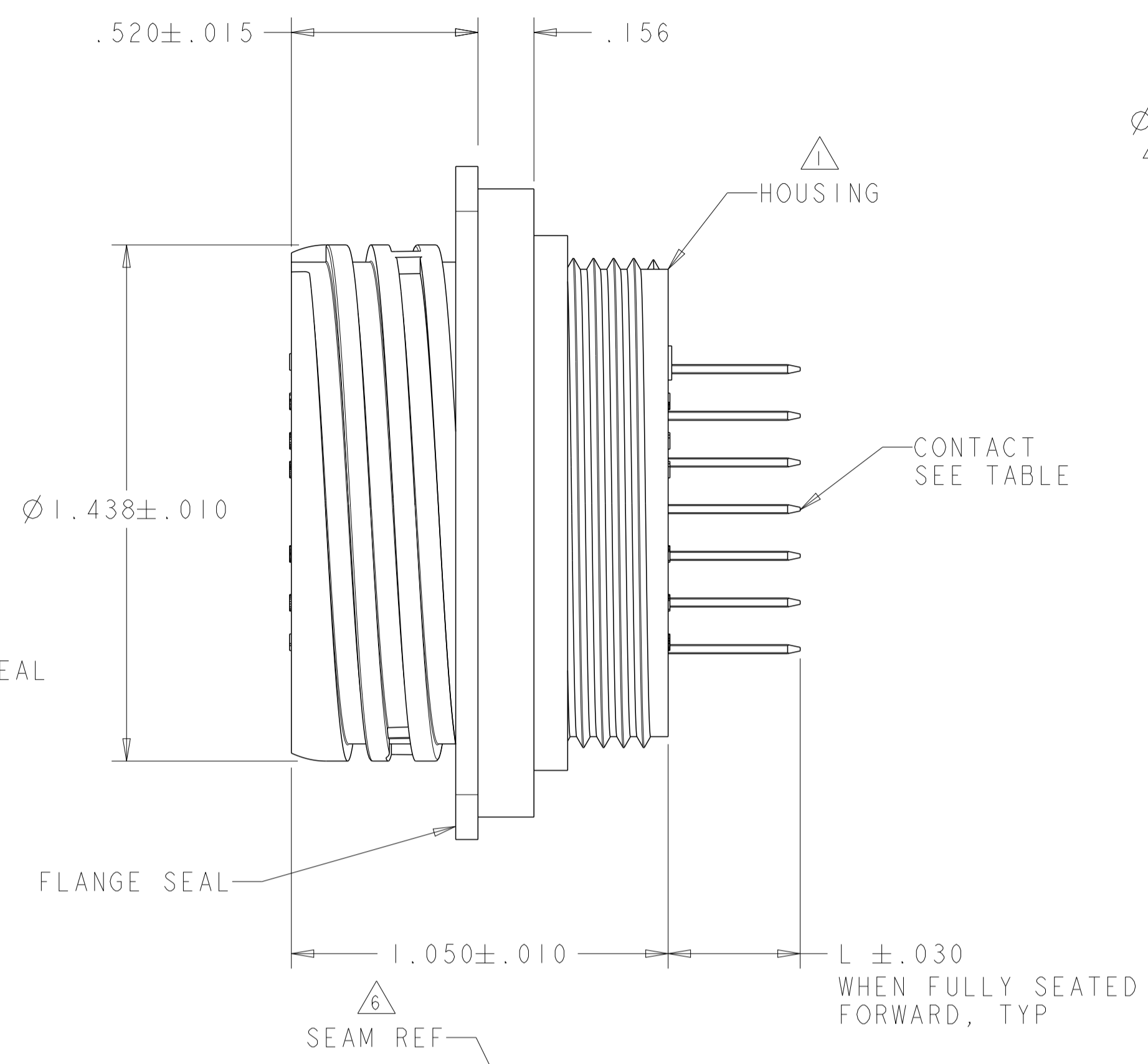
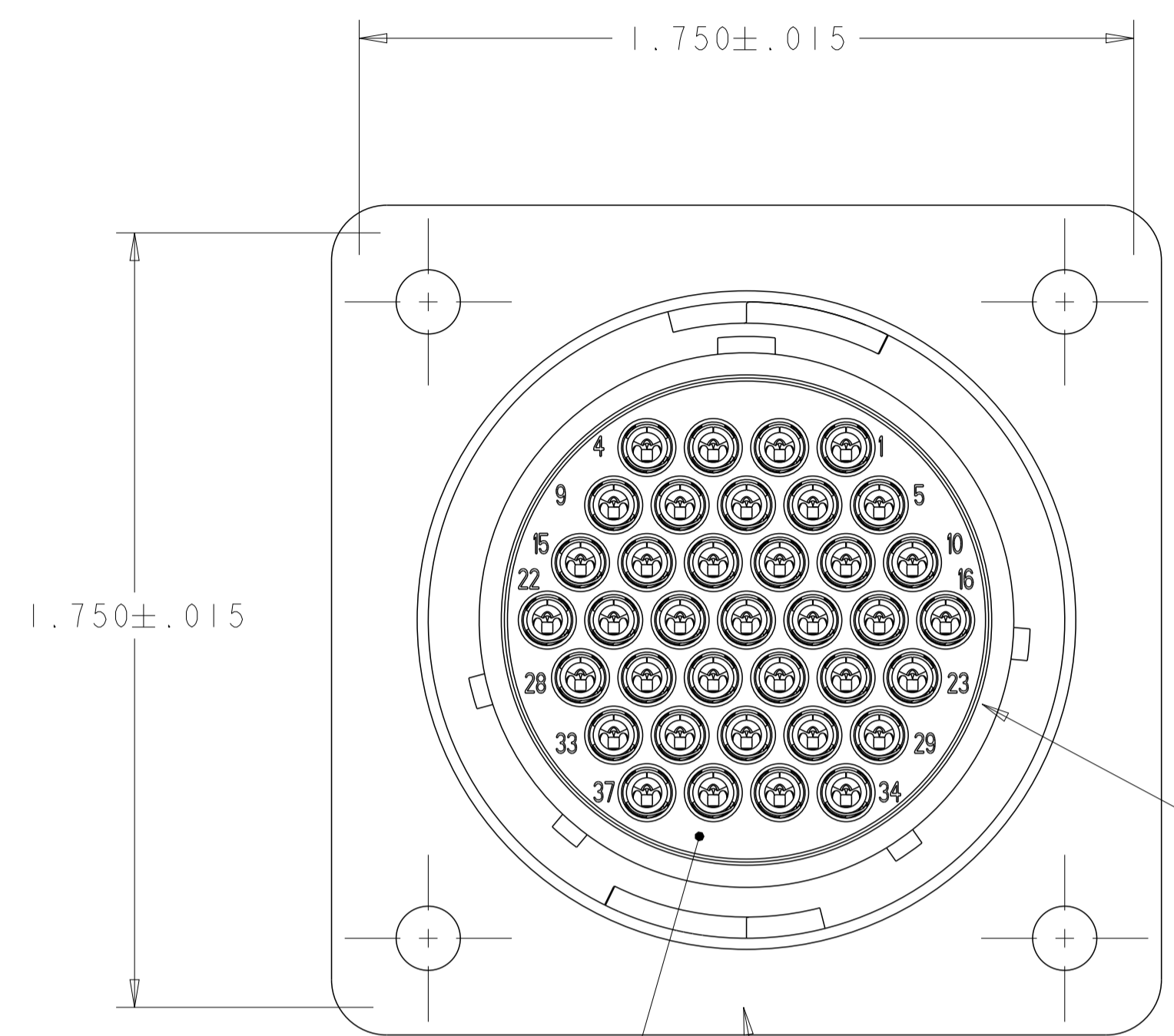
Conditions for Usage:

- Applies To = Printed Circuit Board

Other:

- Brand = AMP
- Comment = Posts are 0.43 [.017] offset from centerline of contacts. All posts must be oriented in the same plane for proper contact/post location.

LOC		DIST		REVISIONS			
FT	0	P	LTN	DESCRIPTION	DATE	DWN	APVD
		AF		REVISED PER ECO-12-015665	26SEP12	KH	MZ



RECOMMENDED PC BOARD LAYOUT

- △ HOUSING: THERMOPLASTIC, COLOR: BLACK.
- △ PERIPHERAL SEAL: ELASTOMER, COLOR: GRAY.
- △ CONTACT:
 BODY - BRASS, .000030 MIN GOLD FOR A LENGTH OF .200 MIN FROM MATING END, GOLD FLASH ON REMAINDER, BOTH OVER .000050 MIN NICKEL.
 POST - BRASS, .000100 MIN TIN-LEAD OVER .000100 MIN COPPER.
- △ CONTACT:
 BODY - BRASS, .000100 MIN TIN-LEAD OVER .000050 MIN NICKEL.
 POST - BRASS, .000100 MIN TIN-LEAD OVER .000100 MIN COPPER.
- △ CONTACT:
 BODY - BRASS, .000100 MIN TIN OVER .000050 MIN NICKEL.
 POST - BRASS, .000100 MIN TIN OVER .000050 MIN NICKEL.
- △ .009 MAXIMUM CONTACT LEAD-IN SEAM GAP PERMISSIBLE ON MATING FACE END.
- △ CONTACT:
 BODY - BRASS, .000030 MIN GOLD FOR A LENGTH OF .200 MIN FROM MATING END, GOLD FLASH ON REMAINDER, BOTH OVER .000050 MIN NICKEL.
 POST - BRASS, .000100 MIN TIN OVER .000100 MIN COPPER.
- △ CONTACT:
 BODY - BRASS, .000100 MIN TIN OVER .000050 MIN NICKEL.
 POST - BRASS, .000100 MIN TIN OVER .000100 MIN COPPER.
- △ FLANGE SEAL: ELASTOMER, COLOR: BLACK.

PRELIMINARY	NO	NO	.490	△7	ALL	2-208224-8
	YES	YES	.368	△7	1-17, 19-37	2-208224-5
	NO	NO	.557	△3	1-9, 11-31, 33-37	2-208224-4
	NO	YES	.557	△3	ALL	2-208224-3
	NO	NO	.368	△7	ALL	2-208224-2
	NO	NO	.557	△7	ALL	2-208224-1
	NO	YES	.368	△8	1-10, 12-29, 31-37	1-208224-8
	NO	YES	.368	△8	4,8,10,23,31,34-36	1-208224-7
	NO	YES	.368	△8	1-10, 12-29, 31-37	1-208224-6
	NO	YES	.368	△5	1-22, 24-37	1-208224-5
	NO	NO	.368	△5	ALL	1-208224-3
	NO	YES	.368	△5	1-10, 12-29, 31-37	1-208224-2
	NO	YES	.368	△5	1-22, 24-37	1-208224-1
	NO	YES	.368	△4	1-10, 12-29, 31-37	1-208224-0
	NO	NO	.368	△3	ALL	208224-9
	NO	YES	.368	△4	1-22, 24-37	208224-5
	NO	YES	.368	△4	4,8,10,23,31,34-36	208224-4
	NO	YES	.368	△4	1-10, 12-29, 31-37	208224-3
	NO	NO	.368	△4	ALL	208224-2
	NO	NO	.557	△3	ALL	208224-1
FLANGE SEAL	PERIPHERAL SEAL	L	CONTACT FINISH	SELECT LOADED IN POSITIONS	PART NUMBER	

THIS DRAWING IS A CONTROLLED DOCUMENT. DWG: S.WELDON 26FEB2003
 CHK: S.HEADER 26FEB2003
 APVD: S.HEADER 26FEB2003

TE Connectivity

RECEPTACLE ASSEMBLY, POSTED, REVERSE SEX, SERIES 1, 23-37, CPC

SCALE 3:1 SHEET 1 OF 1 REV AF