

THIS DRAWING IS UNPUBLISHED. RELEASED FOR PUBLICATION 20
 © COPYRIGHT 20 BY - ALL RIGHTS RESERVED.

LOC	DIST	REVISIONS					
CM	00	P	LTR	DESCRIPTION	DATE	DWN	APVD
			A	REVISED PER ECR-10-025509	15DEC2010	HMR	DD
			AI	REVISED PER ECR-12-003555	19APR2012	RS	DD

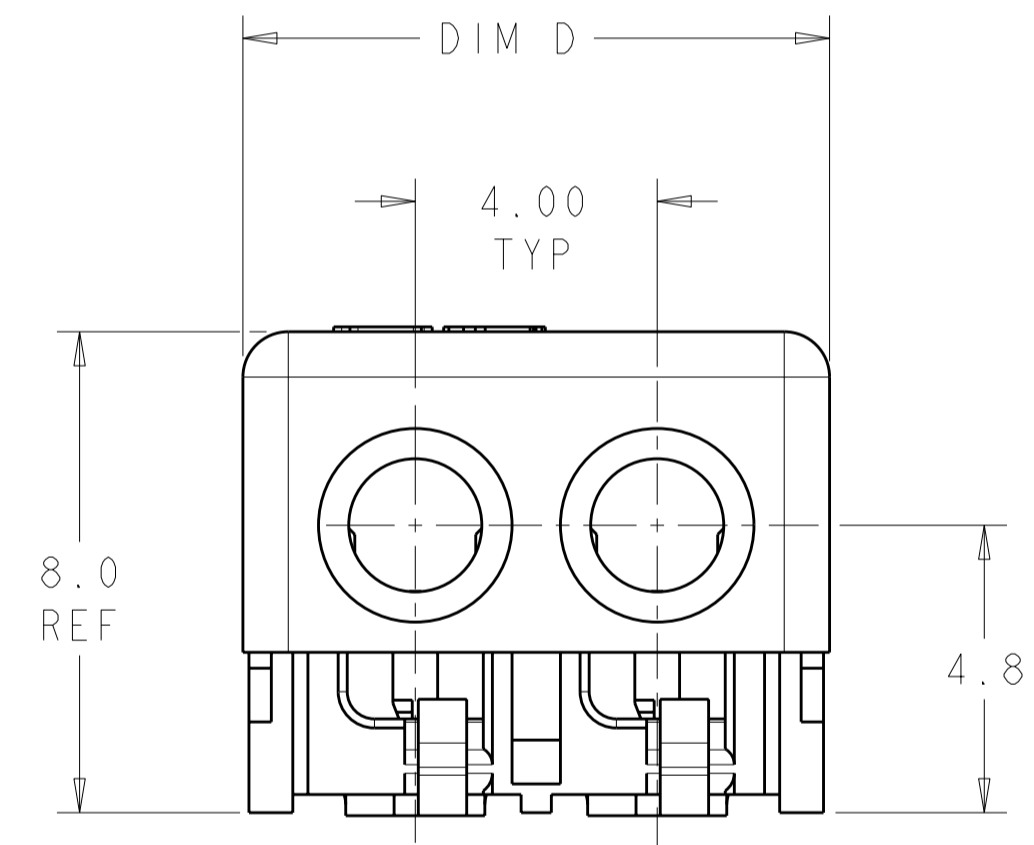
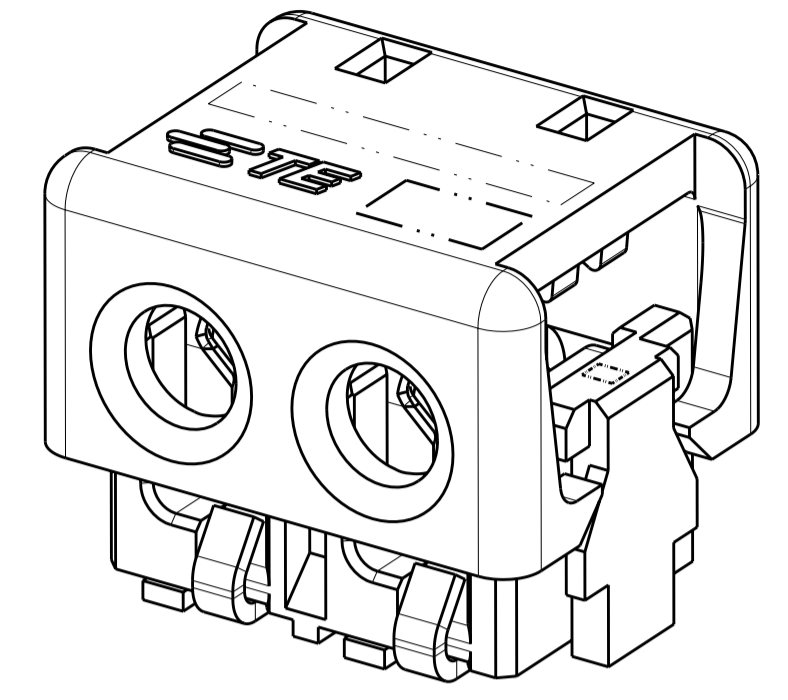
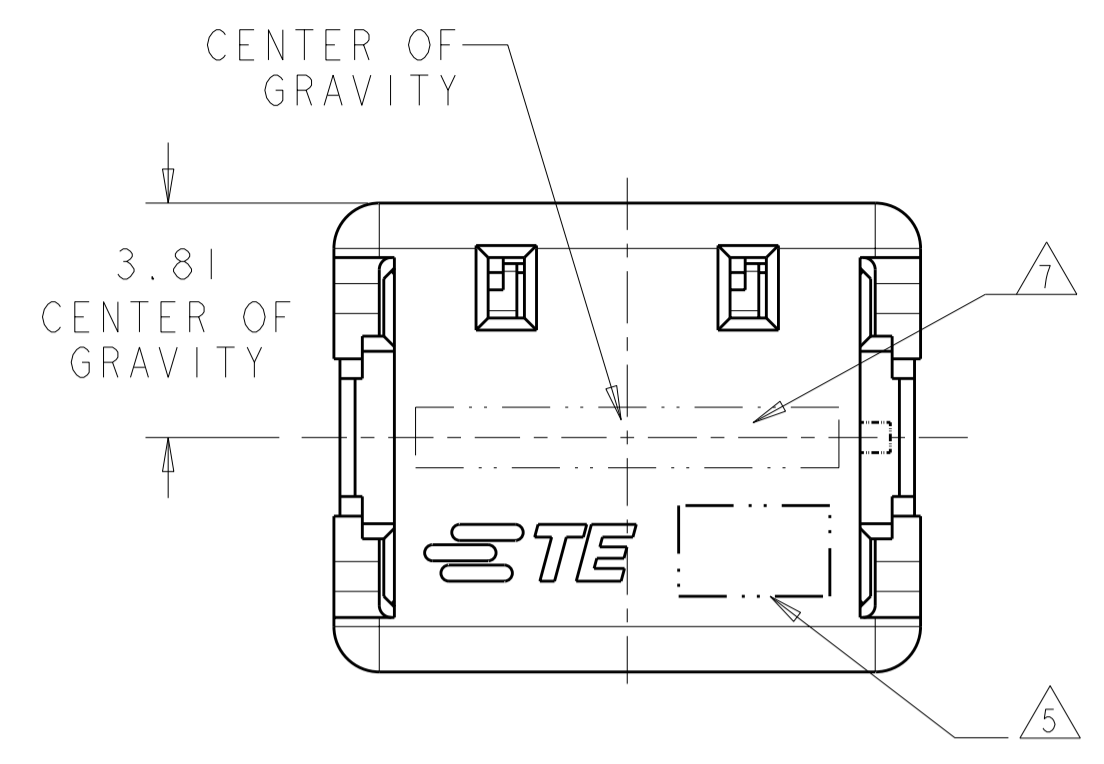
- 1 MATERIALS AND FINISH:
 - HOUSING: LCP, COLOR: NATURAL
 - CONTACTS: COPPER ALLOY, FINISH: Sn OVER Ni
- 2. COMPLY WITH DIRECTIVE 2002/95/EC (ROHS).
- 3. 18-22AWG SOLID OR STRANDED WIRE, PRE-BONDED, 19 STRANDS OR LESS:
 - 18AWG MAX INSULATION OD: 2.20
 - 20AWG MAX INSULATION OD: 1.90
 - 22AWG MAX INSULATION OD: 1.70
 - 24AWG MAX INSULATION OD: 1.45
- 4. PACKAGE IN TAPE AND REEL PER EIA-481 SPECIFICATION, EXCEPT I POSITION CONNECTOR.
- 5 WIRE SIZE MARKING IN APPROXIMATE LOCATION SHOWN.
- 6 DATUMS AND BASIC DIMENSIONS ESTABLISHED BY CUSTOMER.
- 7 COLOR CODE MARKING, STRAIGHT LINE.
- 8 I POSITION ASSEMBLY DOES NOT COMPLY WITH EIA 481 SPECIFICATION.
- 9 PART NUMBER, NOT UL RECOGNIZED

COLOR CODE	DIM D	WIRE SIZE	POSN	COLOR	PART NUMBER
BLUE	9.70	20 AWG	2	BLACK	5-2106003-2 ⁹
RED	17.70	24 AWG	4	NATURAL	3-2106003-4
	13.70	24 AWG	3	NATURAL	3-2106003-3
	9.70	24 AWG	2	NATURAL	3-2106003-2
	5.70	24 AWG	1	NATURAL	3-2106003-1
GREEN	17.70	22 AWG	4	NATURAL	2-2106003-4 ⁸
	13.70	22 AWG	3	NATURAL	2-2106003-3
	9.70	22 AWG	2	NATURAL	2-2106003-2
	5.70	22 AWG	1	NATURAL	2-2106003-1 ⁸
BLUE	17.70	20 AWG	4	NATURAL	1-2106003-4
	13.70	20 AWG	3	NATURAL	1-2106003-3
	9.70	20 AWG	2	NATURAL	1-2106003-2
	5.70	20 AWG	1	NATURAL	1-2106003-1 ⁸
YELLOW	17.70	18 AWG	4	NATURAL	2106003-4
	13.70	18 AWG	3	NATURAL	2106003-3
	9.70	18 AWG	2	NATURAL	2106003-2
	5.70	18 AWG	1	NATURAL	2106003-1 ⁸

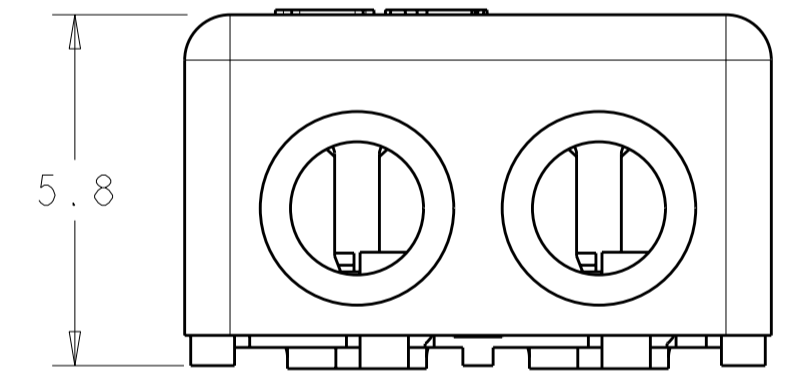
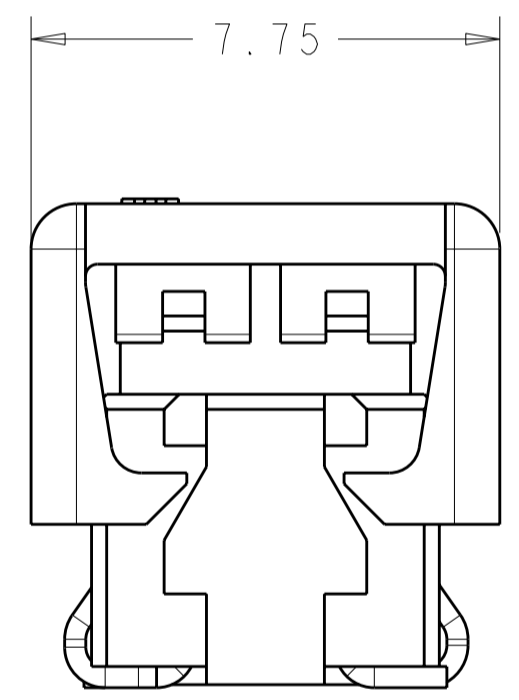
THIS DRAWING IS A CONTROLLED DOCUMENT.		DWN C DAILY 09DEC2008	STE TE Connectivity	
		CHK J DYER 09DEC2008		
DIMENSIONS: mm		TOLERANCES UNLESS OTHERWISE SPECIFIED:		NAME
<ul style="list-style-type: none"> 0 PLC ±- 1 PLC ±0.5 2 PLC ±0.13 3 PLC ±- 4 PLC ±- ANGLES ±- FINISH ±- 		APVD -	PRODUCT SPEC 108-2404	ASSEMBLY, IDC SSL CONNECTOR, SMT, CLOSED END
MATERIAL		APVD -	APPLICATION SPEC 114-13266	RESTRICTED TO -
		WEIGHT -	SIZE A2	CAGE CODE 00779
		DRAWING NO 2106003		SCALE 2:1
		CUSTOMER DRAWING		SHEET 1 OF 4 REV AI

THIS DRAWING IS UNPUBLISHED. RELEASED FOR PUBLICATION 20
 © COPYRIGHT 20 BY - ALL RIGHTS RESERVED.

LOC	DIST	REVISIONS					
CM	00	P	LTR	DESCRIPTION	DATE	DWN	APVD
		-		SEE SHEET 1			



2 POSITION
SHOWN AS SHIPPED

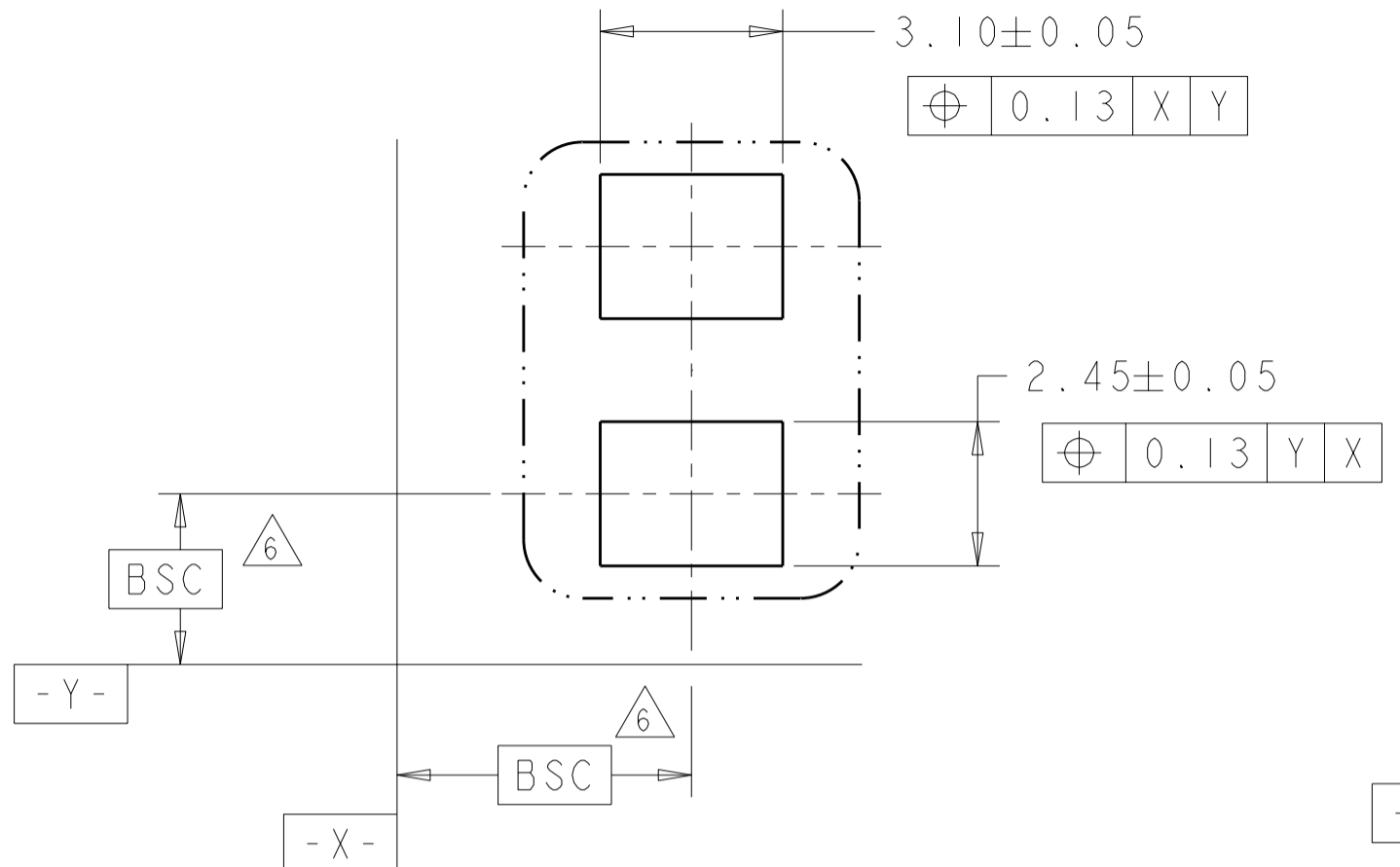


2 POSITION
SHOWN CLOSED
SCALE 8:1

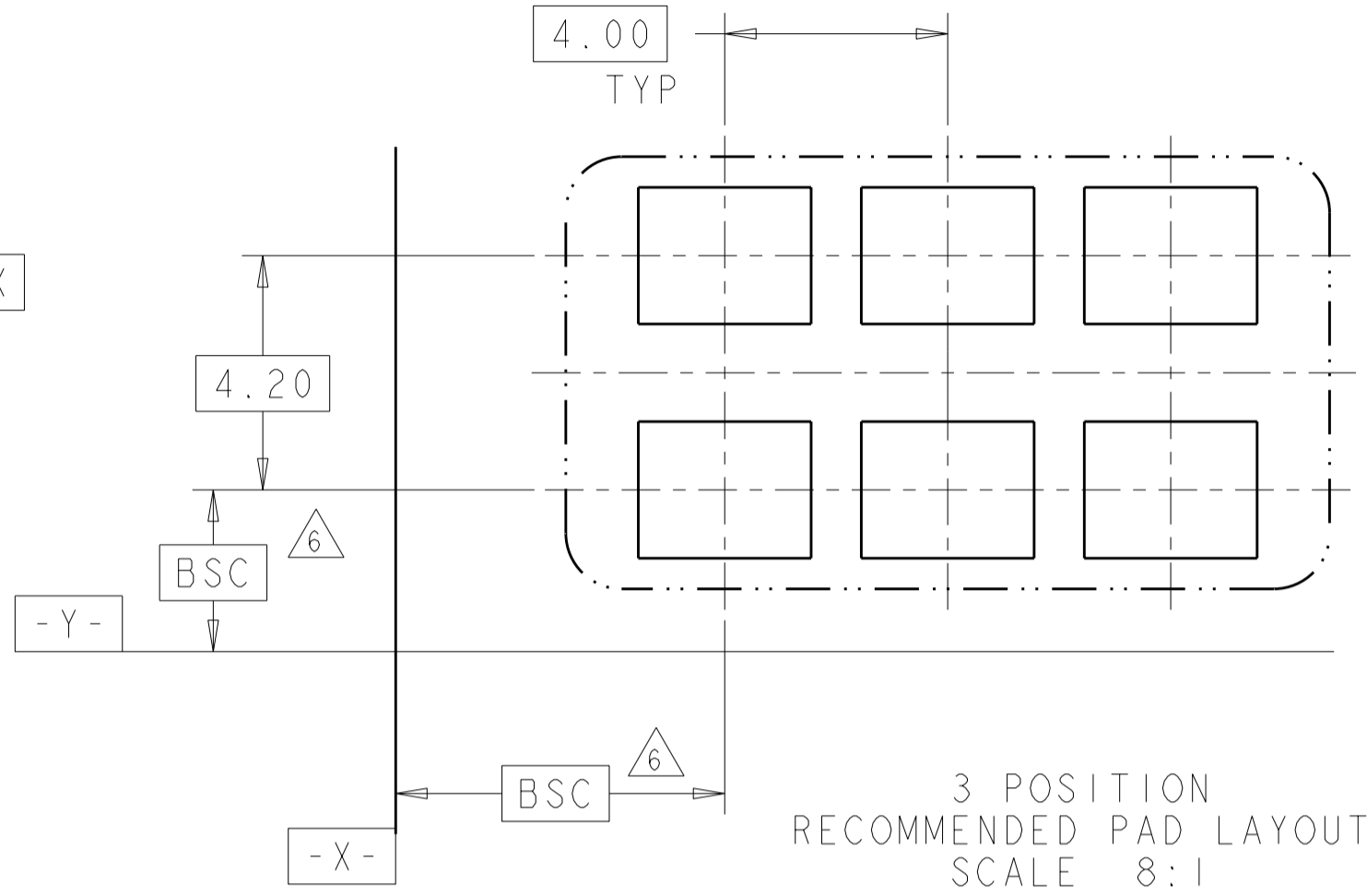
THIS DRAWING IS A CONTROLLED DOCUMENT.		DWN C DAILY 09DEC2008		
		CHK J DYER 09DEC2008		
DIMENSIONS:		APVD -	NAME	
mm	TOLERANCES UNLESS OTHERWISE SPECIFIED:	PRODUCT SPEC	ASSEMBLY, IDC SSL CONNECTOR, SMT, CLOSED END	
	0 PLC ±-	108-2404	SIZE	CAGE CODE
	1 PLC ±0.5	APPLICATION SPEC	A200779	DRAWING NO
	2 PLC ±0.13	114-13266	C-2106003	RESTRICTED TO
	3 PLC ±-	WEIGHT		-
	4 PLC ±-	CUSTOMER DRAWING	SCALE 2:1	SHEET 2 OF 4
MATERIAL	FINISH			REV A1

THIS DRAWING IS UNPUBLISHED. RELEASED FOR PUBLICATION 20
 © COPYRIGHT 20 BY - ALL RIGHTS RESERVED.

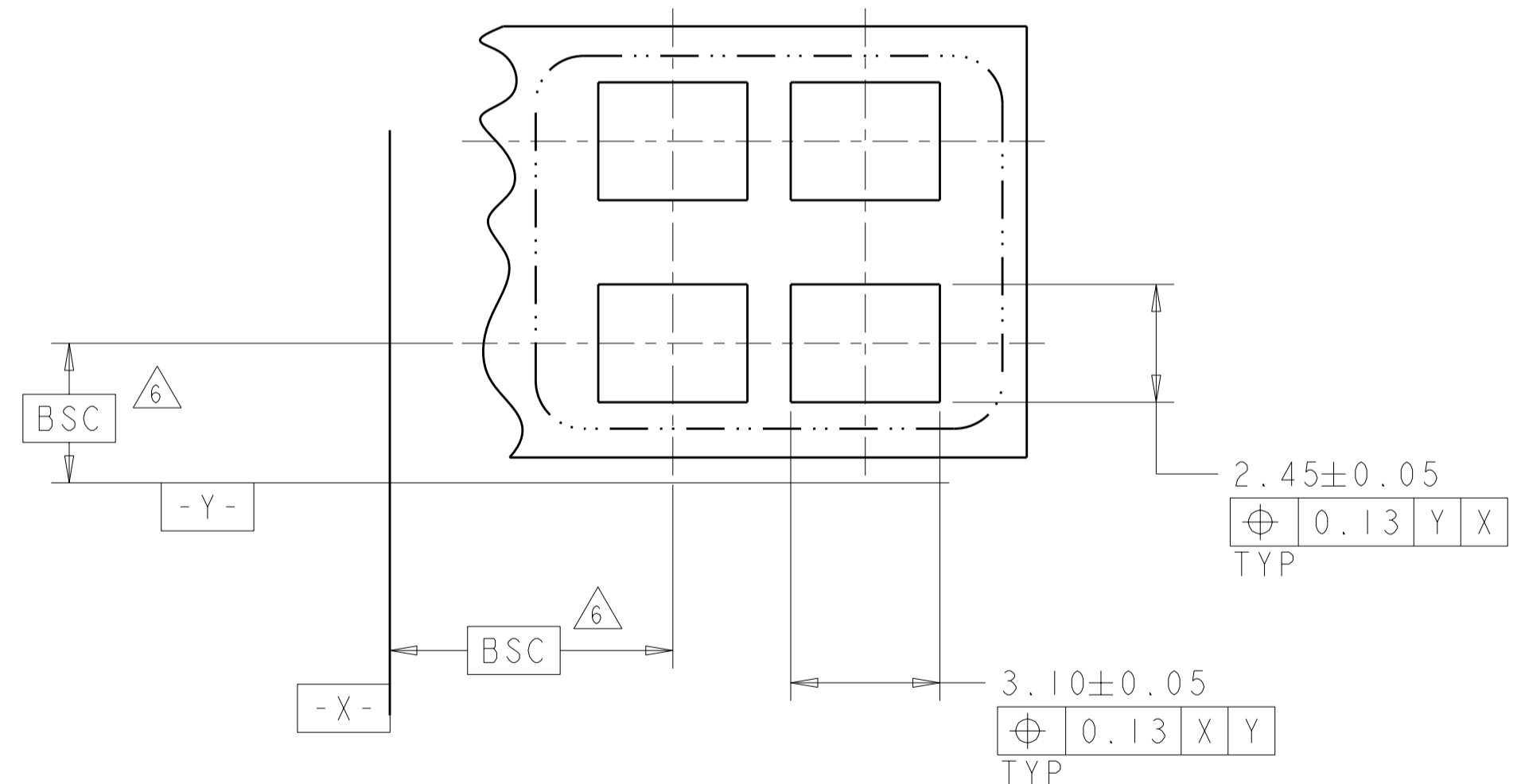
LOC	DIST	REVISIONS				
P	LTR	DESCRIPTION	DATE	DWN	APVD	
CM	00	SEE SHEET 1				



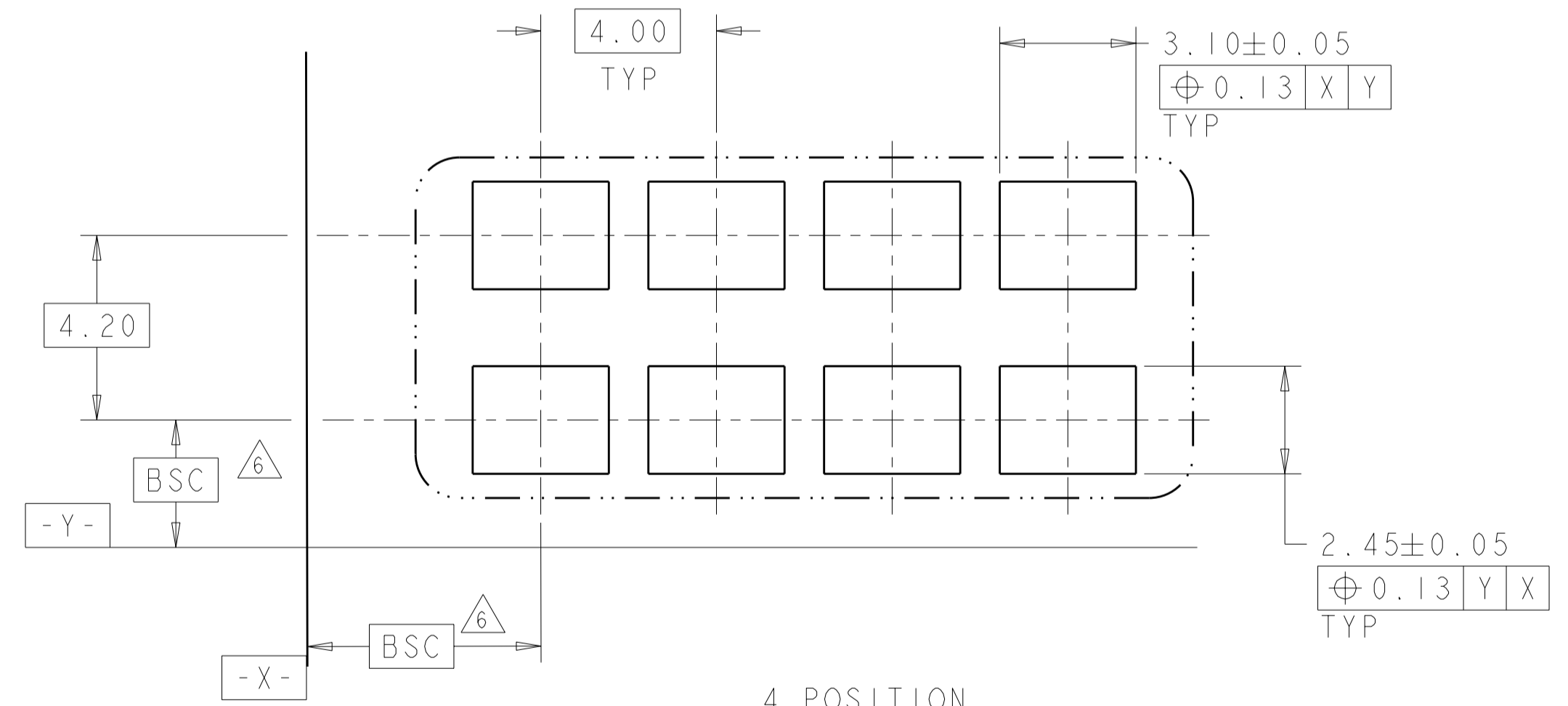
1 POSITION
RECOMMENDED PAD LAYOUT
SCALE 8:1



3 POSITION
RECOMMENDED PAD LAYOUT
SCALE 8:1



2 POSITION
RECOMMENDED PAD LAYOUT
SCALE 8:1

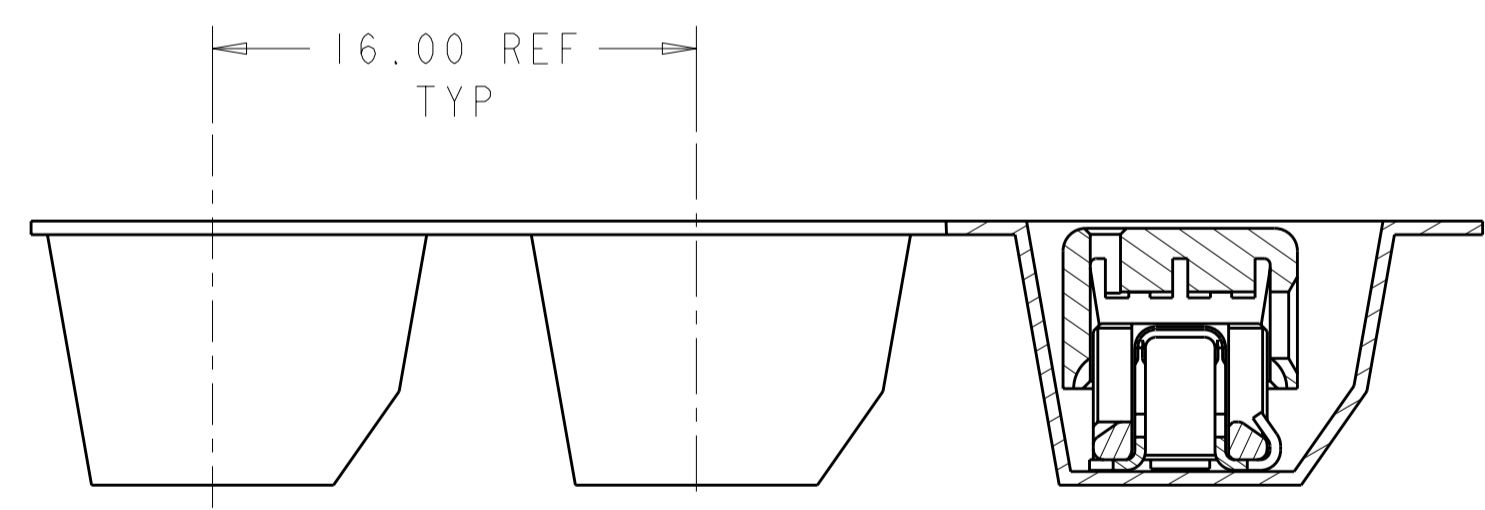
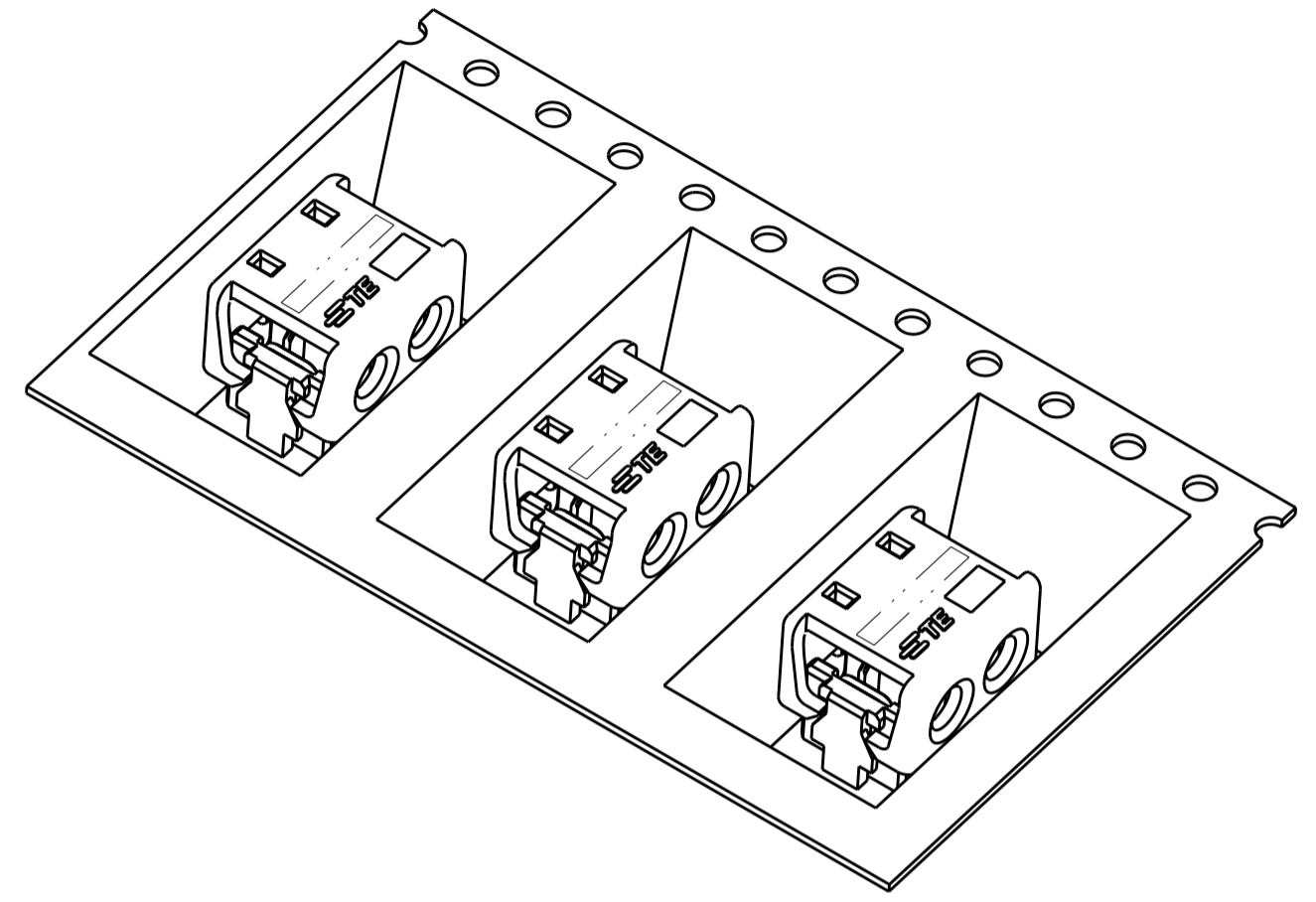
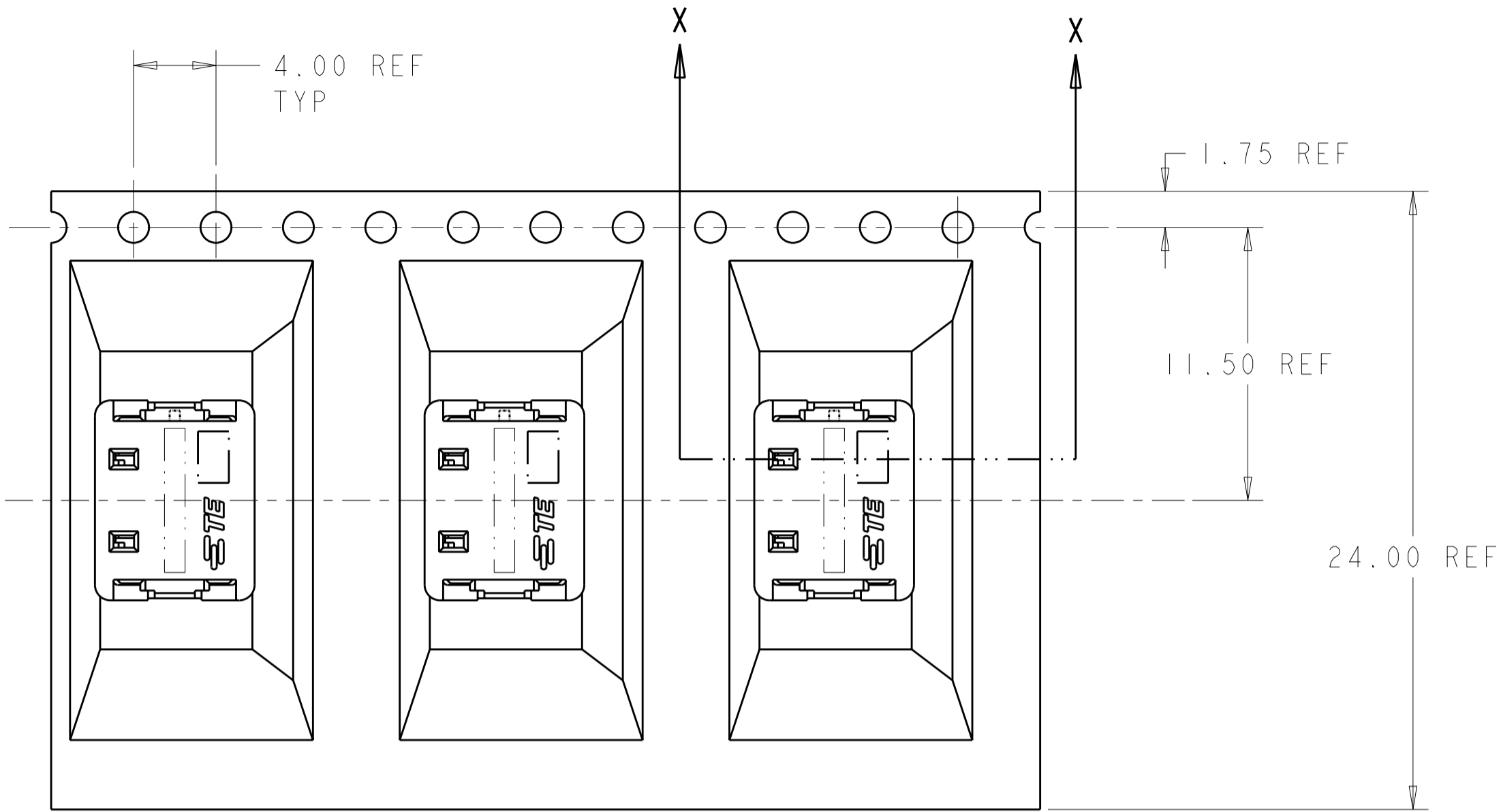


4 POSITION
RECOMMENDED PAD LAYOUT
SCALE 8:1

THIS DRAWING IS A CONTROLLED DOCUMENT.		DWN C DAILY 09DEC2008	TE Connectivity	
DIMENSIONS: mm		CHK J DYER 09DEC2008		
TOLERANCES UNLESS OTHERWISE SPECIFIED:		APVD -	NAME ASSEMBLY, IDC SSL CONNECTOR, SMT, CLOSED END	
0 PLC ±0.5		PRODUCT SPEC 108-2404	SIZE CAGE CODE DRAWING NO	
1 PLC ±0.13		APPLICATION SPEC 114-13266	A200779C-2106003	
2 PLC ±0.13		WEIGHT -	RESTRICTED TO	
3 PLC ±0.13		CUSTOMER DRAWING	SCALE 2:1 SHEET 3 OF 4 REV A1	
4 PLC ±0.13				
ANGLES ±				
FINISH				

THIS DRAWING IS UNPUBLISHED. RELEASED FOR PUBLICATION 20
 © COPYRIGHT 20 BY - ALL RIGHTS RESERVED.

LOC	DIST	REVISIONS					
CM	00	P	LTR	DESCRIPTION	DATE	DWN	APVD
		-		SEE SHEET 1			



SECTION X-X

2106003-2 SHOWN IN POCKET TAPE

THIS DRAWING IS A CONTROLLED DOCUMENT.		DWN C DAILY 09DEC2008	TE Connectivity	
		CHK J DYER 09DEC2008		
DIMENSIONS: mm		TOLERANCES UNLESS OTHERWISE SPECIFIED:		NAME
		0 PLC ±-	1 PLC ±0.5	PRODUCT SPEC
		2 PLC ±0.13	3 PLC ±-	108-2404
		4 PLC ±-	ANGLES ±-	APPLICATION SPEC
		FINISH ±-		114-13266
MATERIAL	-	WEIGHT	-	SIZE CAGE CODE DRAWING NO
		CUSTOMER DRAWING		A200779C-2106003
		SCALE	4:1	RESTRICTED TO
		SHEET	4 OF 4	REV A1