

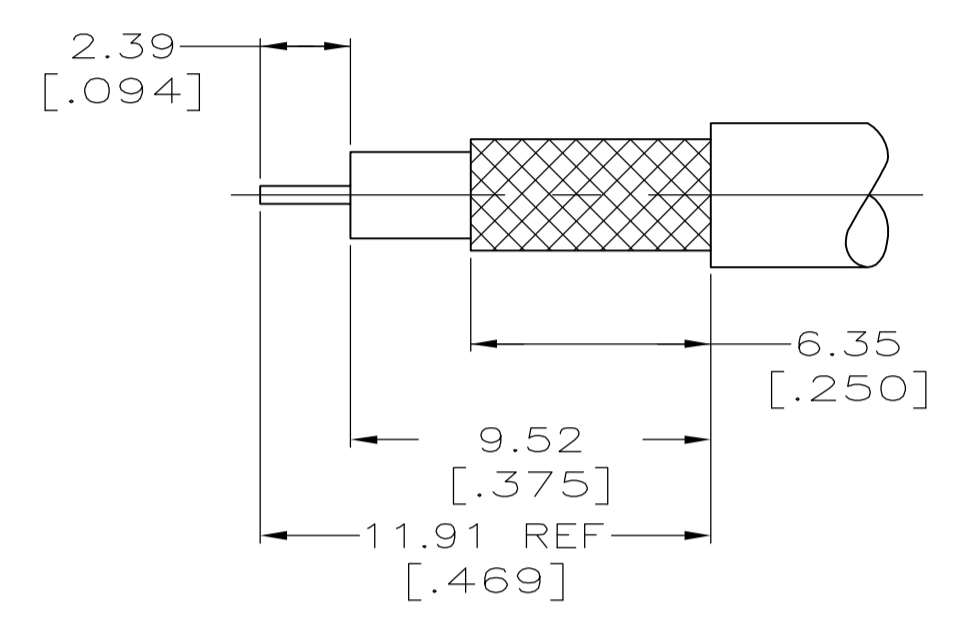
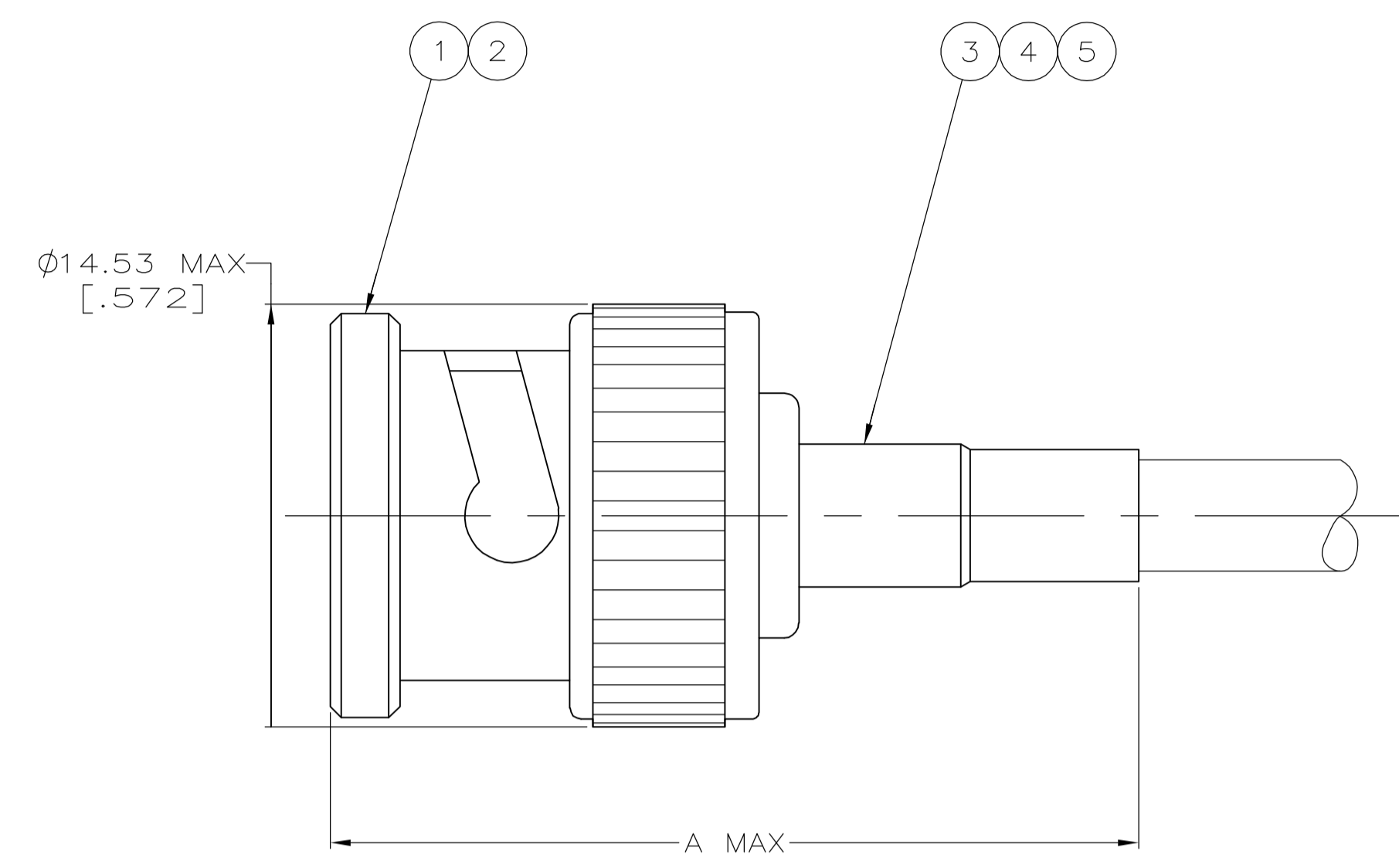
Distributed by:

**JAMECO**<sup>®</sup>  
ELECTRONICS

**www.Jameco.com ♦ 1-800-831-4242**

The content and copyrights of the attached  
material are the property of its owner.

Jameco Part Number 920923



RECOMMENDED STRIP LENGTH

- USE INSTRUCTION SHEET 408-9088
- SPECIAL USE OF PRO-CRIMPER HAND TOOL AND DIE, USE RG-59 SQUARE CRIMP ON THE CENTER CONTACT AND RG-58 ROUND CRIMP ON THE FERRULE
- SEE SEPARATE RESTRICTED CUSTOMER DRAWING WITH THIS PART NUMBER

	RG-59 TYPE,C.C=.031 DIA,CAROL COLUMBIA,C1103	27.69	[1.090]	.044	.240	354940-1	58536-1	-	-	9-50428-0	1-221182-0	221184-2	9-221185-4
	RG-179/U,179A/U,179B/U,187/U,187A/U	28.96	[1.140]	.044	.104/.170	354940-1	318451-2	227194-2	222001-4	9-328666-0	1-221182-2	221184-3	9-221185-3
	RG-6/U,6A/U	37.85	[1.490]	.044	.330	354940-1	58538-1	-	-	9-51713-1	1-221182-0	221184-5	9-221185-2
	RG-59/U,59A/U,59B/U	27.69	[1.090]	.044	.240	354940-1	58536-1	-	-	9-50428-0	221182-2	221184-2	9-221185-1
	BELDEN 9248	27.69	[1.090]	.044	.265	354940-1	58536-1	-	-	9-50427-0	221182-8	221184-1	9-221185-0
	BELDEN 643948	29.72	[1.170]	.044	.240	354940-1	58435-1	-	-	9-221132-0	1-221182-0	221184-8	3-221185-6
OBSOLETE	BELDEN 633938	27.69	[1.090]	.044	.265	354940-1	58536-1	-	-	9-50428-0	221182-8	221184-1	3-221185-5
	C&M 17189	28.96	[1.140]	.044	.104/.170	354940-1	318451-2	414932-2	-	9-328666-0	1-221182-6	221184-3	3-221185-4
OBSOLETE	BELDEN 88281	27.69	[1.090]	.044	.330	354940-1	58538-1	-	-	9-221132-2	1-221182-0	221184-1	3-221185-3
	COMSCOPE F59 HEC-2	28.96	[1.140]	.044	.265	354940-1	58536-1	-	-	9-50427-0	1-221182-0	221184-2	3-221185-1
OBSOLETE	-	-	-	-	-	-	-	-	-	-	-	-	3-221185-0
	COMM/SCOPE S59HEC	28.96	[1.140]	.044	.265	354940-1	58536-1	-	-	9-50427-0	221182-2	221184-6	2-221185-9
OBSOLETE	MADISON 9292, 9296 OR MONTROSE 8686, 8687	28.96	[1.140]			354940-1	58435-1	-	-	9-50427-1	221182-2	221184-7	2-221185-8
OBSOLETE	RG-59 TYPE,C.C=.031 DIA,CAROL COLUMBIA,C1103	27.69	[1.090]	.044	.240	354940-1	58536-1	-	-	9-50428-0	1-221182-0	221184-2	2-221185-7
	BELDEN 8281, 9231	31.75	[1.250]	.044	.330	354940-1	58538-1	-	-	9-50427-2	1-221182-0	221184-4	2-221185-6
OBSOLETE	MADISON 9292, 9296 OR MONTROSE 8686, 8687	28.96	[1.140]	-	-	354940-1	58435-1	-	-	9-50427-1	221182-2	221184-7	2-221185-5
OBSOLETE	C&M CABLE 25785	28.96	[1.140]	-	-	354940-1	58304-4	-	-	3-328666-6	221182-4	221184-6	2-221185-4
	MONTROSE CBL8196	28.96	[1.140]	.044	NOT ROUND	354940-1	58174-1	-	-	9-329461-2	221182-2	221184-3	2-221185-3
	ERICSSON TZC	28.96	[1.140]	-	-	354940-1	58304-3	-	-	1-221182-2	221182-2	221184-3	2-221185-2
	CUSTOM CABLE (JOD=.105, DOD=.062, COD=.015)	28.96	[1.140]	.044	.104/.170	354940-1	318451-2	227194-2	222001-4	9-328666-0	221182-6	221184-3	2-221185-0
SUPERSEDED BY 221185-5	GEPCO VP6000	30.20	[1.189]	-	30.20 [1.189]	354940-1	220189-7	-	-	9-221132-2	1-221182-0	221184-4	1-221185-9
	AT&T 735A	28.96	[1.140]	.044	NOT ROUND	354940-1	58174-1	-	-	9-328666-2	221182-6	221184-3	1-221185-8
OBSOLETE	RG-6 TYPE	37.85	[1.490]	-	-	354940-1	220189-7	-	-	9-51713-1	1-221182-6	221184-5	1-221185-7
SUPERSEDED BY 221185-1	MADISON CABLE TYPE CL2P WITH 18 AWG CENTER CONDUCTOR	27.69	[1.090]	-	-	354940-1	58086-1	-	-	9-50427-0	221182-8	221184-1	1-221185-6
	BELDEN 1164A, 1167A	28.45	[1.120]	.044	NOT ROUND	354940-1	58174-1	-	-	9-329461-0	1-221182-6	221184-3	1-221185-5
OBSOLETE	AT&T KS 19224 L2 CABLE	28.96	[1.140]	-	-	354940-1	58174-1	227194-2	222001-4	9-328666-2	1-221182-2	221184-3	1-221185-4
OBSOLETE	ASTRO 20-435-B OR 20-405-E	28.96	[1.140]	.044	NOT ROUND	354940-1	58174-1	227194-2	222001-4	9-329461-0	1-221182-2	221184-3	1-221185-2
OBSOLETE	RG-59/U,59A/U,59B/U	27.69	[1.090]	.044	.240	354940-1	58536-1	-	-	9-50428-0	221182-2	221184-2	1-221185-1
	BELDEN 9145	27.69	[1.090]	.044	.240	354940-1	58536-1	-	-	9-50428-1	1-221182-0	221184-2	1-221185-0
	RG-59 TYPE,C.C=.031 DIA,CAROL COLUMBIA,C1103	27.69	[1.090]	.044	.240	354940-1	58536-1	-	-	9-50428-0	1-221182-0	221184-2	221185-9
	RG-179/U,179A/U,179B/U,187/U,187A/U	28.96	[1.140]	.044	.104/.170	354940-1	318451-2	227194-2	222001-4	9-328666-0	1-221182-2	221184-3	221185-8
OBSOLETE	RG-6/U,6A/U	37.85	[1.490]	.044	.330	354940-1	58538-1	-	-	9-51713-1	1-221182-0	221184-5	221185-7
OBSOLETE	TIMES RG-59/U DOUBLE BRAID WITH .270 O.D.	27.69	[1.090]	-	-	354940-1	58086-1	-	-	9-50427-0	221182-2	221184-2	221185-6
	BELDEN 8281, 8281F, 9231 AND GEPCO VP6000	31.75	[1.250]	.044	.330	354940-1	58538-1	-	-	9-221132-2	1-221182-0	221184-4	221185-5
OBSOLETE	BELDEN 8218	28.45	[1.120]	.044	NOT ROUND	354940-1	58174-1	-	-	9-329461-0	221182-6	221184-3	221185-3
	RG-59/U,59A/U,59B/U	27.69	[1.090]	.044	.240	354940-1	58536-1	-	-	9-50428-0	221182-2	221184-2	221185-2
	BELDEN 9248	27.69	[1.090]	.044	.265	354940-1	58536-1	-	-	9-50427-0	221182-8	221184-1	221185-1

FOR USE WITH CABLE	A	CRIMP CONTACT (SQUARED)	CRIMP FERRULE (DIA)	CRIMP TOOL	DIE SET	⑤ PLASTIC TUBING QTY=1	④ TUBING QTY=1	③ FERRULE QTY=1	② CONTACT QTY=1	① PLUG ASSY QTY=1	PART NUMBER
<p>THIS DRAWING IS A CONTROLLED DOCUMENT. DIMENSIONS: mm [INCHES]. TOLERANCES UNLESS OTHERWISE SPECIFIED: 0 PLC ± .01, 1 PLC ± .01, 2 PLC ± .01, 3 PLC ± .01, 4 PLC ± .01, ANGLES ± .01.</p> <p>MATERIAL: - FINISH: - WEIGHT: -</p> <p>APPROVED: WERNER 1-17-90, LAMAN 2-15-90, PHILLIPS 2-18-90. NAME: PHILLIPS. PRODUCT SPEC: 108-12095. APPLICATION SPEC: -.</p> <p>SIZE: A1. CASE CODE: 00779. DRAWING NO: 221185. RESTRICTED TO: -.</p> <p>CUSTOMER DRAWING. SCALE: 5:1. SHEET: 1 of 1. REV: AV2.</p>											