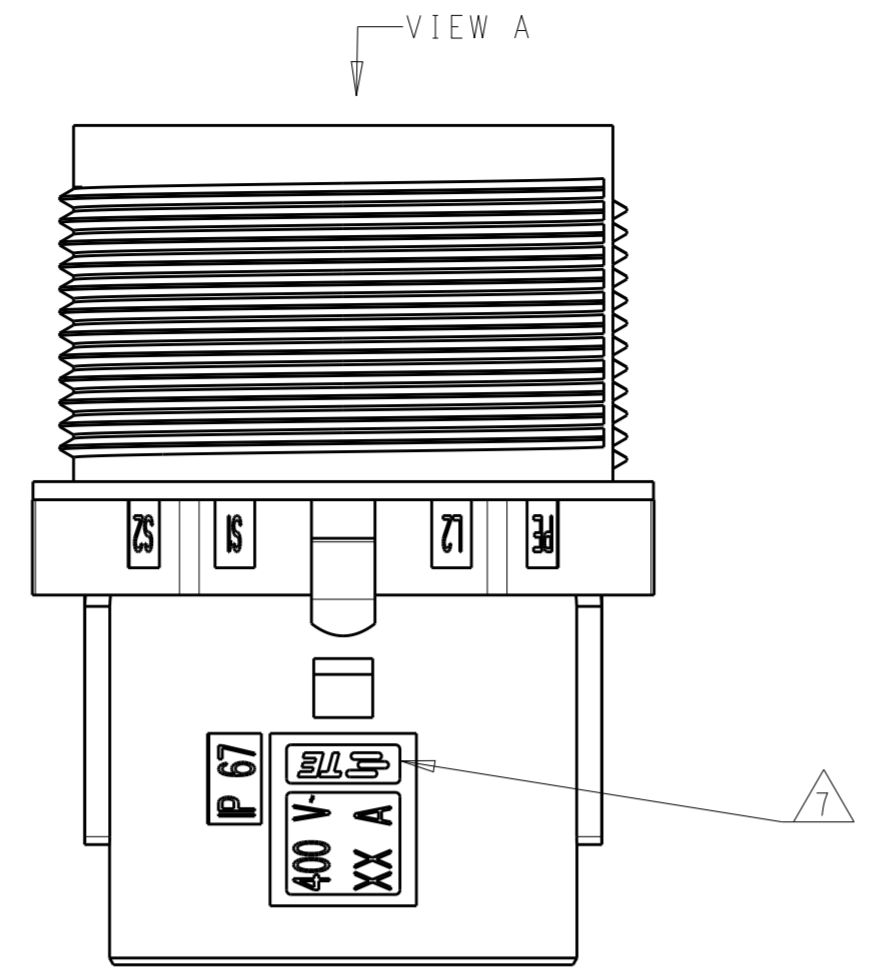


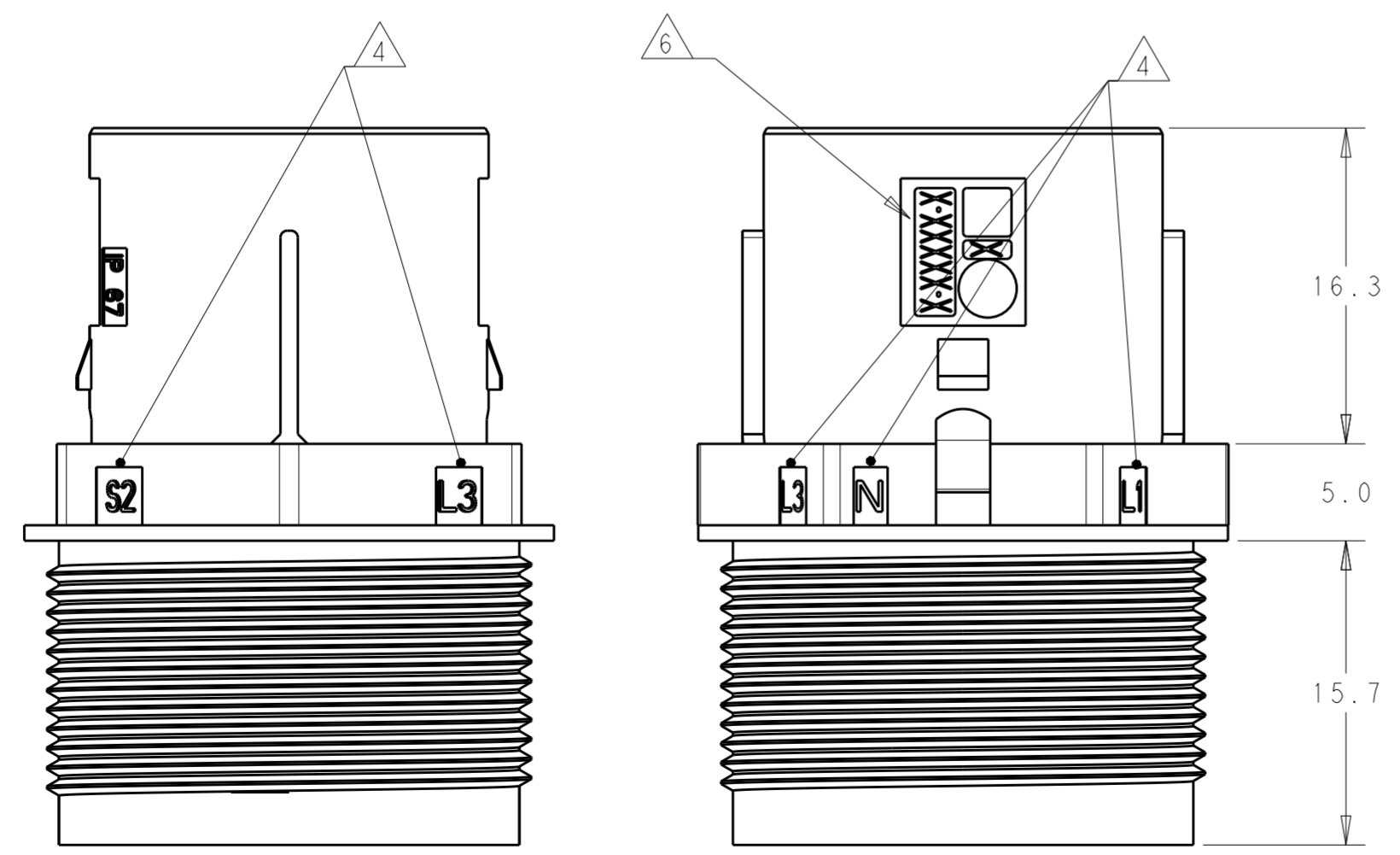
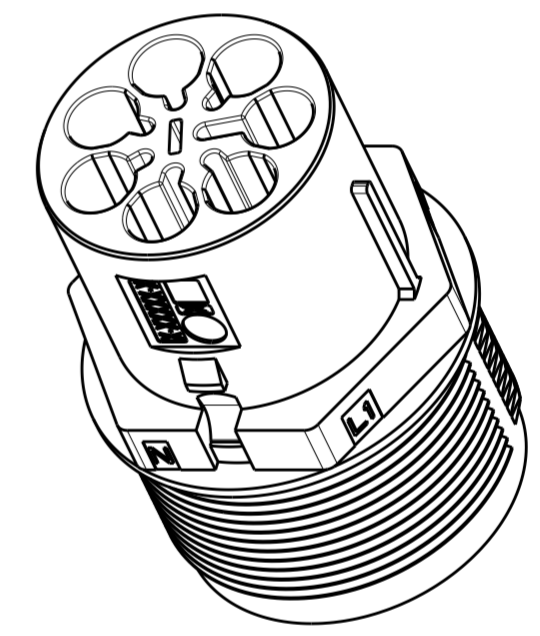
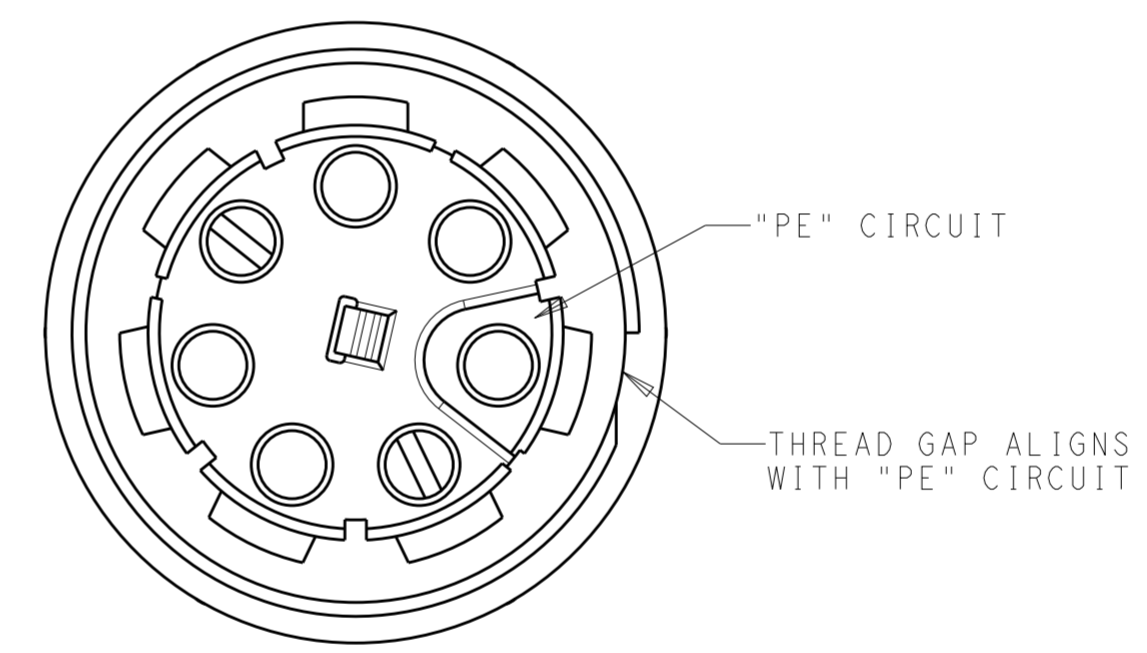
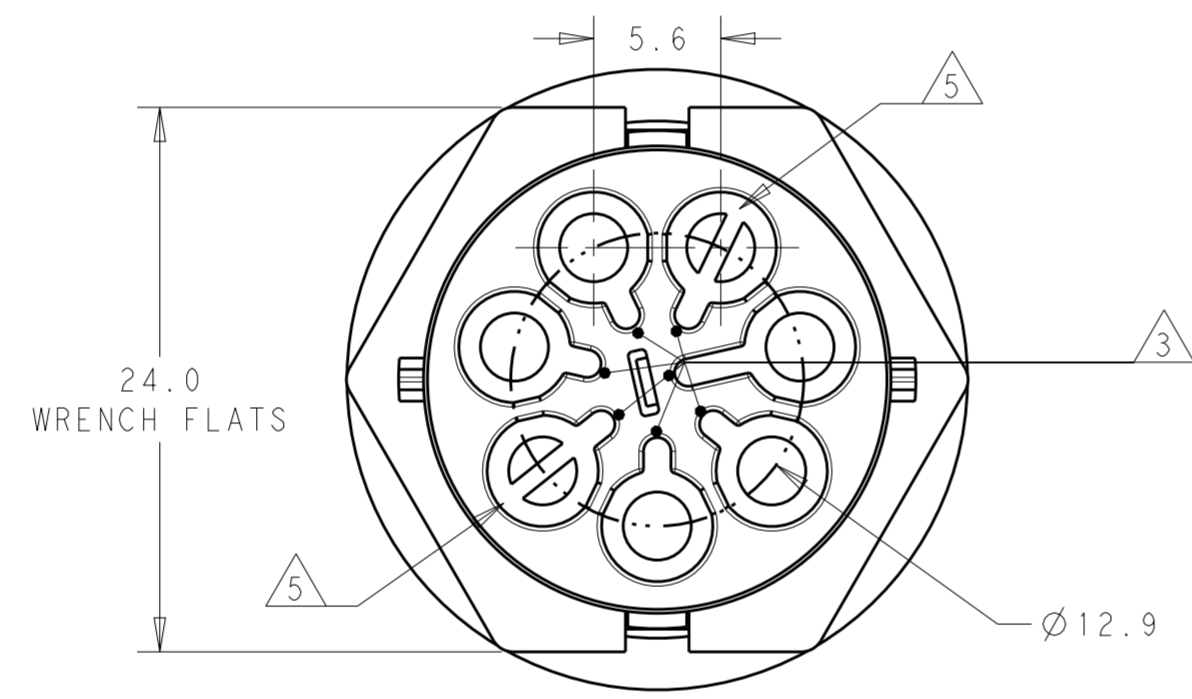
THIS DRAWING IS UNPUBLISHED. RELEASED FOR PUBLICATION 20
 © COPYRIGHT 20 BY - ALL RIGHTS RESERVED.

REVISIONS				
P	LTR	DESCRIPTION	DATE	APVD
A		REVISED PER ECR-15-008747	12JUN2015	RS JL



NOTES:

- 1. MATERIAL: GLASS FILLED PBT, COLOR: BLACK
- 2. MUST COMPLY WITH DIRECTIVE 2002/95/EC (ROHS)
- 3 ALL POLARIZATION KEYS SHOWN FOR REF ONLY.
- 4 CIRCUIT I.D.
- 5 CIRCUITS "L2" AND "L3" ARE BLOCKED TO PREVENT CONTACT INSTALLATION.
- 6 TE PART NUMBER
- 7 TE LOGO



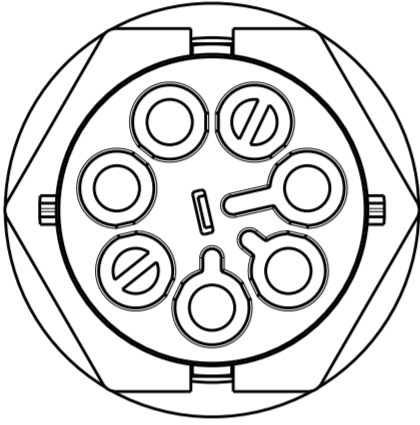
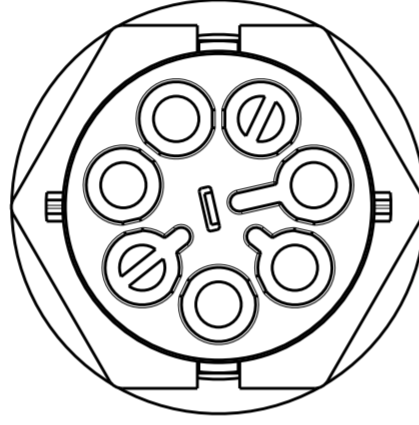
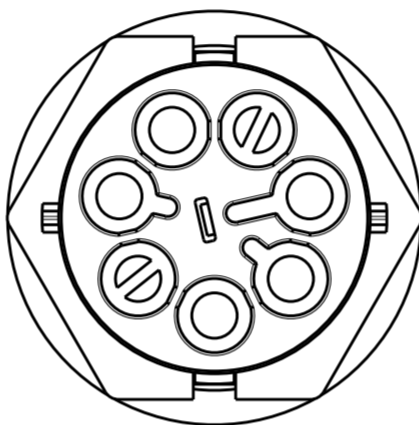
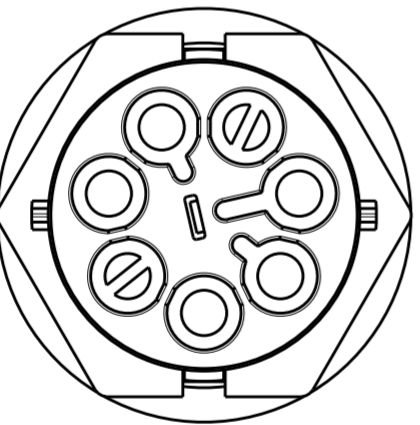
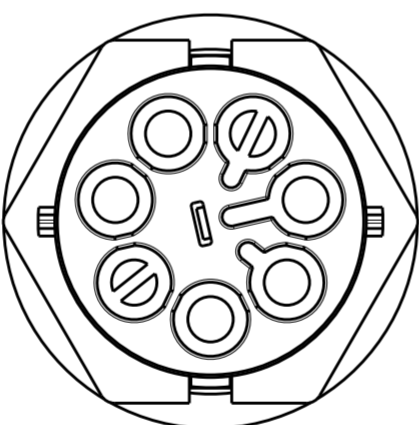
VIEW A


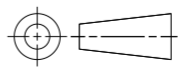
POLARIZATION TYPE	DESCRIPTION	PART NUMBER
E	FREE HANGING PIN. SEALED NECTOR M, 5 POSN	2213228-5
D	FREE HANGING PIN. SEALED NECTOR M, 5 POSN	2213228-4
C	FREE HANGING PIN. SEALED NECTOR M, 5 POSN	2213228-3
B	FREE HANGING PIN. SEALED NECTOR M, 5 POSN	2213228-2
A	FREE HANGING PIN. SEALED NECTOR M, 5 POSN	2213228-1

THIS DRAWING IS A CONTROLLED DOCUMENT.		DWN J. SHAFFER 16 JAN 2014	TE Connectivity	
DIMENSIONS: mm		CHK M. LUKSIC 16 JAN 2014		
TOLERANCES UNLESS OTHERWISE SPECIFIED:		APVD M. LUKSIC 16 JAN 2014	NAME FREE HANGING PIN HOUSING: SEALED NECTOR M-LINE, 5 POSN	
0 PLC ± 1 PLC ±0.2 2 PLC ±0.13 3 PLC ± 4 PLC ± ANGLES ± FINISH ±		PRODUCT SPEC 108-133014	RESTRICTED TO	
MATERIAL NOTE 1		APPLICATION SPEC 114-32111	SIZE A2	CAGE CODE -
		WEIGHT -	DRAWING NO G-2213228	SCALE 1:1
		Customer Drawing	SHEET 1	OF 2
			REV A	

THIS DRAWING IS UNPUBLISHED. RELEASED FOR PUBLICATION 20
 © COPYRIGHT 20 BY - ALL RIGHTS RESERVED.

REVISIONS				
P	LTR	DESCRIPTION	DATE	APVD
-		SEE SHEET 1	-	-

POLARIZATION TYPES		
POLARIZATION TYPE "A"	POLARIZATION TYPE "B"	POLARIZATION TYPE "C"
		
PN: 2213228-1	PN: 2213228-2	PN: 2213228-3
POLARIZATION TYPE "D"	POLARIZATION TYPE "E"	
		
PN: 2213228-4	PN: 2213228-5	

THIS DRAWING IS A CONTROLLED DOCUMENT.		DWN J. SHAFFER 16 JAN 2014	 TE Connectivity
DIMENSIONS: mm		CHK M. LUKSIC 16 JAN 2014	
		APVD M. LUKSIC 16 JAN 2014	
TOLERANCES UNLESS OTHERWISE SPECIFIED: 0 PLC ± 1 PLC ±0.2 2 PLC ±0.13 3 PLC ± 4 PLC ± ANGLES ± FINISH ±		NAME FREE HANGING PIN HOUSING: SEALED NECTOR M-LINE, 5 POSN - PRODUCT SPEC 108-133014 APPLICATION SPEC 114-32111 WEIGHT - Customer Drawing	
MATERIAL NOTE 1 -		SCALE 1:1	SIZE A2 CAGE CODE - DRAWING NO C-2213228 RESTRICTED TO - SHEET 2 OF 2 REV A