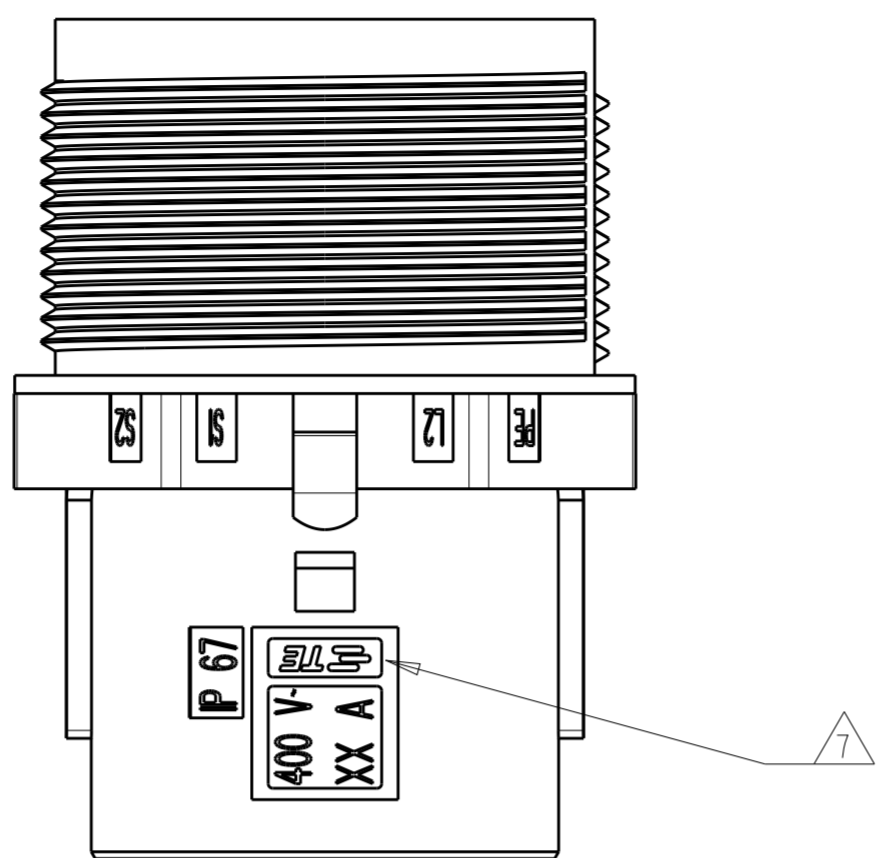


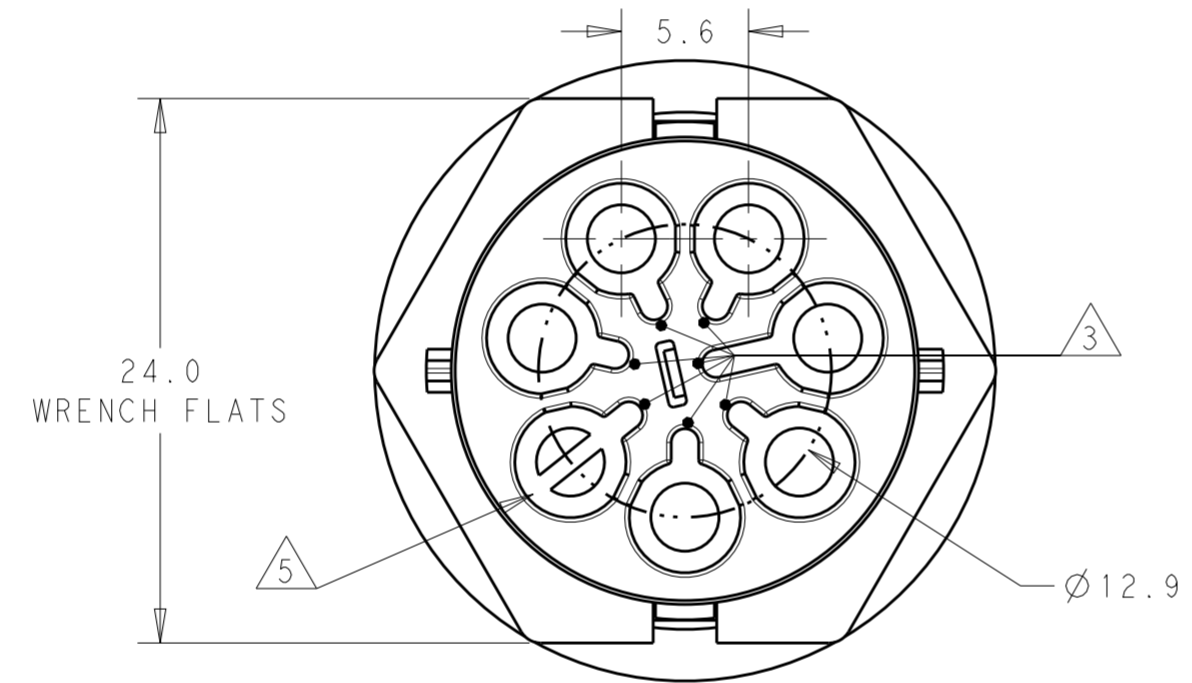
| REVISIONS |     |                              |           |       |
|-----------|-----|------------------------------|-----------|-------|
| P         | LTR | DESCRIPTION                  | DATE      | APVD  |
| A         |     | REVISED AS PER ECR-15-005925 | 21APR2015 | RS JL |
|           |     |                              |           |       |
|           |     |                              |           |       |

VIEW A

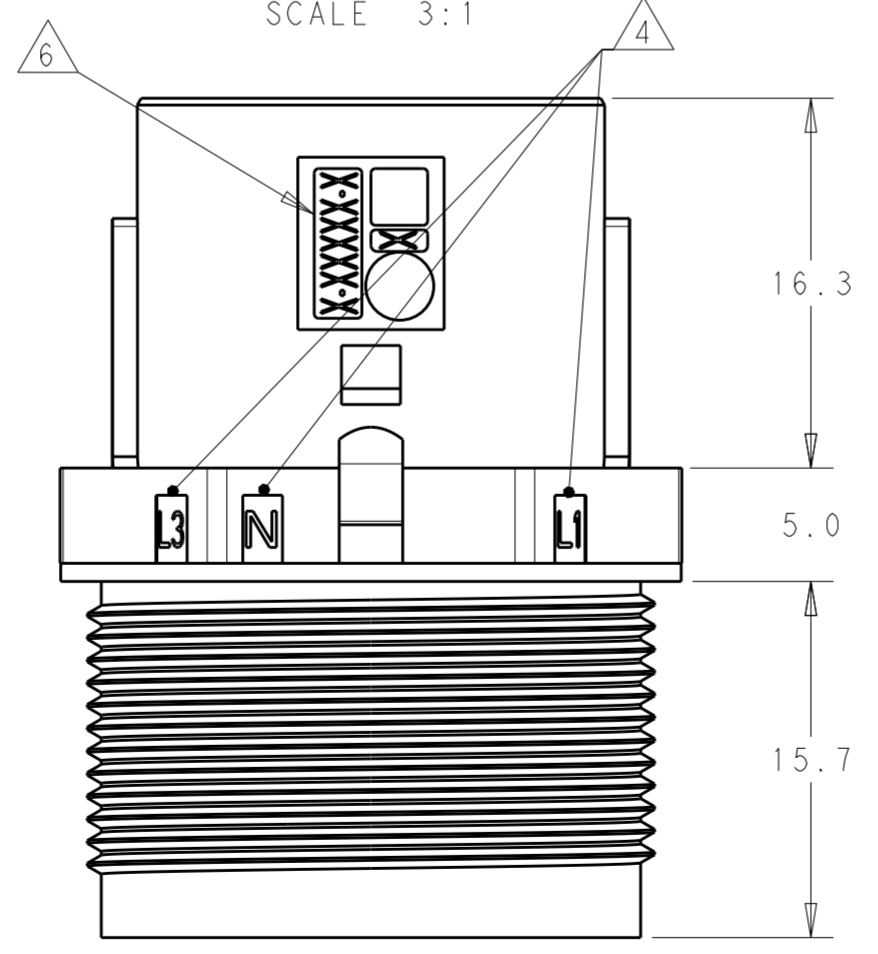
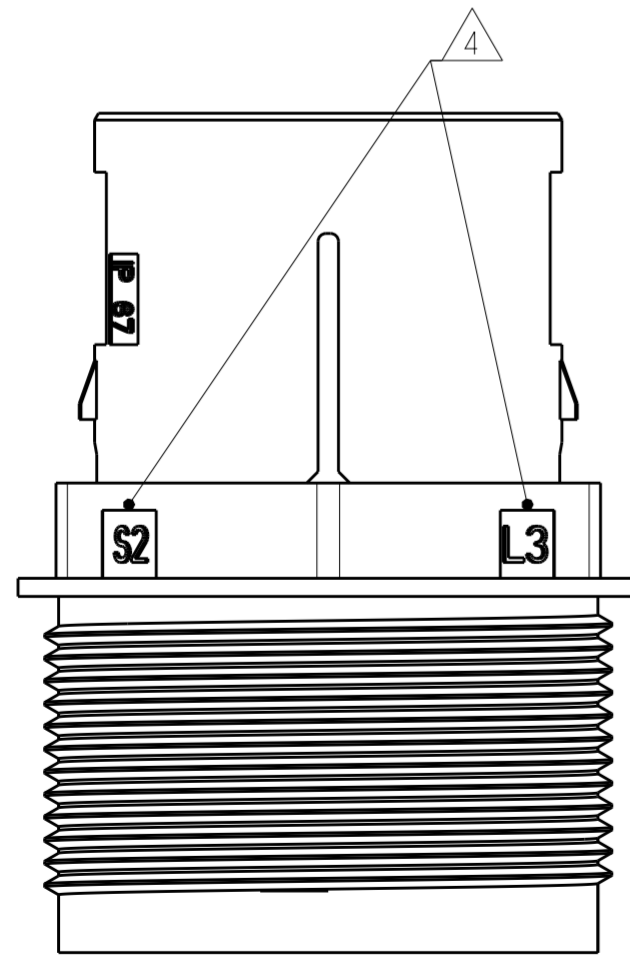
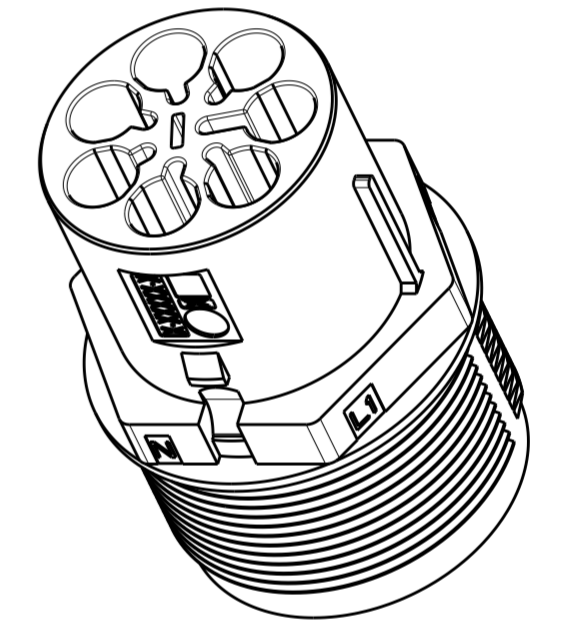
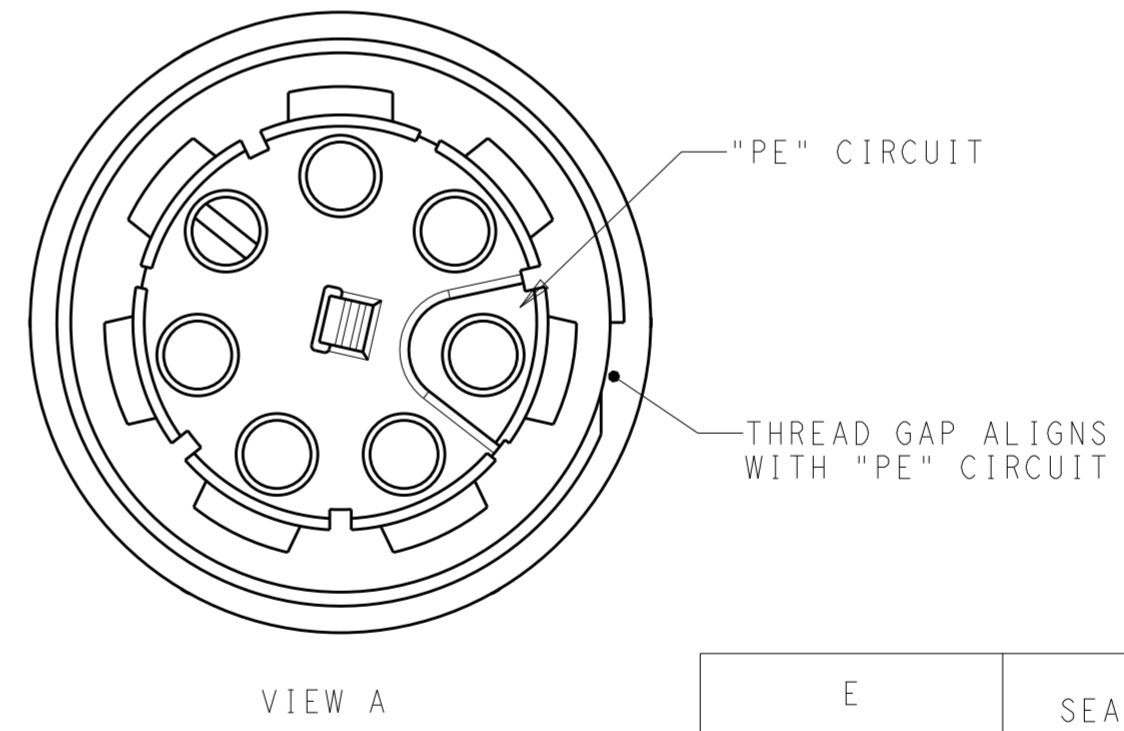


NOTES:

1. MATERIAL: GLASS FILLED PBT, COLOR: BLACK
2. MUST COMPLY WITH DIRECTIVE 2002/95/EC (ROHS)
3. ALL POLARIZATION KEYS SHOWN FOR REF ONLY.
4. CIRCUIT I.D.
5. CIRCUIT "L3" IS BLOCKED TO PREVENT CONTACT INSTALLATION.
6. TE PART NUMBER
7. TE LOGO
8. THIS PRODUCT HAS NOT COMPLETED VALIDATION TESTING



SCALE 3:1

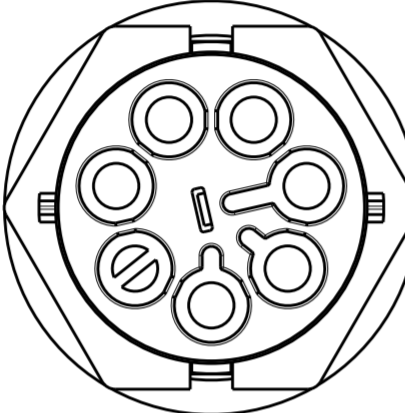
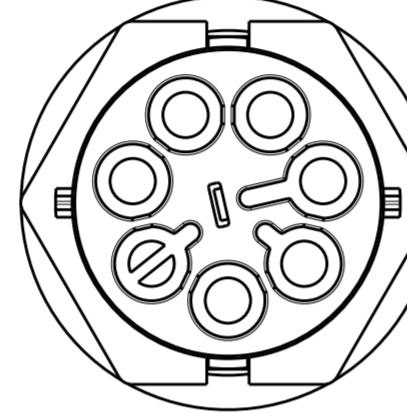
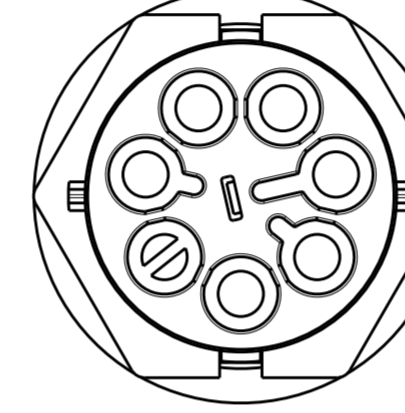
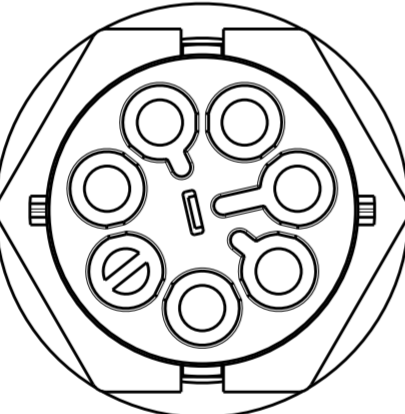
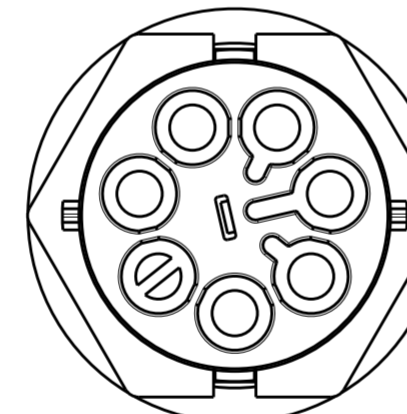



|                   |   |             |
|-------------------|---|-------------|
| E                 | FREE HANGING PIN. SEALED NECTOR M, 6 POSN | 2213241-5   |
| D                 | FREE HANGING PIN. SEALED NECTOR M, 6 POSN | 2213241-4   |
| C                 | FREE HANGING PIN. SEALED NECTOR M, 6 POSN | 2213241-3   |
| B                 | FREE HANGING PIN. SEALED NECTOR M, 6 POSN | 2213241-2   |
| A                 | FREE HANGING PIN. SEALED NECTOR M, 6 POSN | 2213241-1   |
| POLARIZATION TYPE | DESCRIPTION                               | PART NUMBER |

| THIS DRAWING IS A CONTROLLED DOCUMENT. |       | DWN J. SHAFFER 21 JAN 2014 |  | TE Connectivity              |  |
|--|-------|----------------------------|--|------------------------------|--|
| DIMENSIONS: mm                         |       | CHK M. LUKSIC 21 JAN 2014  |  | NAME                         |  |
| TOLERANCES UNLESS OTHERWISE SPECIFIED: |       | APVD M. LUKSIC 21 JAN 2014 |  | PRODUCT SPEC                 |  |
| 0 PLC                                  | ±     | 108-133014                 |  | APPLICATION SPEC             |  |
| 1 PLC                                  | ±0.2  | 114-32111                  |  | WEIGHT                       |  |
| 2 PLC                                  | ±0.13 | Customer Drawing           |  | SCALE 2:1 SHEET 1 OF 2 REV A |  |
| 3 PLC                                  | ±     |                            |  |                              |  |
| 4 PLC                                  | ±     |                            |  |                              |  |
| ANGLES                                 | ±     |                            |  |                              |  |
| FINISH                                 | -     |                            |  |                              |  |
| NOTE 1                                 | -     |                            |  |                              |  |

THIS DRAWING IS UNPUBLISHED. RELEASED FOR PUBLICATION 20  
 © COPYRIGHT 20 BY - ALL RIGHTS RESERVED.

| REVISIONS |     |             |      |      |
|-----------|-----|-------------|------|------|
| P         | LTR | DESCRIPTION | DATE | APVD |
| -         |     | SEE SHEET 1 | -    | -    |
|           |     |             |      |      |
|           |     |             |      |      |

| POLARIZATION TYPES  |  |   |
|---|--|---|
| POLARIZATION TYPE "A"   | POLARIZATION TYPE "B"  | POLARIZATION TYPE "C"   |
|    |    |  |
| PN: 2213241-1   | PN: 2213241-2  | PN: 2213241-3   |
| POLARIZATION TYPE "D"   | POLARIZATION TYPE "E"  |   |
|  |  |   |
| PN: 2213241-4   | PN: 2213241-5  |   |

|  |  |                                  |   |                |
|--|--|----------------------------------|---|----------------|
| THIS DRAWING IS A CONTROLLED DOCUMENT.                     |  | DWN<br>J. SHAFFER<br>21 JAN 2014 |  TE Connectivity |                |
| DIMENSIONS:<br>mm  |  | CHK<br>M. LUKSIC<br>21 JAN 2014  |   |                |
| TOLERANCES UNLESS OTHERWISE SPECIFIED:                     |  | APVD<br>M. LUKSIC<br>21 JAN 2014 | NAME<br>FREE HANGING PIN HOUSING:<br>SEALED NECTOR M-LINE, 6 POSN                                     |                |
| 0 PLC ±<br>1 PLC ±0.2<br>2 PLC ±0.13<br>3 PLC ±<br>4 PLC ± |  | PRODUCT SPEC<br>108-133014       | RESTRICTED TO   |                |
| MATERIAL<br>NOTE 1   |  | APPLICATION SPEC<br>114-32111    | SIZE<br>A2  | CAGE CODE<br>- |
| FINISH<br>-  |  | WEIGHT<br>-                      | DRAWING NO<br>C-2213241   | SCALE<br>2:1   |
|  |  | Customer Drawing                 | SHEET<br>2  | OF 2           |
|  |  |                                  | REV<br>A  |                |