

THIS DRAWING IS UNPUBLISHED.

RELEASED FOR PUBLICATION

© COPYRIGHT - BY TYCO ELECTRONICS CORPORATION. ALL RIGHTS RESERVED.

LOC H DIST -

REVISIONS

P	LTR	DESCRIPTION	DATE	DWN	APVD
A		RELEASED FOR PRODUCTION	24OCT2016	RK	MvE
A1		CHANGED LASER MARKING	03NOV2016	RK	MvE
A2		CHANGED LASER MARKING	07MAR2017	RK	MvE
B		ECR-17-008373	16OCT2017	RK	PO

DIMENSIONS BEFORE APPLICATION

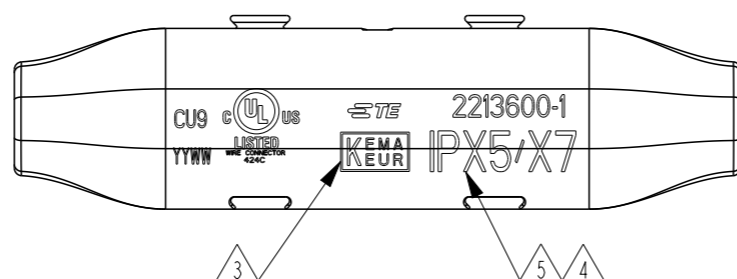
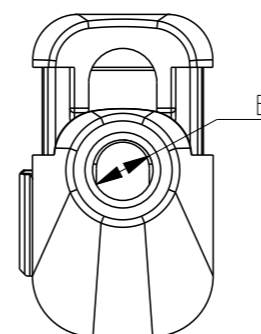
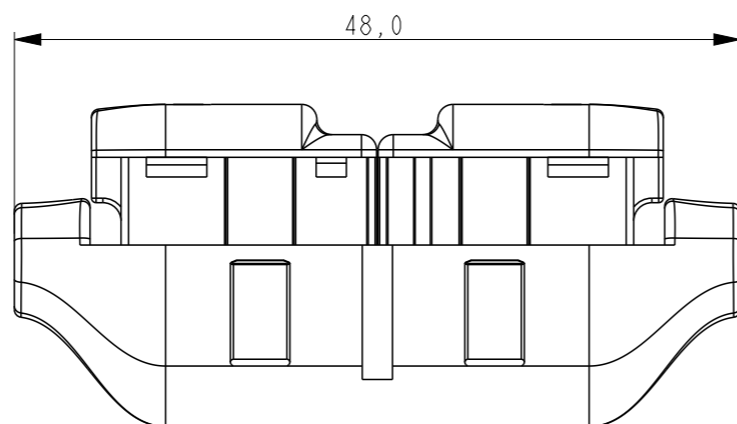
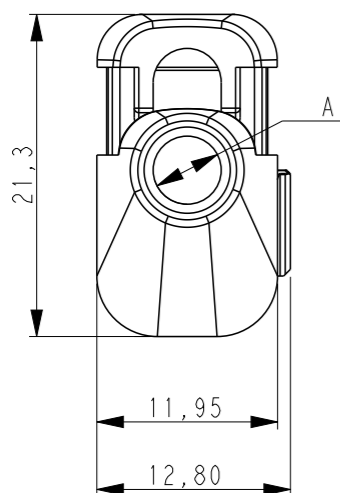
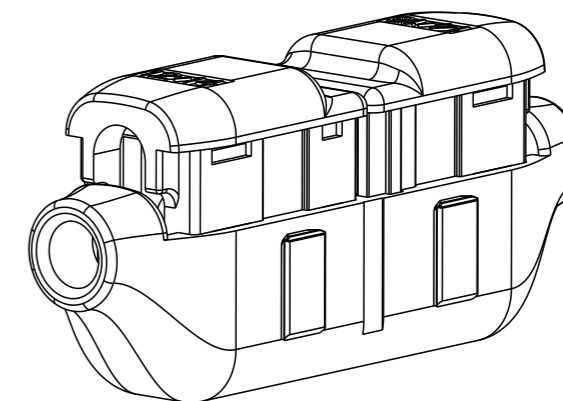
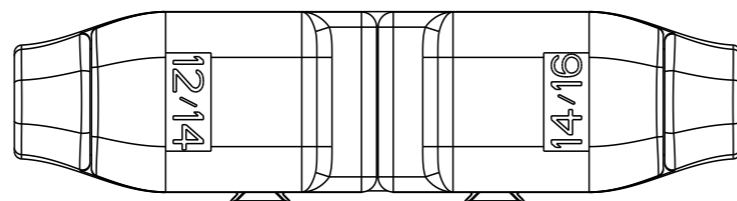
- NOTES:
- 2213600-1 AS SHOWN.
 - MATERIALS:

CONTACT: PHOSPHOR BRONZE, TIN PLATED
 HOUSING: PC NOT GLASS FILLED
 BUTTONS: PC NOT GLASS FILLED

- 3 LASER MARKING:
- KEMA
 - UL
 - TE LOGO
 - TE PART NUMBER
 - DATE CODE

4 LASER MARKING: IP20

5 LASER MARKING: IP x5/x7



STANDARD	4	A=3.5 B=3.5	16/18 TO 16/18	RED AND RED	CLEAR	1-2213600-0
STANDARD	4	A=4.5 B=4.5	12/14 TO 12/14	YELLOW AND YELLOW	CLEAR	2213600-9
SEALED	5	A=3.5 B=3.5	16/18 TO 16/18	RED AND RED	CLEAR	2213600-8
SEALED	5	A=4.5 B=4.5	12/14 TO 12/14	YELLOW AND YELLOW	CLEAR	2213600-7
STANDARD	4	A=4.0 B=3.5	14/16 TO 16/18	BLUE AND RED	CLEAR	2213600-6
STANDARD	4	A=4.5 B=3.5	12/14 TO 16/18	YELLOW AND RED	CLEAR	2213600-5
STANDARD	4	A=4.5 B=4.0	12/14 TO 14/16	YELLOW AND BLUE	CLEAR	2213600-4
SEALED	5	A=4.0 B=3.5	14/16 TO 16/18	BLUE AND RED	CLEAR	2213600-3
SEALED	5	A=4.5 B=3.5	12/14 TO 16/18	YELLOW AND RED	CLEAR	2213600-2
SEALED	5	A=4.5 B=4.0	12/14 TO 14/16	YELLOW AND BLUE	CLEAR	2213600-1
SEALING		WIRE ENTRY	WIRE SIZE	BUTTON COLORS	HOUSING COLOR	PART NUMBER

THIS DRAWING IS A CONTROLLED DOCUMENT.
 DIMENSIONING AND TOLERANCING PER ASME Y14.5M-2009.

DIMENSIONS:	TOLERANCES UNLESS OTHERWISE SPECIFIED:
mm	
0 PLC	±-
1 PLC	±0,2
2 PLC	±0,2
3 PLC	±-
4 PLC	±-
ANGLES	±-
MATERIAL	FINISH
-	-

DWN	M.V.ESSEN	06 NOV'15
CHK	C.V.STEENDEREN	-
APVD	O.I.FIJNSE	-
PRODUCT SPEC	108-133061	
APPLICATION SPEC	114-133061	
WEIGHT	-	
CUSTOMER DRAWING		



COOL SPLICE
 ONE POSITION LARGE WIRE GAUGE

SIZE	CAGE CODE	DRAWING NO	RESTRICTED TO
A3	00779	2213600	-
SCALE	2:1	SHEET 1 OF 3	REV B

THIS DRAWING IS UNPUBLISHED.

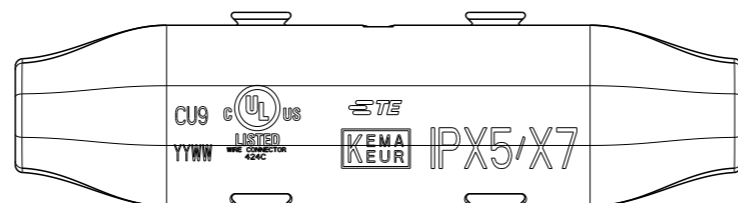
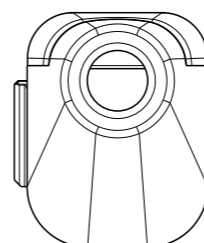
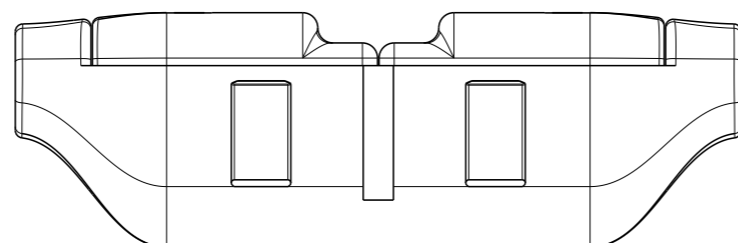
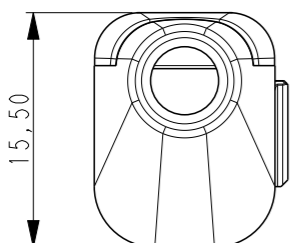
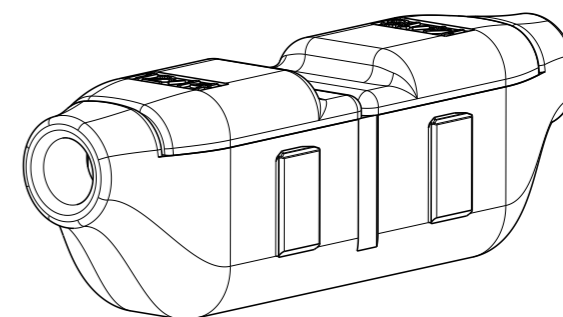
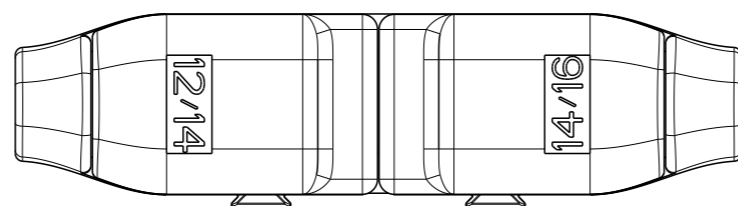
RELEASED FOR PUBLICATION


© COPYRIGHT - BY TYCO ELECTRONICS CORPORATION. ALL RIGHTS RESERVED.

LOC	DIST	REVISIONS					
		P	LTR	DESCRIPTION	DATE	DWN	APVD
		-		SEE SHEET 1	-	-	-

DIMENSIONS AFTER APPLICATION

NOTE:
1. 2213600-1 AS SHOWN.



THIS DRAWING IS A CONTROLLED DOCUMENT.		DWN M.V.ESSSEN	06 NOV'15	 TE Connectivity	
DIMENSIONS: mm		CHK C.V.STEENDEREN	-		
TOLERANCES UNLESS OTHERWISE SPECIFIED:		APVD O.IEIJNSE	-	NAME COOL SPLICE ONE POSITION LARGE WIRE GAUGE	
0 PLC ±-		PRODUCT SPEC 108-133061	-	APPLICATION SPEC	
1 PLC ±0,2		APPLICATION SPEC 114-133061	-	SIZE A3	CAGE CODE 00779
2 PLC ±0,2		WEIGHT -	-	DRAWING NO C-2213600	RESTRICTED TO -
3 PLC ±-		CUSTOMER DRAWING		SCALE 1:1	SHEET 2 OF 3
4 PLC ±-				REV B	
ANGLES ±-					
FINISH -					

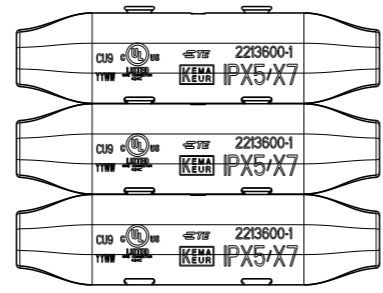
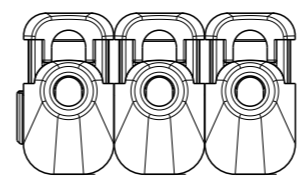
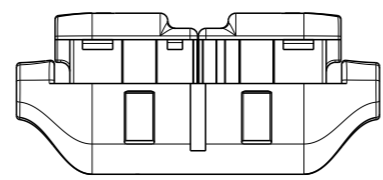
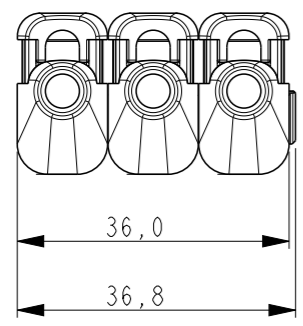
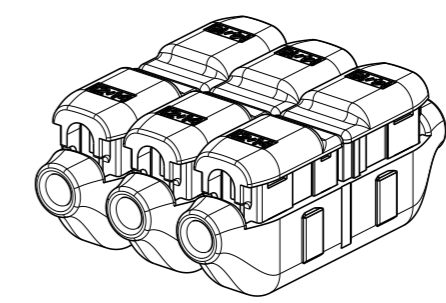
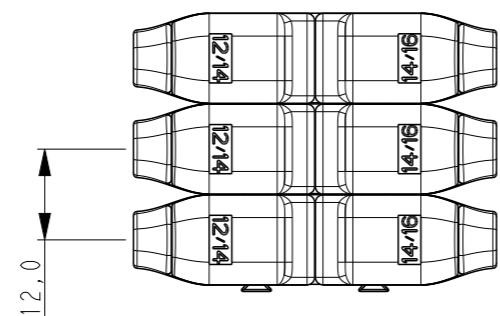
THIS DRAWING IS UNPUBLISHED.


RELEASED FOR PUBLICATION

© COPYRIGHT - BY TYCO ELECTRONICS CORPORATION. ALL RIGHTS RESERVED.

LOC		DIST		REVISIONS			
P	LTR	DESCRIPTION		DATE	DWN	APVD	
	-	SEE SHEET 1		-	-	-	

DIMENSIONS AFTER STACKING



THIS DRAWING IS A CONTROLLED DOCUMENT.		DWN M.V.ESSSEN 06 NOV '15	 TE Connectivity		
DIMENSIONS: mm		CHK C.V.STEENDEREN			
TOLERANCES UNLESS OTHERWISE SPECIFIED:		APVD O.IEIJNSE	NAME COOL SPLICE ONE POSITION LARGE WIRE GAUGE		
<ul style="list-style-type: none"> 0 PLC ±- 1 PLC ±0,2 2 PLC ±0,2 3 PLC ±- 4 PLC ±- ANGLES ±- 		PRODUCT SPEC 108-133061	RESTRICTED TO		
MATERIAL		APPLICATION SPEC 114-133061	SIZE A3	CAGE CODE 00779	DRAWING NO C-2213600
FINISH		WEIGHT	SCALE 1:1		
		CUSTOMER DRAWING	SHEET 3 OF 3		
			REV B		