

THIS DRAWING IS UNPUBLISHED.

RELEASED FOR PUBLICATION

© COPYRIGHT - new logo 2011

ALL RIGHTS RESERVED.

LOC
H

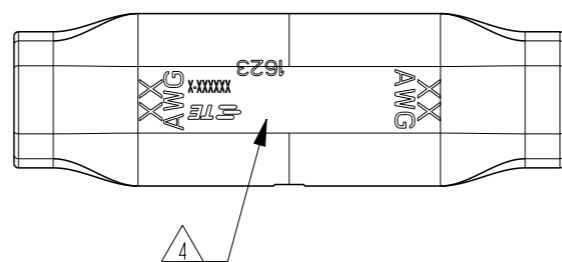
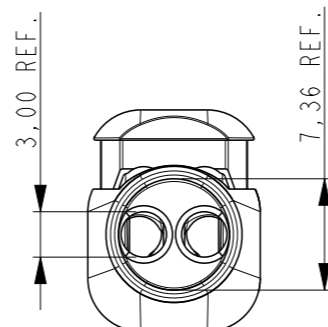
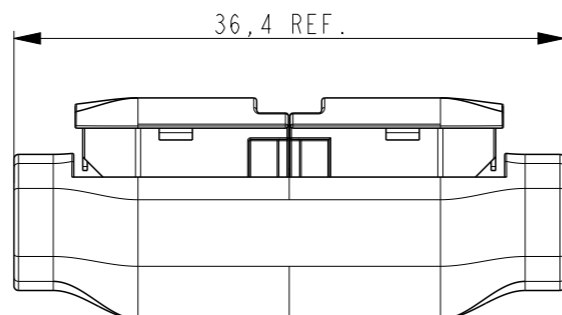
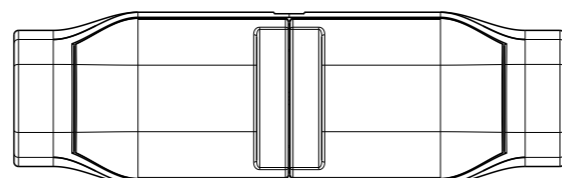
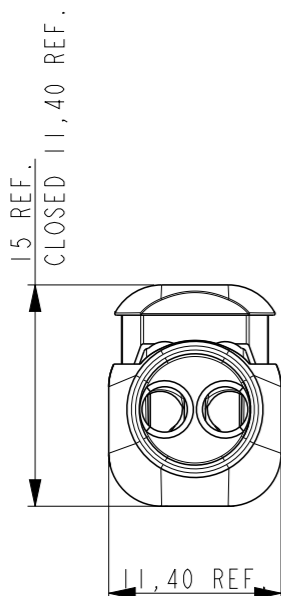
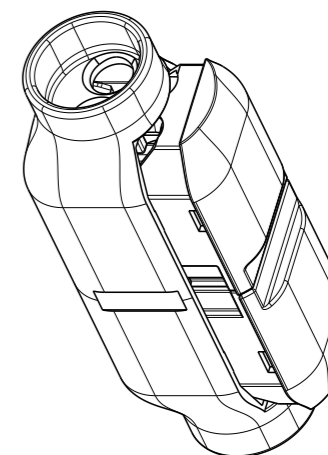
DIST
-

REVISIONS

P	LTR	DESCRIPTION	DATE	DWN	APVD
	A	ECR-16-015010	24OCT2016	KR	MvE

NOTES:

- 1 CONNECTOR ACCEPTS MULTIPLE WIRES SIZES: SEE TABLE.
- 2 HOUSING AND BUTTON MATERIAL : POLYCARBONATE
- 3 IDC CONTACT MATERIAL: PhBR
- 4 PRINTING LOGO'S: KEMA, PARTNUMBER, TE, DATE CODE, WIRE SIZE, IP CLASS.
- 5 WIRE INSULATION DIAMETER RANGE IS FROM 1.75 TO 2.85 mm



BUTTON COLOR	HOUSING COLOR	PARTNUMBER	DESCRIPTION	CABLE SIZE
BLUE	CLEAR	2213800-4	SPLICING CONNECTOR SEALED	AWG 20 (0.52mm ²) / AWG 22 (0.33mm ²)
GREEN		2213800-3	SPLICING CONNECTOR UNSEALED	AWG 20 (0.52mm ²) / AWG 22 (0.33mm ²)
BLUE		2213800-2	SPLICING CONNECTOR SEALED	AWG 18 (0.82mm ²) TO 0.75mm ²
GREEN		2213800-1	SPLICING CONNECTOR UNSEALED	AWG 18 (0.82mm ²) TO 0.75mm ²

THIS DRAWING IS A CONTROLLED DOCUMENT.

DWN 22DEC2015 RAGHAVENDRA.K
 CHK 22DEC2015 M.V.ESEN
 APVD 22DEC2015 O.L.F.J.NSE

PRODUCT SPEC 108-133061
 APPLICATION SPEC 114-133061

WEIGHT -

CUSTOMER DRAWING

SCALE 2:1

SHEET 1 OF 1

REV A

RESTRICTED TO -

SIZE A3 CAGE CODE 00779 DRAWING NO C-2213800

NAME N. S. COOLSPLICE

TE Connectivity

DIMENSIONS:	TOLERANCES UNLESS OTHERWISE SPECIFIED:
mm	
0 PLC	±
1 PLC	±0.2
2 PLC	±0.15
3 PLC	±
4 PLC	±
ANGLES	±3°
FINISH	SEE NOTES

