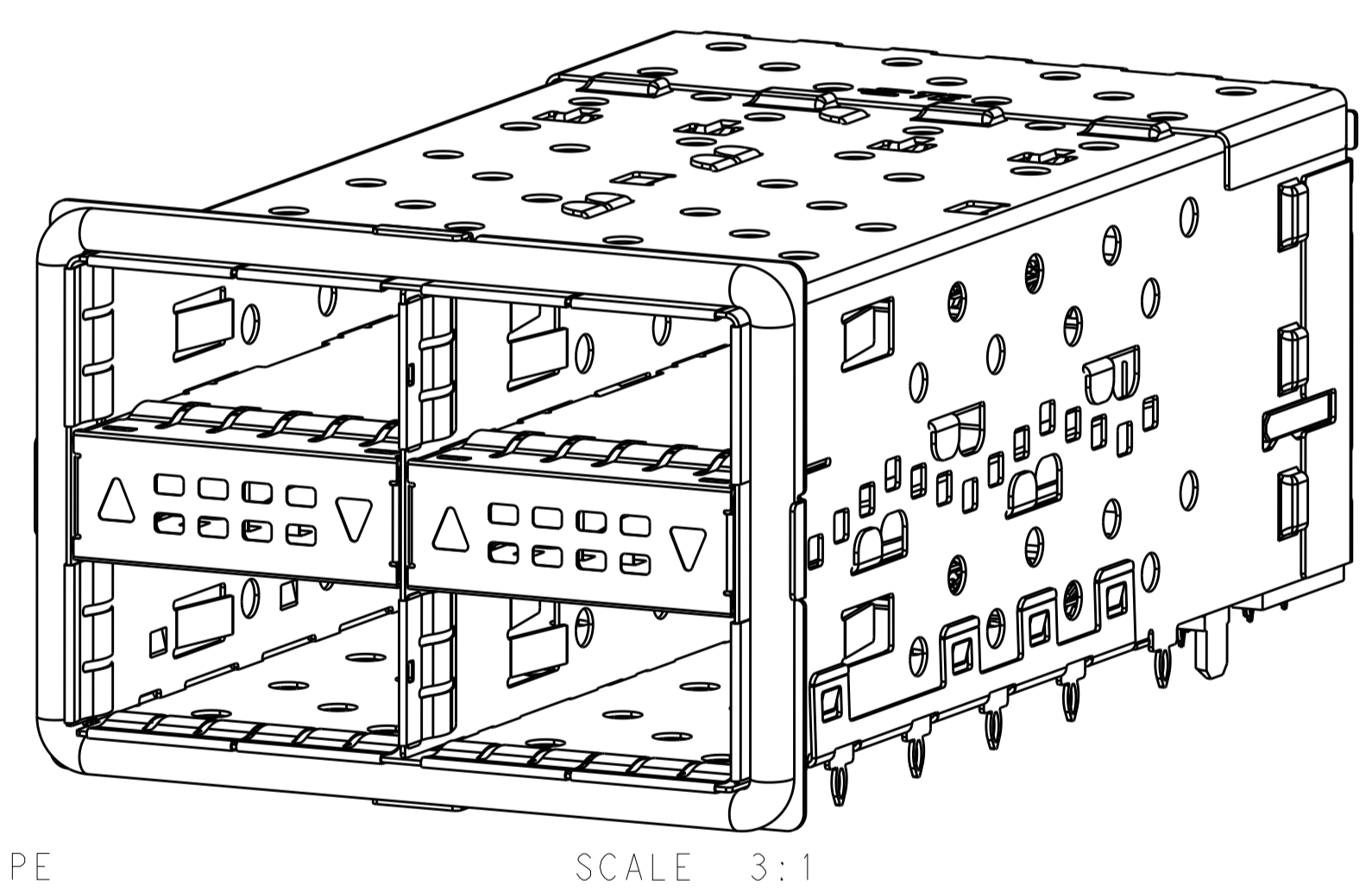
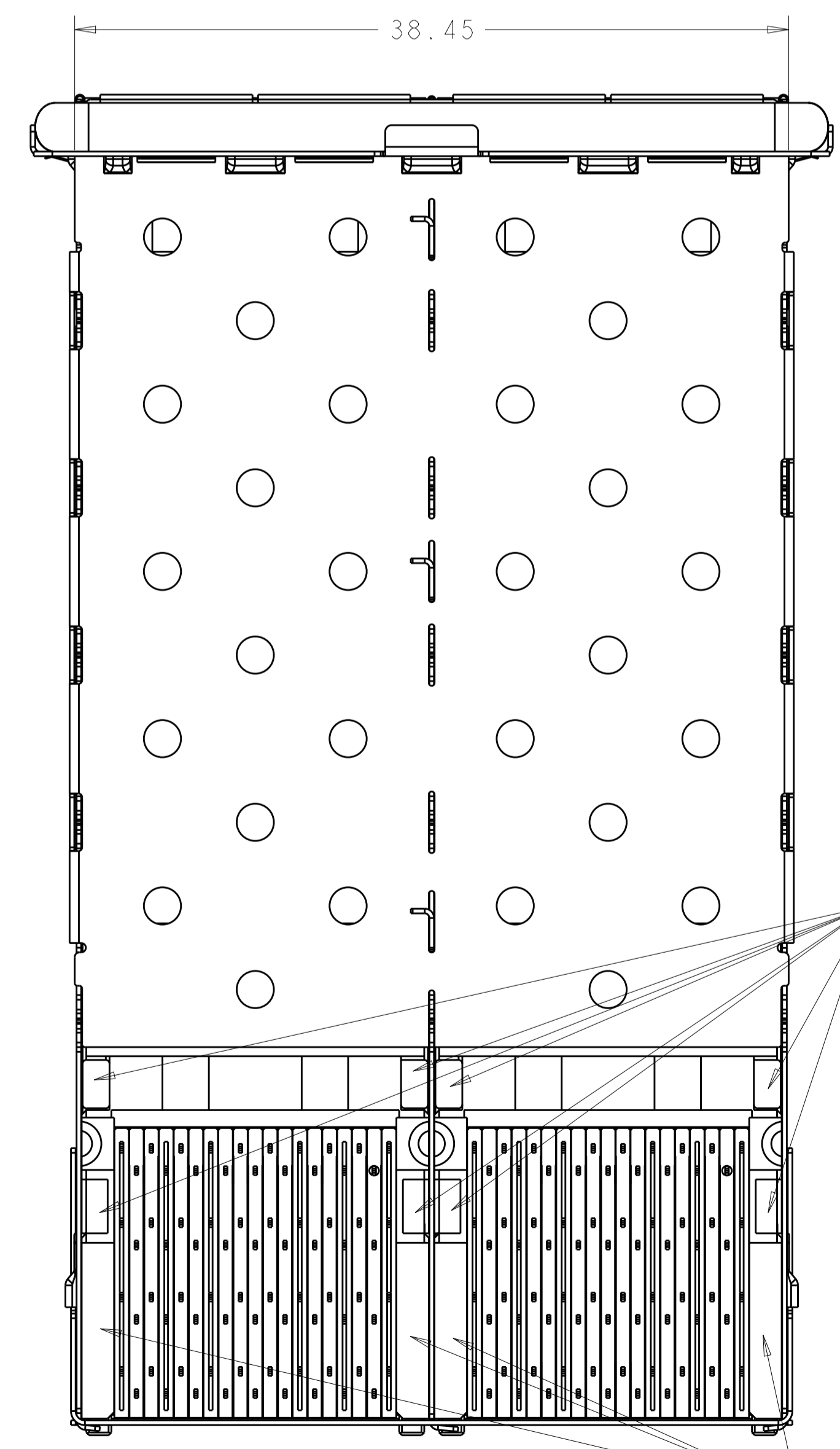
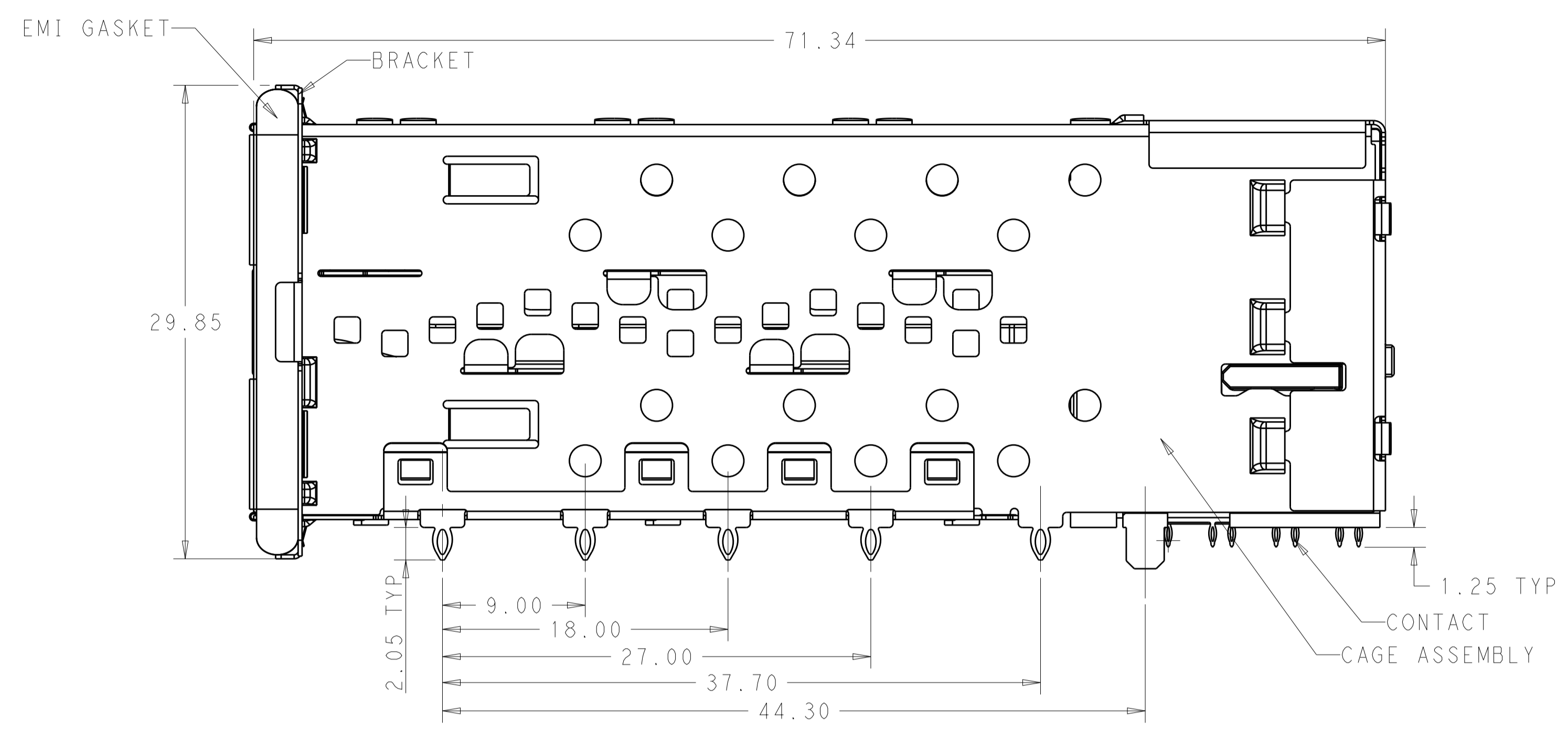
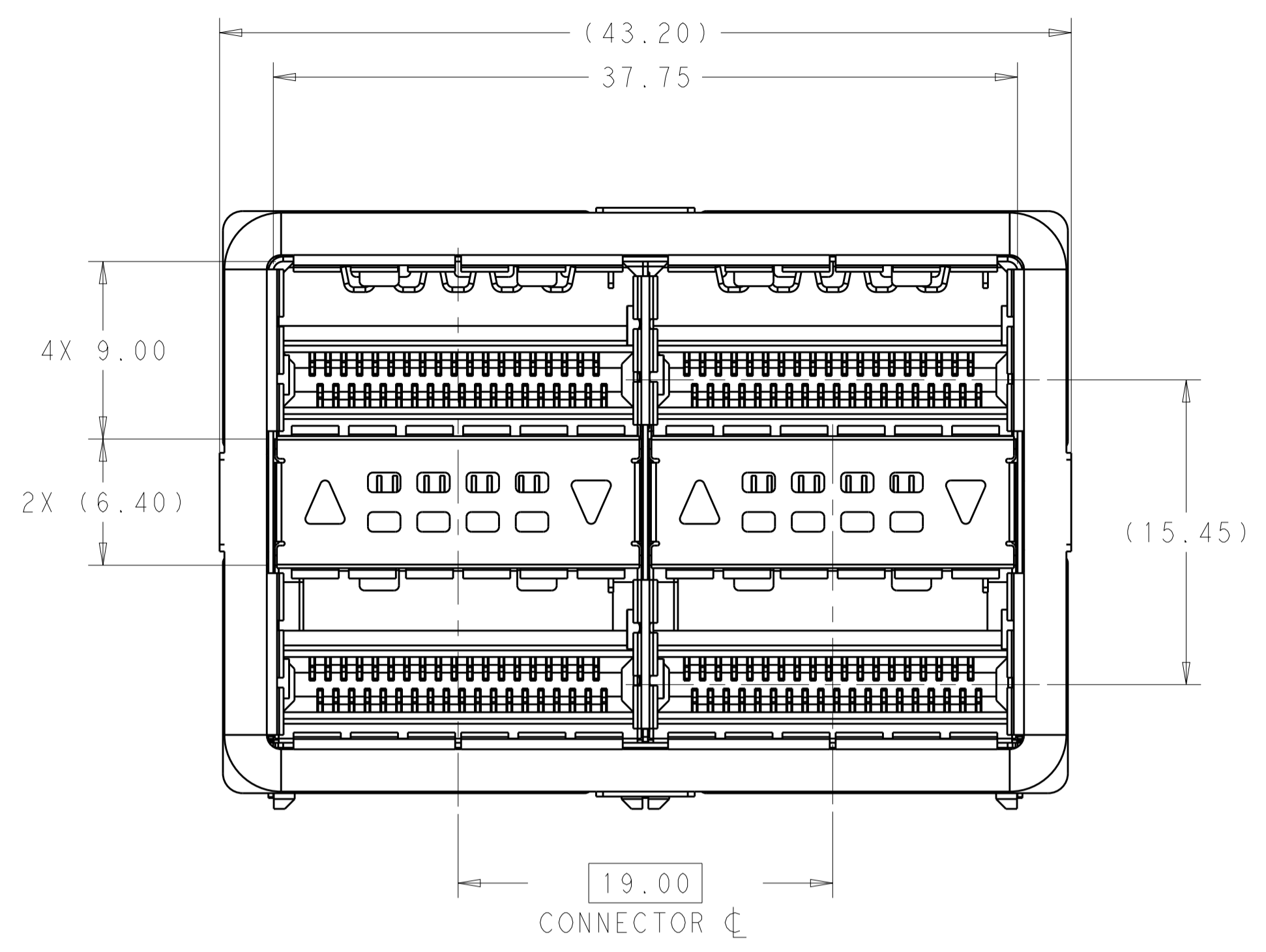


LOC	DIST	REVISIONS					
GP	00	P	LTN	DESCRIPTION	DATE	DWN	APVD
		4		ADD A NEW PART	07JAN2014	BL	JY
		5		ADD NEW PART -9	16JUNE2014	RG	MC



- ⚠ MATERIAL:
 CAGE ASSEMBLY- STAINLESS STEEL.
 BRACKET- STAINLESS STEEL.
 EMI GASKET- NIKCEL-GRAPHITE FILLED SILICONE.
 HOUSING- BLACK LCP,UL 94V-0 RATED
 CHICKLET- BLACK LCP,UL 94V-0 RATED
 LIGHT PIPE- POLYCARBONATE, CLEAR, UL 94V-0 RATED
 CONTACT- COPPER ALLOY.
 GASKET - CONDUCTIVE RUBBER, UL 94V-0 RATED
- ⚠ DATUM AND BASIC DIMENSIONS ESTABLISHED BY CUSTOMER.
- 3. MINIMUM PCB THICKNESS OF 1.57mm.
- ⚠ CONTACT FINISH- CONFORMS TO THE REQUIREMENTS OF TE PRODUCT SPECIFICATION 108-127010. BASED ON EIA/ECA-364-1000.01A. (CONTROLLED ENVIRONMENT APPLICATIONS) ON MATING INTERFACE, TIN ON NEEDLE EYE.
- ⚠ THE ENTIRE AREA OF THE CONNECTOR FOOTPRINT, INDICATED BY THE DASHED LINE, TO BE CONSIDERED THE KEEPOUT AREA FOR COMPONENTS AND SIGNAL TRACES. TOP SIDE ONLY. TOP SIDE TRACES ALLOWED WITHIN CONNECTOR HOLE PATTERN.
- ⚠ LIGHT PIPE PAD LAYOUT IS FOR 0805 LOW PROFILE LED PACKAGE WITH A HEIGHT OF 0.8mm.
- 7. CAGE FINISH-1.25 μm MINIMUM NICKEL PLATING.

3 ROUND VENT HOLES	2214574-9
BOTH LIGHT PIPES	2214574-8
BOTH LIGHT PIPES	2214574-7
INNER LIGHT PIPES	2214574-6
OUTER LIGHT PIPES	2214574-5
NO LIGHT PIPES	2214574-4
BOTH LIGHT PIPES	2214574-3
INNER LIGHT PIPES	2214574-2
OUTER LIGHT PIPES	2214574-1
DESCRIPTION	PART NUMBER

THIS PRINT IS
PRELIMINARY
 UNQUALIFIED PRODUCT
 CONTACT PRODUCT ENGINEERING
 BEFORE USING THIS PRINT

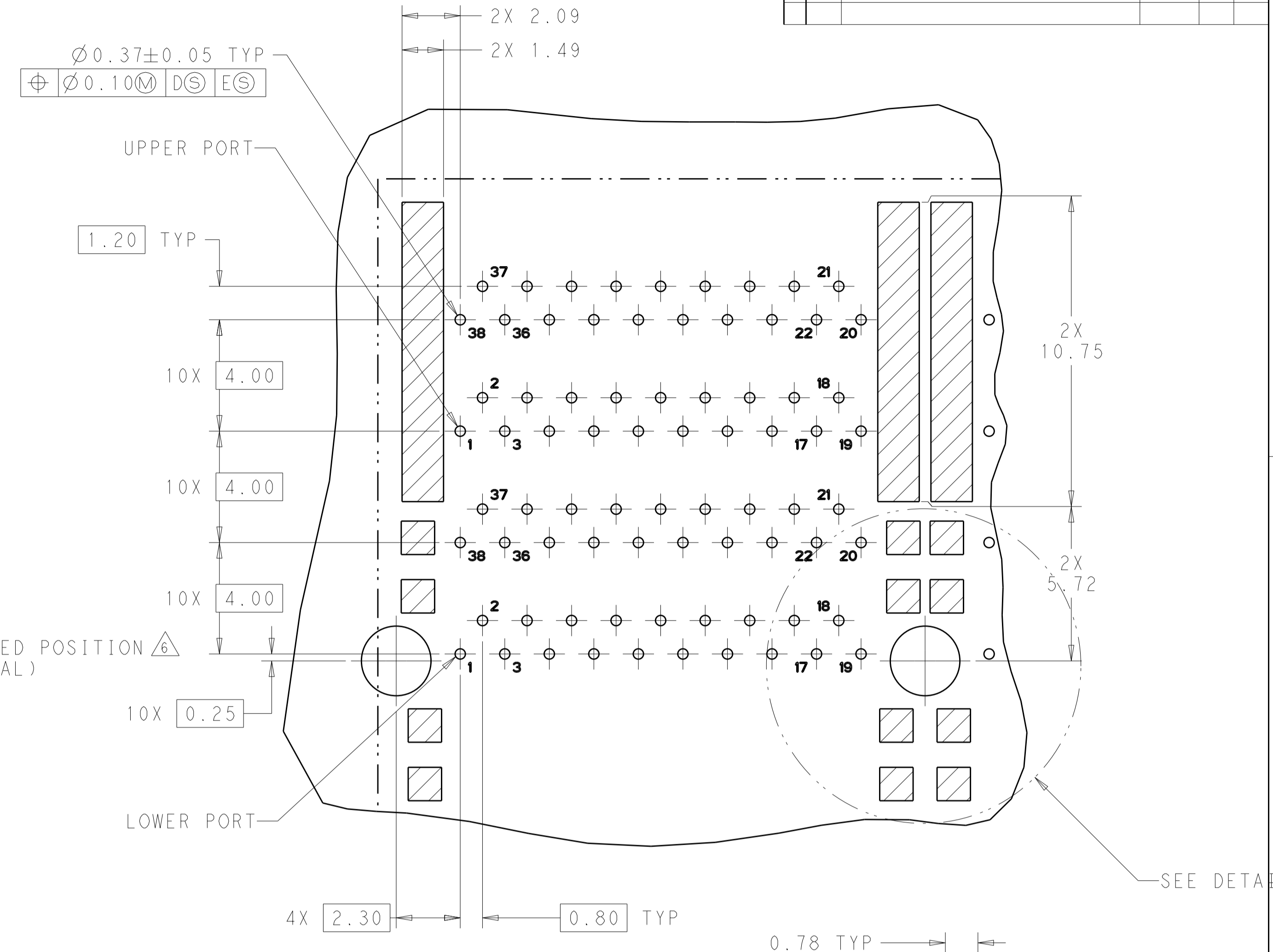
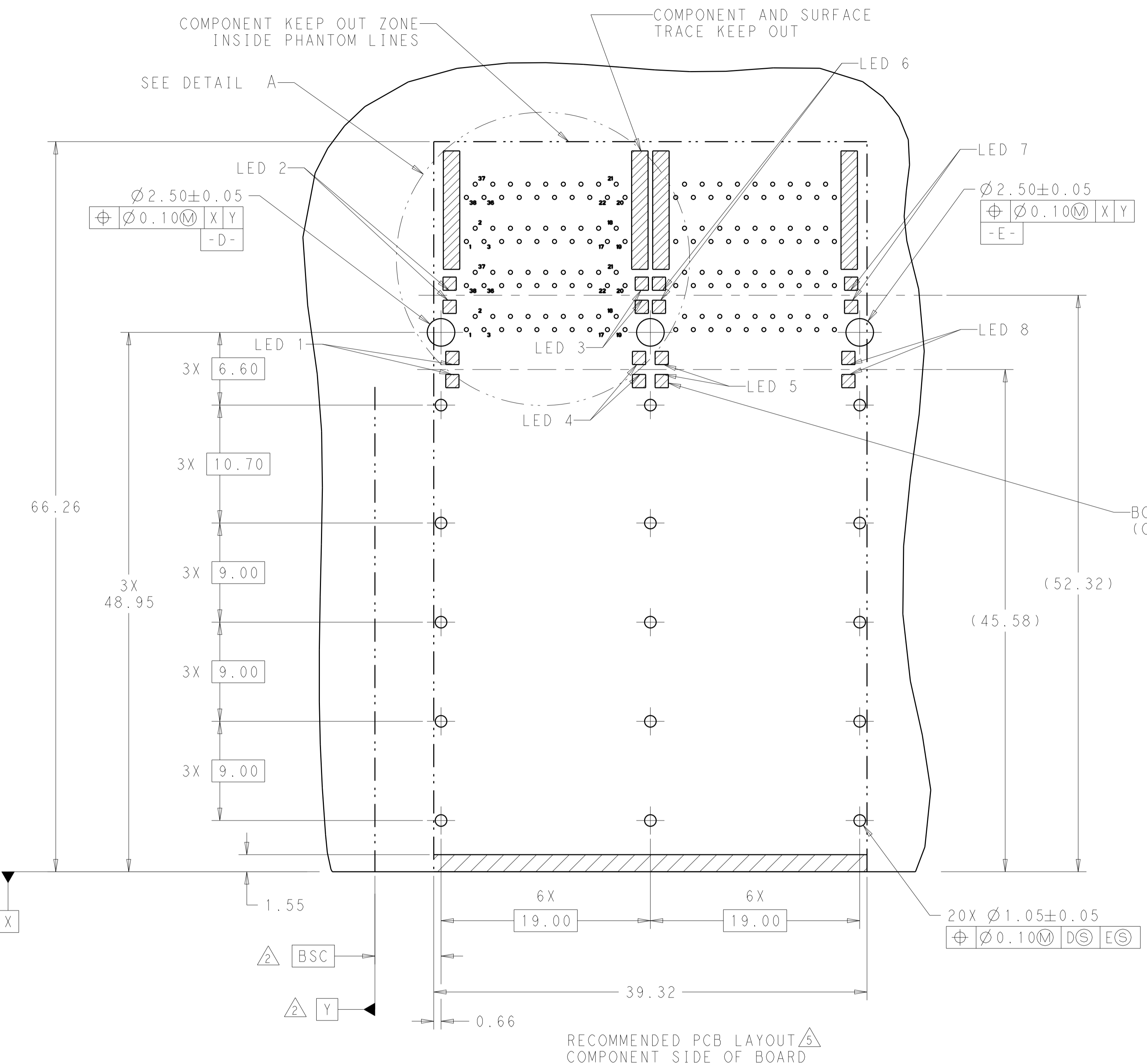
THIS DRAWING IS A CONTROLLED DOCUMENT. DWG: ROBERT GAN 20APR2013
 CHG: JASON YANG 20APR2013
 APVD: ALEX CAI 20APR2013

DIMENSIONS:	TOLERANCES UNLESS OTHERWISE SPECIFIED:
mm	0 PLC ± .
	1 PLC ± 0.25
	2 PLC ± 0.15
	3 PLC ± .
	4 PLC ± .
	ANGLES ± .
MATERIAL	FINISH

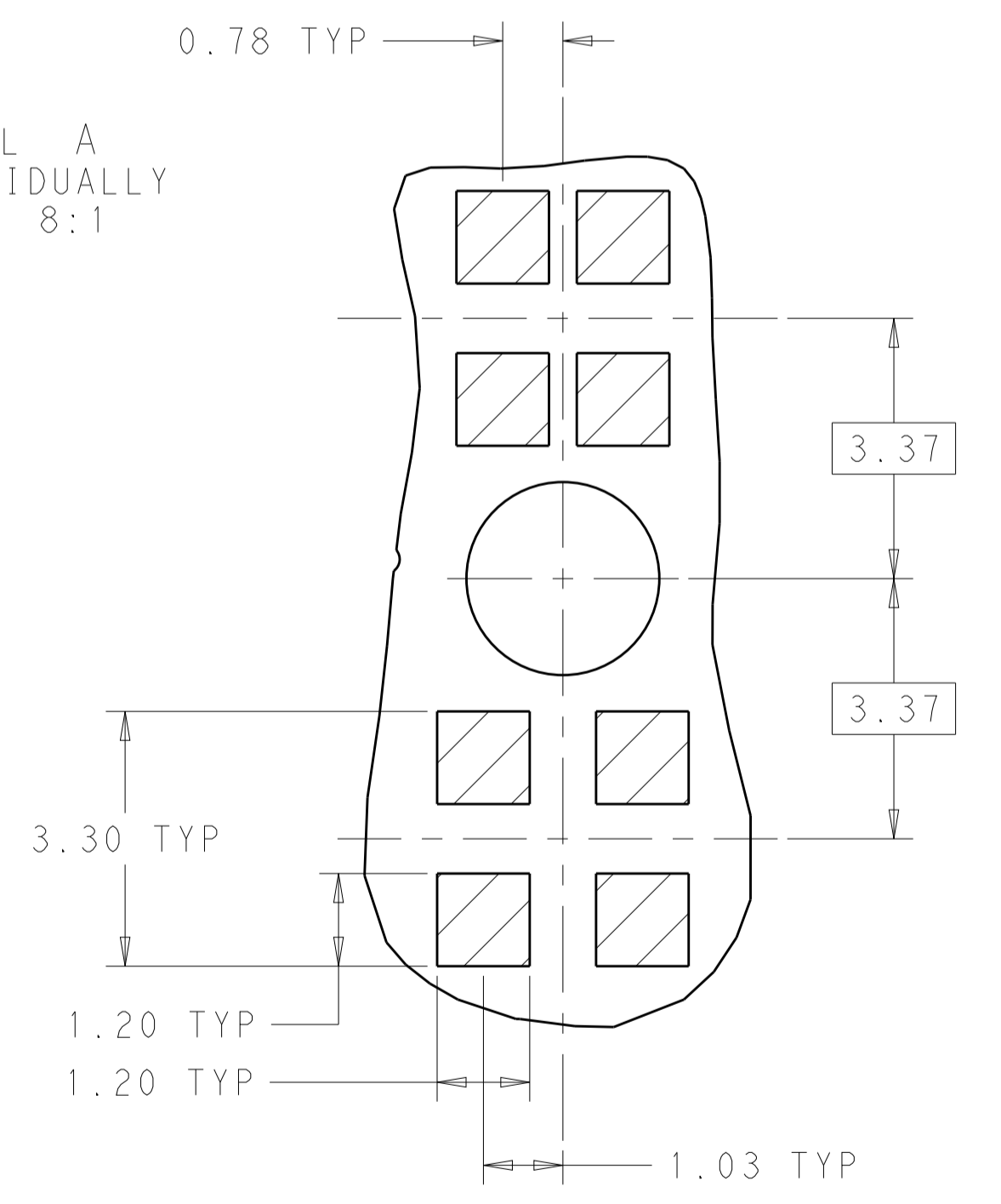
PRODUCT SPEC: 108-127010
 APPLICATION SPEC: 114-32020
 WEIGHT: A1 00779
 CAGE CODE: 2214574
 DRAWING NO: 00779
 SCALE: 4:1 SHEET 1 OF 4 REV 5

PRELIMINARY TE CONNECTIVITY
 CAGE AND PIT CONNECTOR ASSEMBLY WITH EMI GASKET, PRESS FIT, 2X2, STACKED QSFP+

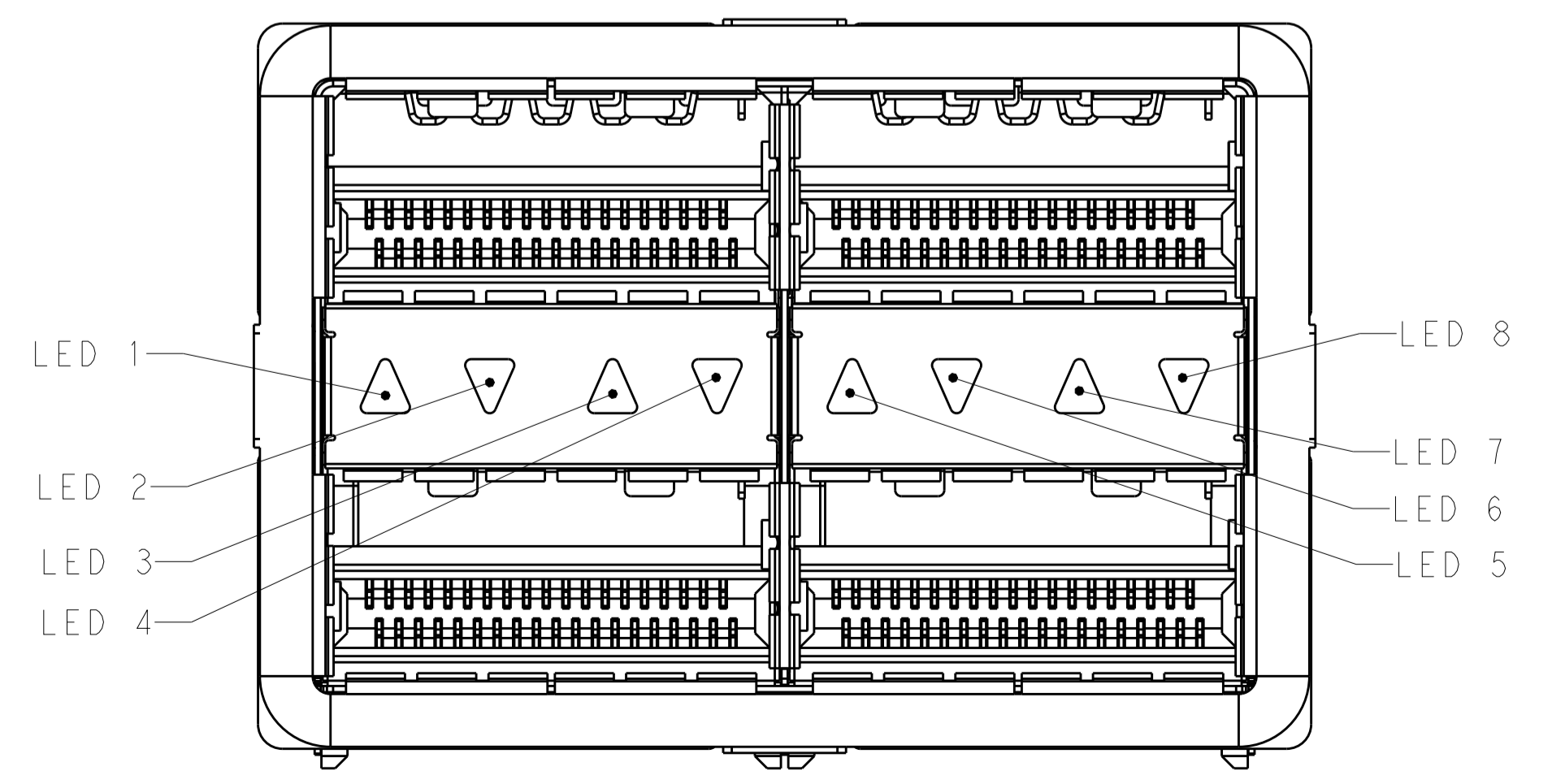
LOC	DIST	REVISIONS					
GP	00	P	LTH	DESCRIPTION	DATE	DWN	APVD
		-	-	SEE SHEET 1	-	-	-



DETAIL A
 2X INDIVIDUALLY
 SCALE 8:1



DETAIL B
 SCALE 12:1



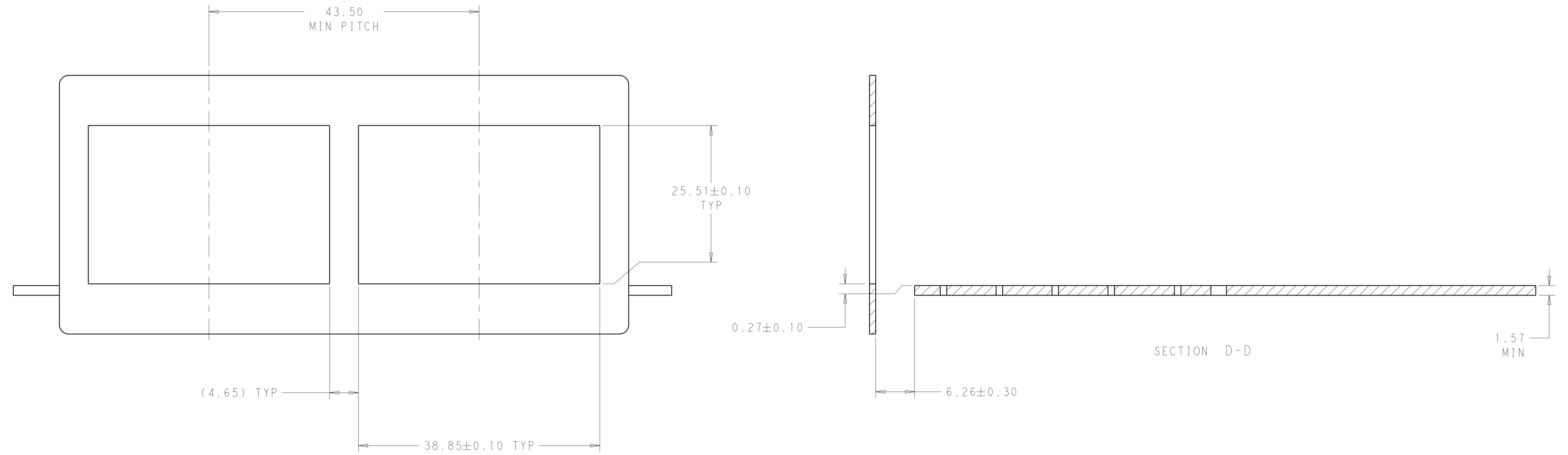
LED LAYOUT DEFINITION
 SCALE 4:1

RECOMMENDED PCB LAYOUT
 COMPONENT SIDE OF BOARD

THIS PRINT IS
PRELIMINARY
 UNQUALIFIED PRODUCT
 CONTACT PRODUCT ENGINEERING
 BEFORE USING THIS PRINT

THIS DRAWING IS A CONTROLLED DOCUMENT.		OWN: ROBERT GAN 20APR2013	TE Connectivity CAGE AND PT CONNECTOR ASSEMBLY WITH EMI GASKET, PRESS FIT, 2X2, STACKED QSFP+
DIMENSIONS: mm		CHK: JASON YANG 20APR2013	
TOLERANCES UNLESS OTHERWISE SPECIFIED:		APVD: ALEY CAL 20APR2013	
0 PLC ±. 1 PLC ±0.05 2 PLC ±0.05 3 PLC ±. 4 PLC ±. ANGLES ±. FINISH ±.		NAME: PRODUCT SPEC	
MATERIAL:		108-127010	SIZE: CAGE CODE DRAWING NO
		APPLICATION SPEC	RESTRICTED TO
		114-32020	SCALE: 4:1 SHEET 2 OF 4 REV 5
		WEIGHT: A1 00779	
		Customer Drawing	

LOC	DIST	REVISIONS					
		P	LTH	DESCRIPTION	DATE	DWN	APVD
GP	00	-	-	SEE SHEET 1	-	-	-

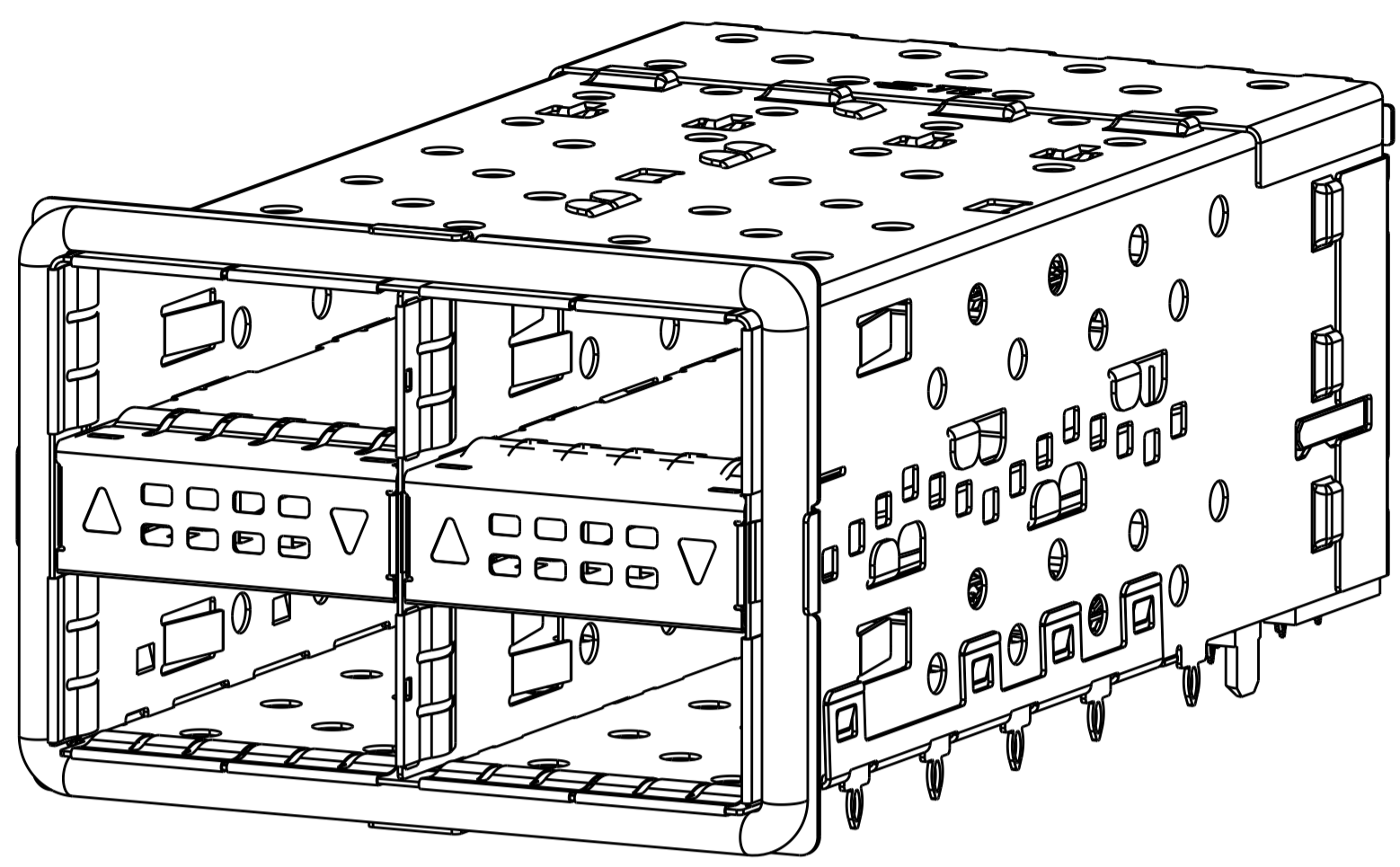


RECOMMENDED PANEL CUTOUT
 AND PC BOARD PANEL POSITION
 SCALE 3:1

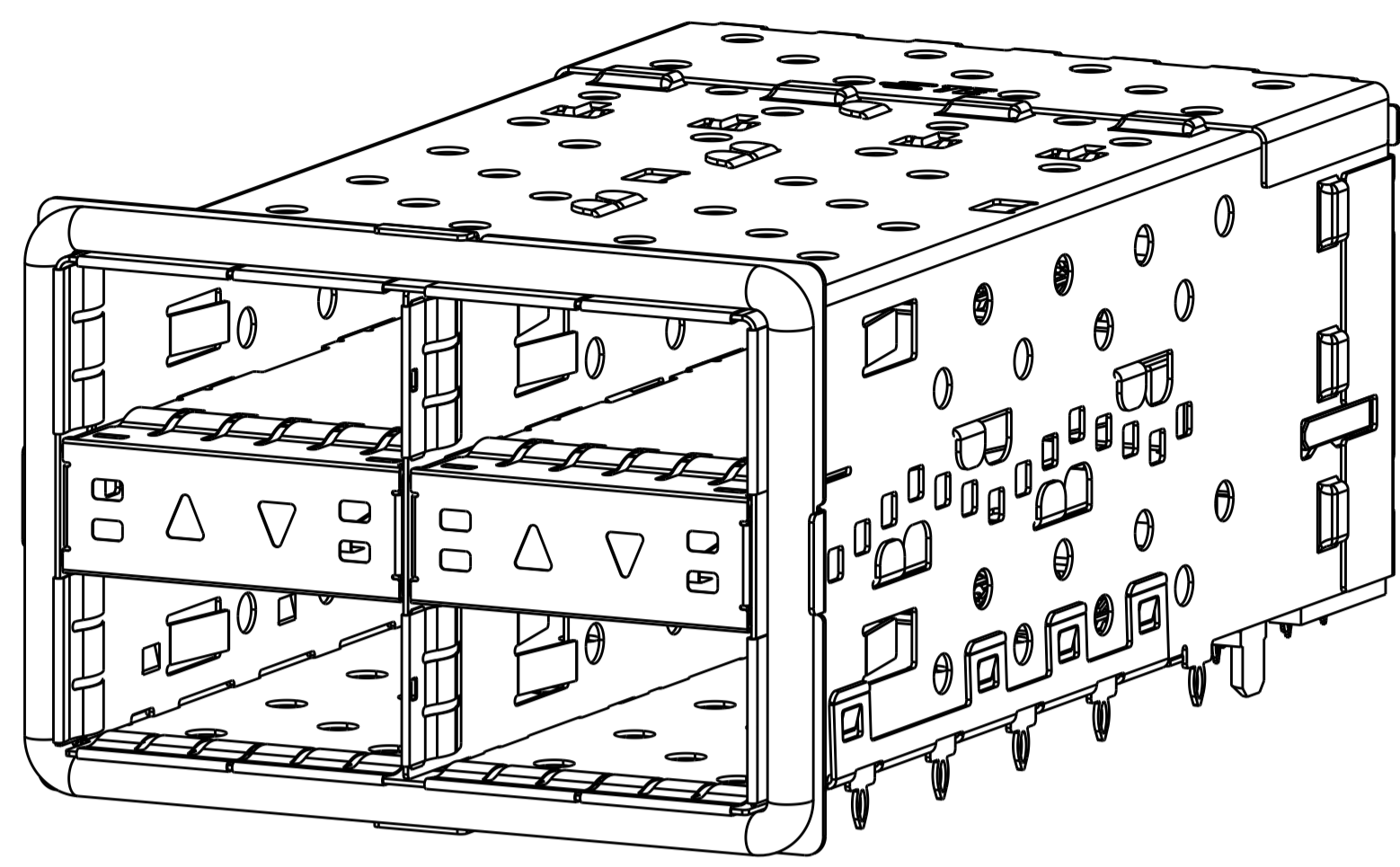
THIS PRINT IS
PRELIMINARY
 UNQUALIFIED PRODUCT
 CONTACT PRODUCT ENGINEERING
 BEFORE USING THIS PRINT

THIS DRAWING IS A CONTROLLED DOCUMENT.		OWN: ROBERT GAN 20APR2013	
DIMENSIONS: mm		CHK: JASON YANG 20APR2013	
TOLERANCES UNLESS OTHERWISE SPECIFIED:		APVD: ALEY CAI 20APR2013	
0 PLC ± 1 PLC ±0.25 2 PLC ±0.15 3 PLC ± 4 PLC ± ANGLES ±		NAME: CAGE AND PT CONNECTOR ASSEMBLY WITH EMI GASKET, PRESS FIT, 2X2, STACKED QSFP+	
MATERIAL		PRODUCT SPEC: 108-127010	SIZE: A1
FINISH		APPLICATION SPEC: 114-32020	CAGE CODE: 00779
		WEIGHT: 2214574	DRAWING NO: 2214574
		Customer Drawing	RESTRICTED TO: -
		SCALE: 4:1	SHEET 3 OF 4
			REV 5

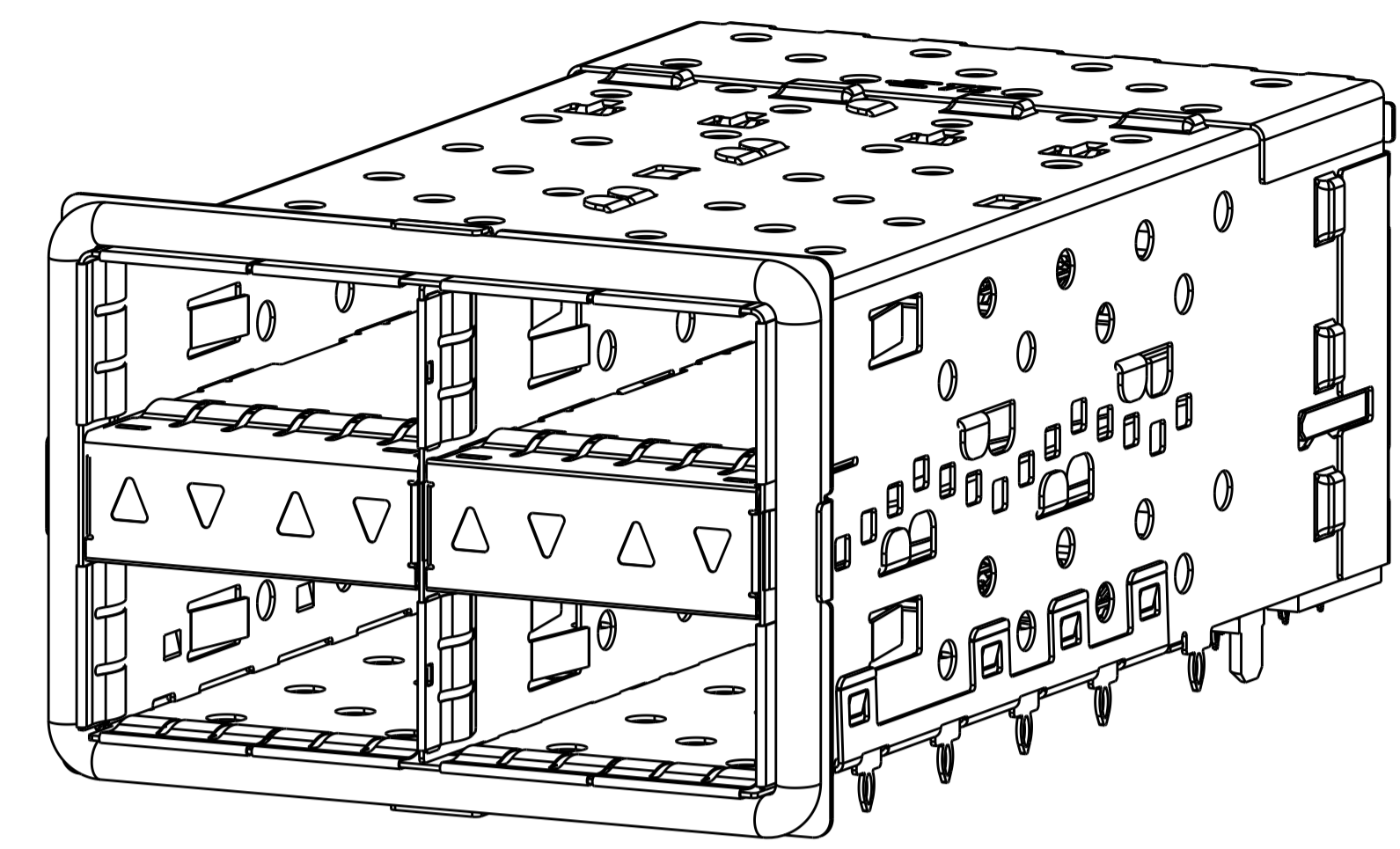
LOC		DIST		REVISIONS			
GP	00	P	LYR	DESCRIPTION	DATE	DMN	APVD
		-		SEE SHEET 1			



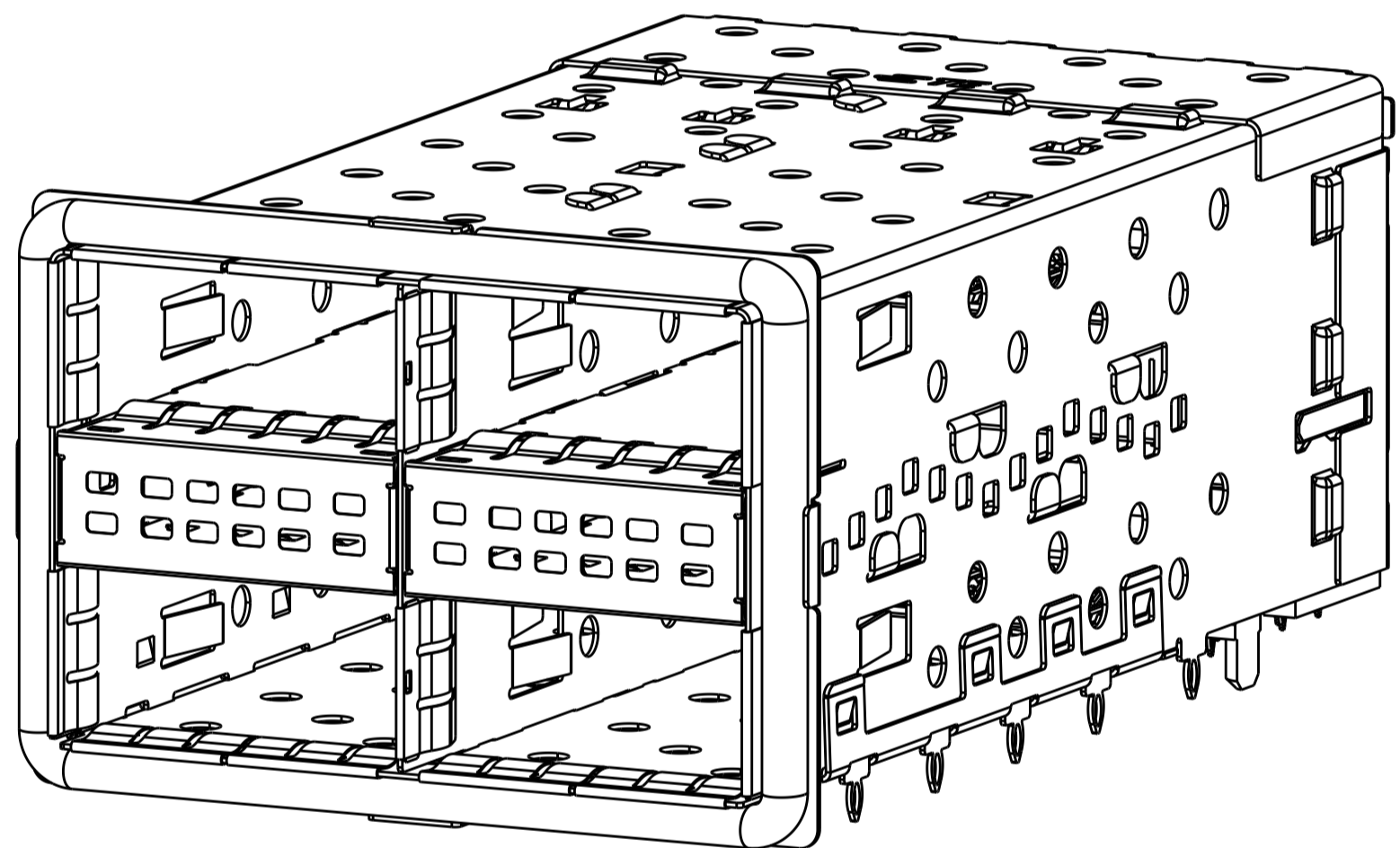
2214574-1 SCALE 3:1



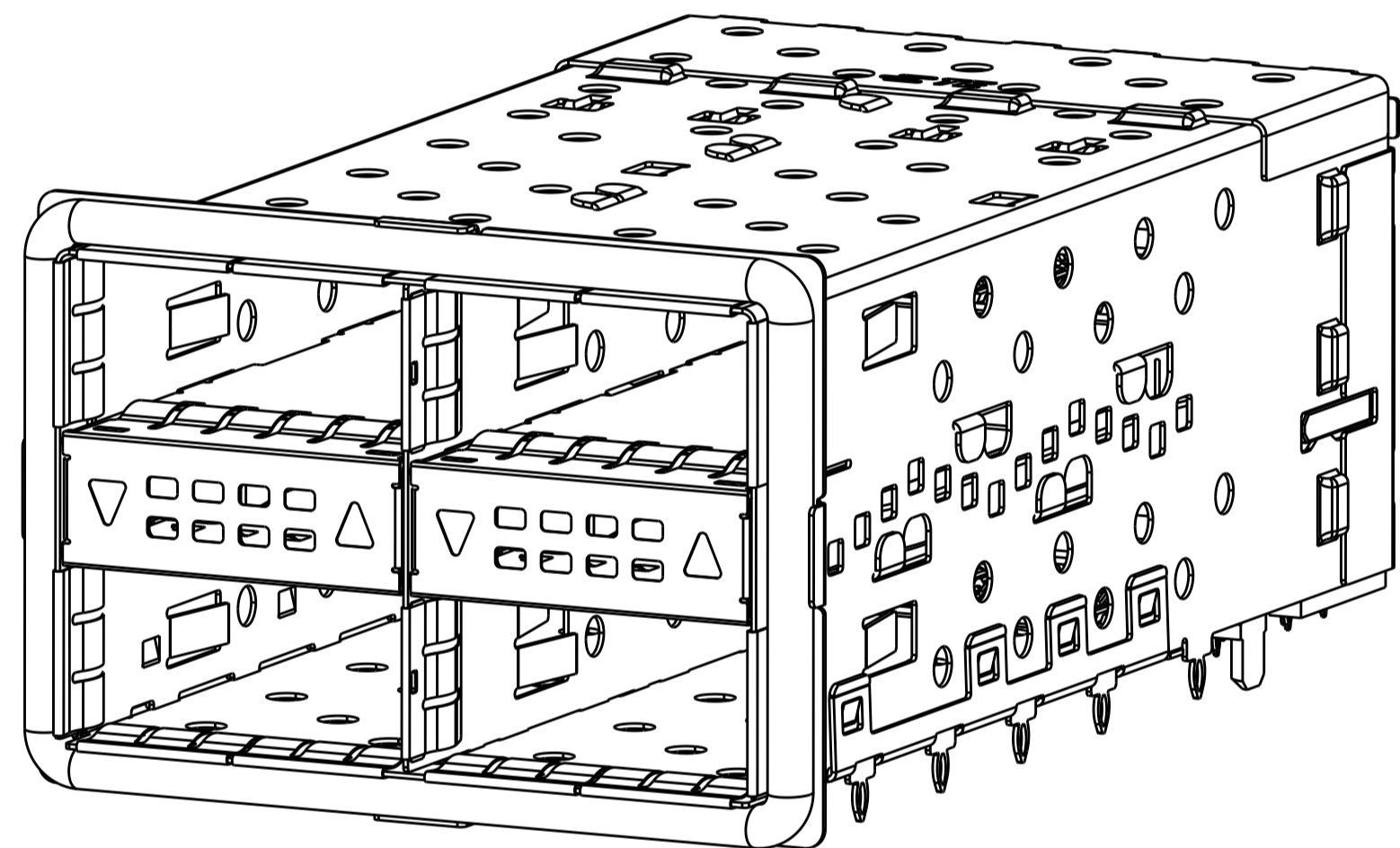
2214574-2 SCALE 3:1



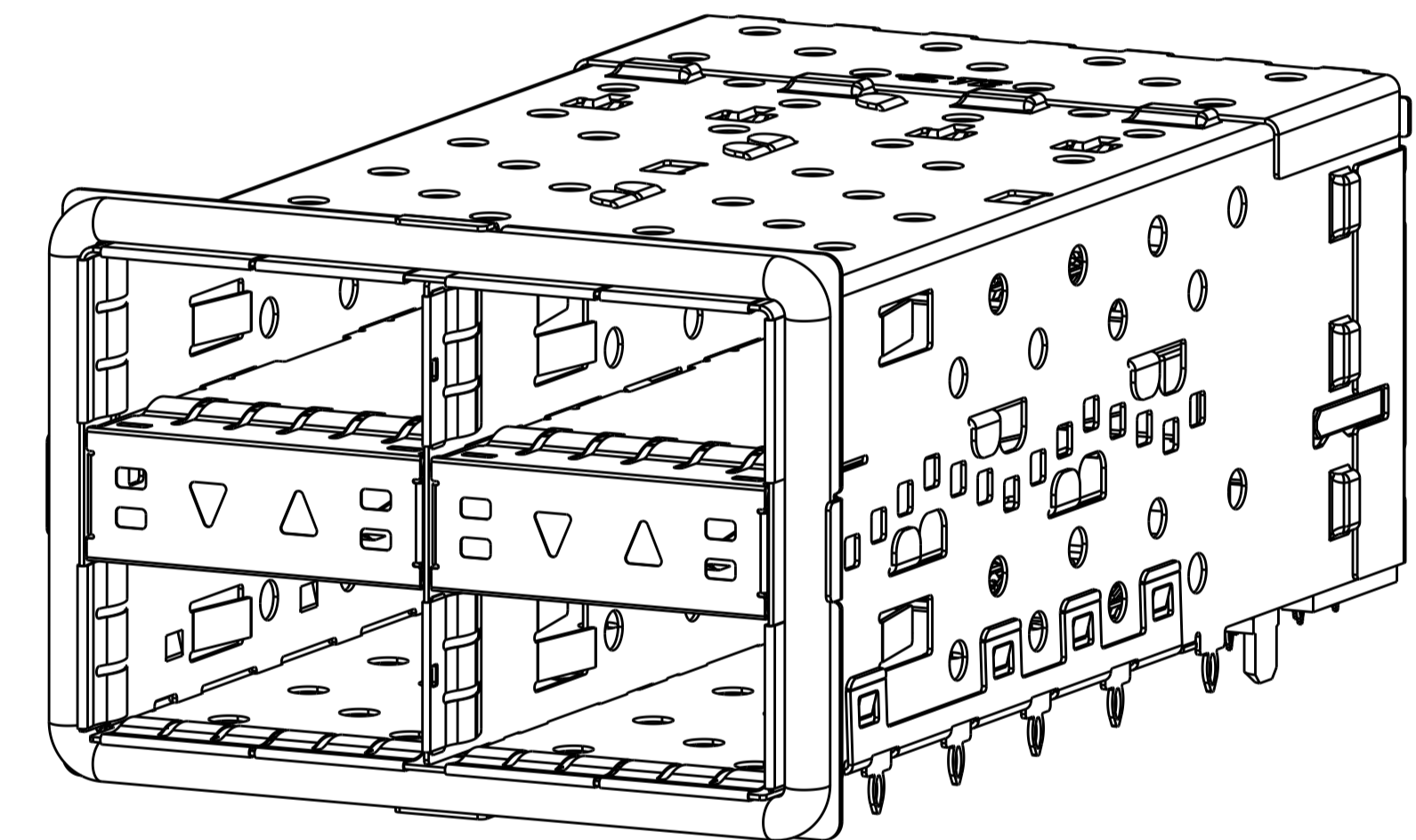
2214574-3 SCALE 3:1



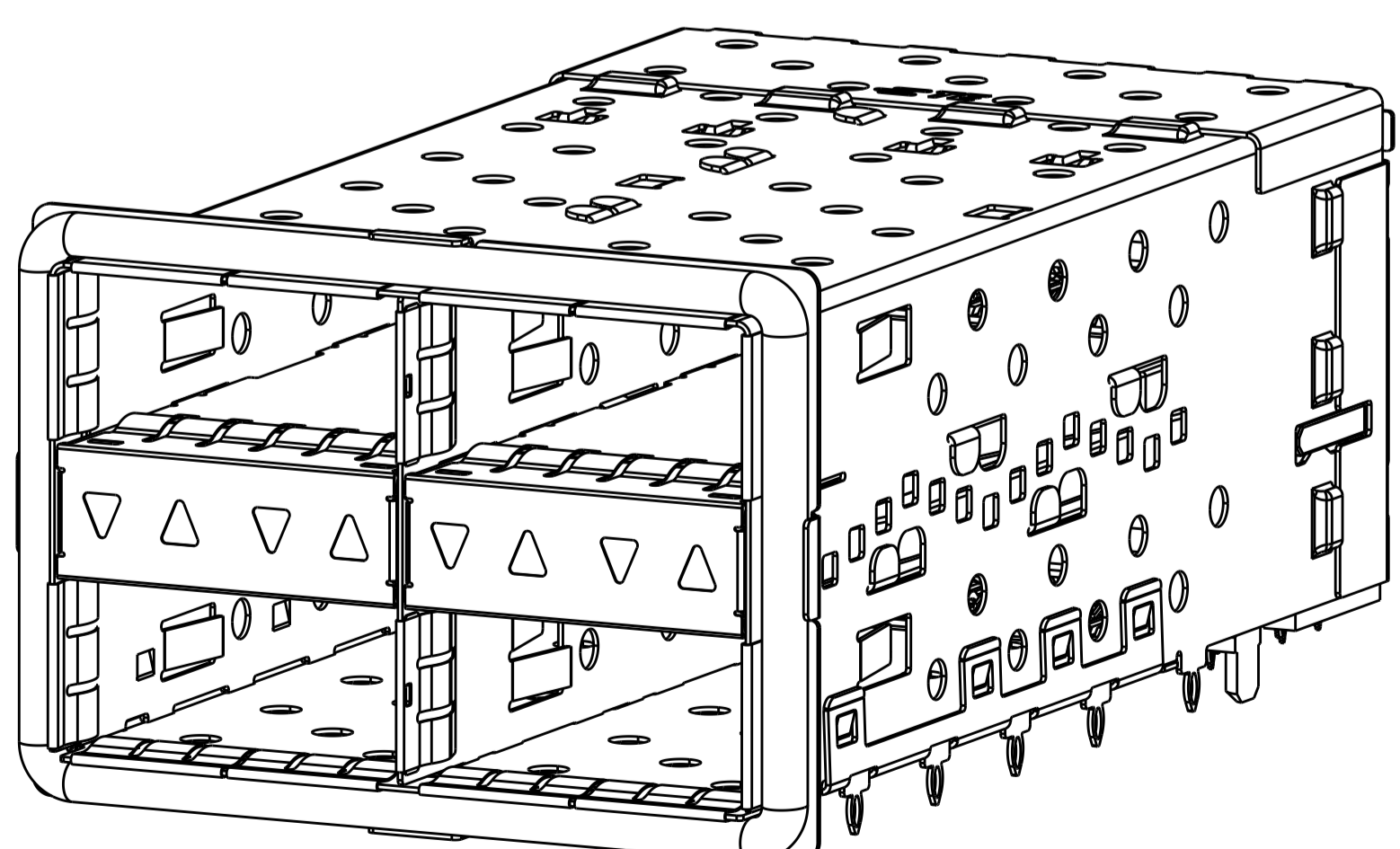
2214574-4 SCALE 3:1



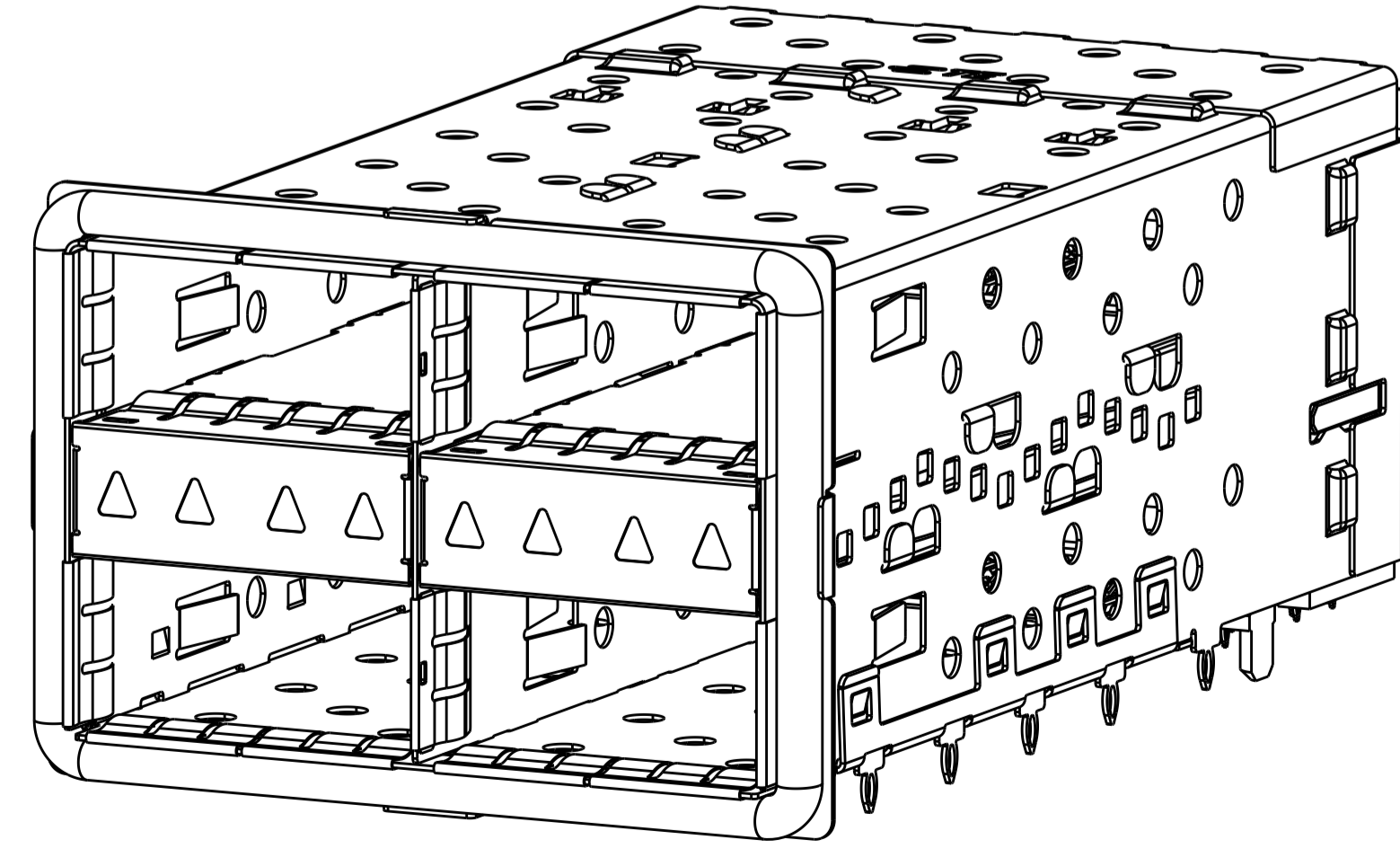
2214574-5 SCALE 3:1



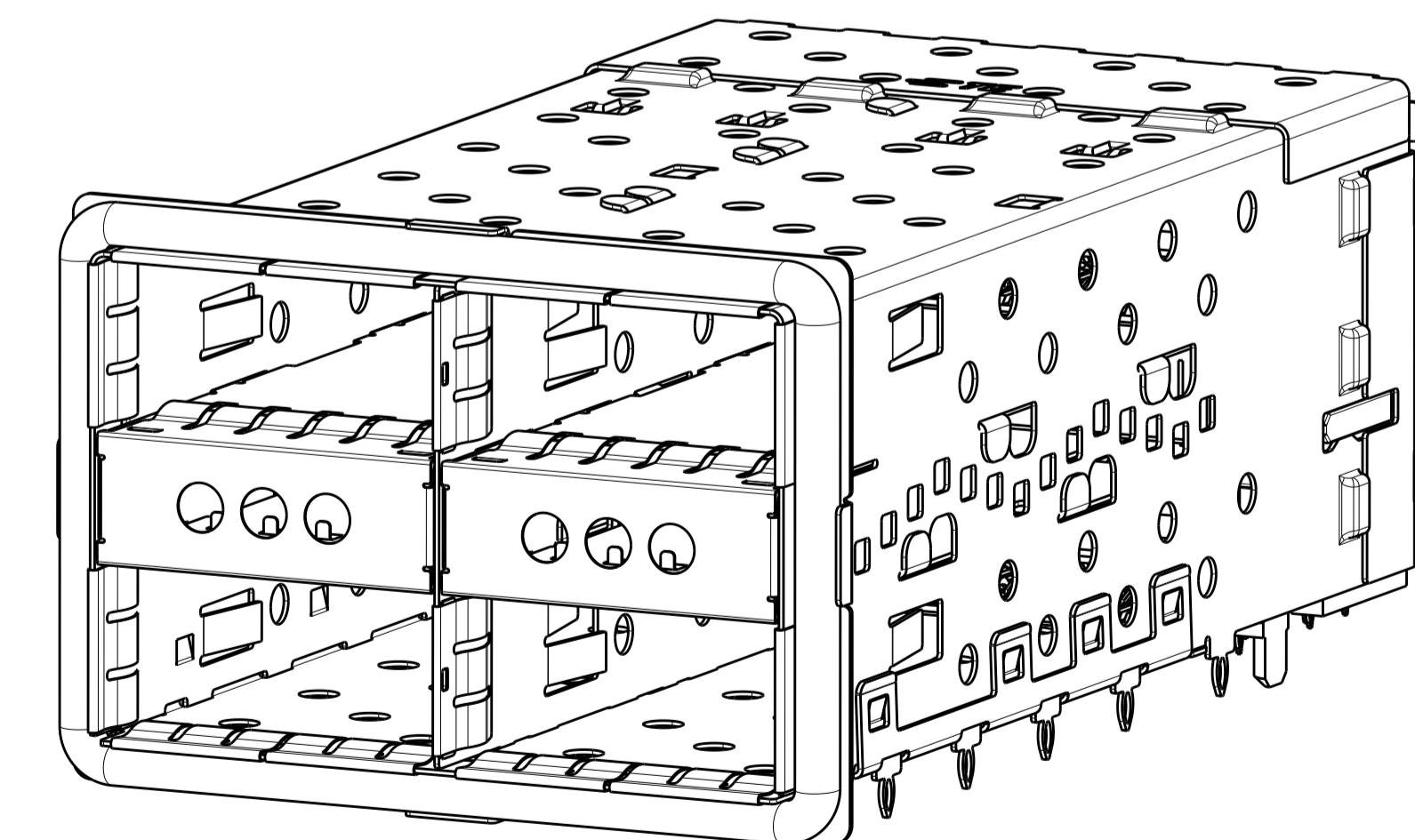
2214574-6 SCALE 3:1



2214574-7 SCALE 3:1



2214574-8 SCALE 3:1



2214574-9 SCALE 3:1

THIS DRAWING IS A CONTROLLED DOCUMENT.		DMN: ROBERT_GAN 20APR2013	TE Connectivity
		CHK: JASON YANG 20APR2013	
DIMENSIONS:		APVD: ALEX_CAI 20APR2013	NAME: CAGE AND PT CONNECTOR ASSEMBLY WITH EMI GASKET, PRESS FIT, 2X2, STACKED QSFP+
TOLERANCES UNLESS OTHERWISE SPECIFIED:		PRODUCT SPEC	
mm		108-127010	
0 PLC ±- 1 PLC ±0.25 2 PLC ±0.15 3 PLC ±- 4 PLC ±- ANGLES ±- FINISH ±-		APPLICATION SPEC	
MATERIAL:		114-32020	RESTRICTED TO
		WEIGHT	A1 00779C=2214574
		Customer Drawing	SCALE 4:1 SHEET 4 OF 4 REV 5