

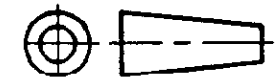
ZEICHNUNG GESCHÜTZT DURCH
©COPYRIGHT 1988
AMP DEUTSCHLAND GMBH
ALLE RECHTE VORBEHALTEN

REV.	ÄNDERUNG	DATUM	NAME
1	MASS 2.54 ± 0.1 WAR 2.54 , 2.2 WAR 2.5 MASS 3.0 ± 0.2 WAR 3.0 HINZU ALLG. TOLERANZ ± 0.1	02.11.88	AUGUSTINIAK
2	ZEICHNUNG IN EUROPEAN PROJECTION GEÄNDERT	30.11.90	A.HO
3	LÖTLÄNGE VON 3 IN 3.1 GEÄNDERT	12.03.92	A.HO

DO NOT SCALE
DIMENSIONS IN mm

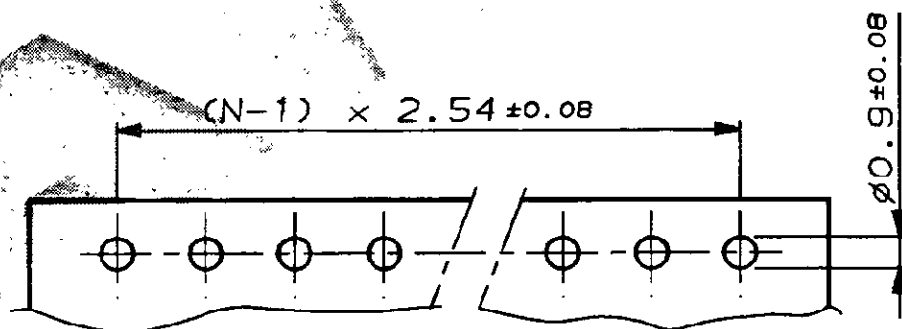
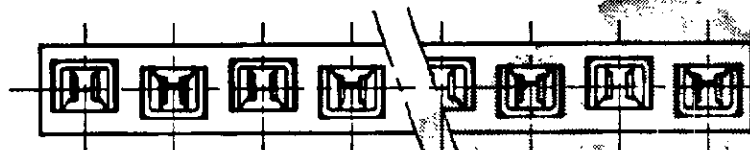
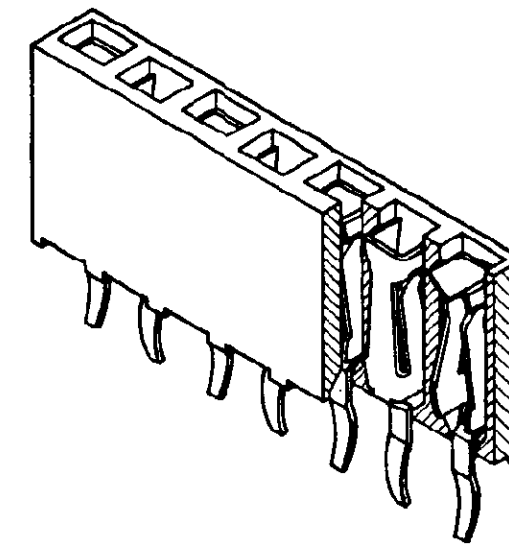
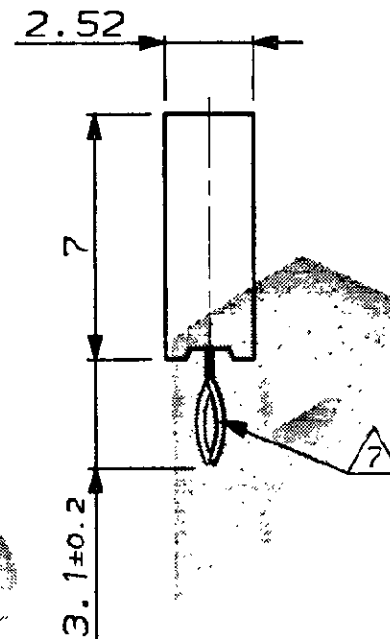
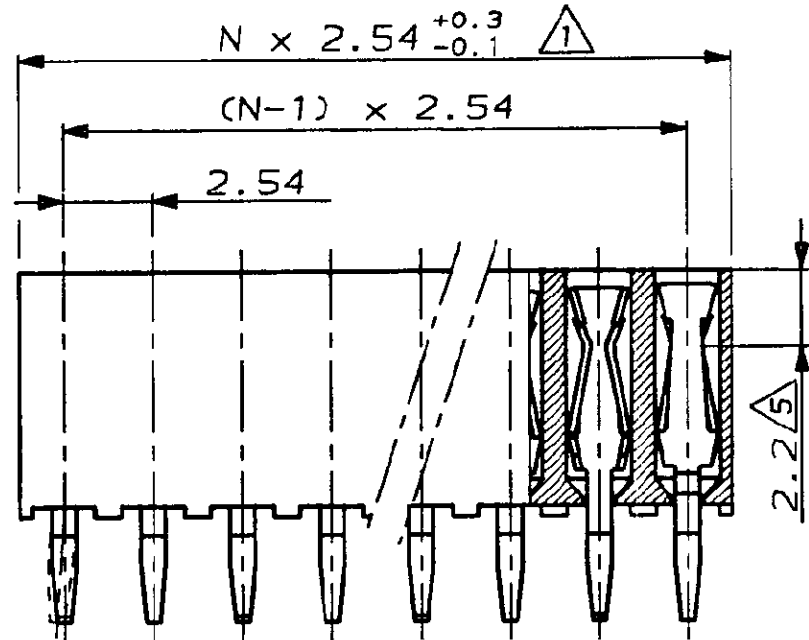
METRIC

EUROPEAN
PROJECTION



NOTES:

- TO DETERMINE DIMENSIONS TAKE $N = \text{NR. OF POS.}$.
FOR EXAMPLE: 10 POS.; $N \times 2.54 = 25.4 \text{ mm.}$
FOR ORDERNR. USE BASIC NR. + NR. OF POS.
FOR EXAMPLE: 2 POS. = 215 297-2 (SHORTEST VERSION)
36 POS. = 3-215 297-6 (LONGEST VERSION)
- HOUSING MATERIAL: GREEN GLASSFILLED POLYESTER, UL 94V-0
CONTACT MATERIAL: PHOSPHORBRONZE.
- PLATING: UNDERCOATING: 1,3 μm Ni.
AT CONT. PLACE: 0,8 μm Au.
AT SOLDER-TYNES: 2,5 μm Sn.Pb.
- MATES WITH 0,63 SQUARE/ROUND MODU POSTS.
- CONTACT-POINT.
- RECOMMENDED P.C. BOARD-THICKNESS: 1,6.
- RETENTION FEATURE.



P.C.-BOARD HOLE-PATTERN

NICHT TOLERIERTE MASSE	
± 0.1	
± -	
MASSTAB	5:1

	SEE NOTES	SEE NOTES	SEE NOTES
	FINISH	MATERIAL	PARTNUMBER
CUSTOMER DRAWING	AMP	AMP-HOLLAND B.V.	's-Hertogenbosch, The Netherlands.
FOR REFERENCE ONLY WILL NOT BE UPDATED	THIS DRAWING IS UNPUBLISHED RELEASED FOR PUBLICATION 8.5.1987		
	© COPYRIGHT 1987 BY AMP-HOLLAND B.V. ALL INTERNATIONAL RIGHTS RESERVED. AMP PRODUCTS MAY BE COVERED BY U.S. AND FOREIGN PATENTS AND/OR PATENTS PENDING.		
DR. R.VISSER	DATE 08.05.87	WIRE RANGE -	NAME HV 100 VERTICAL CONNECTOR
CHK. W.SINONS	DATE	INSUL. RANGE -	SINGLE ROW, 7,0mm HEIGHT, TOP ENTRY, GOLD, MAX. 36 POSITIONS.
APP. L.V.SOEST	DATE	SIZE A3	SHEET 1 OF 1
		DWG. No. 215 297	REV. DATE D M Y 30 11 90
			REV. LTR. 3

8

7

6

5

4

3

2

1