



Have a Question?
 Chat with a Product Information Specialist

What can we help you find?

[Products](#) |
 [Industries](#) |
 [Resources](#) |
 [About TE](#) |
 [My Account](#) |
 [Innovation](#) |
 [Support Center](#)

222462-1 Product Details

[Share](#) |
 [Print](#) |
 [Email](#)



222462-1

TE Internal Number: 222462-1

Active

BNC RF Connectors

Always EU RoHS compliant but not ELV Compliant
 (Find RoHS Compliant Alternates/Statement of Compliance)

Product Highlights:

- Connector - RF
- Jack
- Connector Style = Jack
- Applies To Printed Circuit Board
- PCB Mounting Orientation = Vertical

[View all Features](#)

Quick Links

- ▶ [Pricing & Availability](#)
- ▶ [Search for Tooling](#)
- ▶ [Product Feature Selector](#)
- ▶ [Contact Us About This Product](#)

[Add to My Part List](#) |
 [Request Sample](#) |
 [Find Similar Products](#) |
 [Buy Product](#)

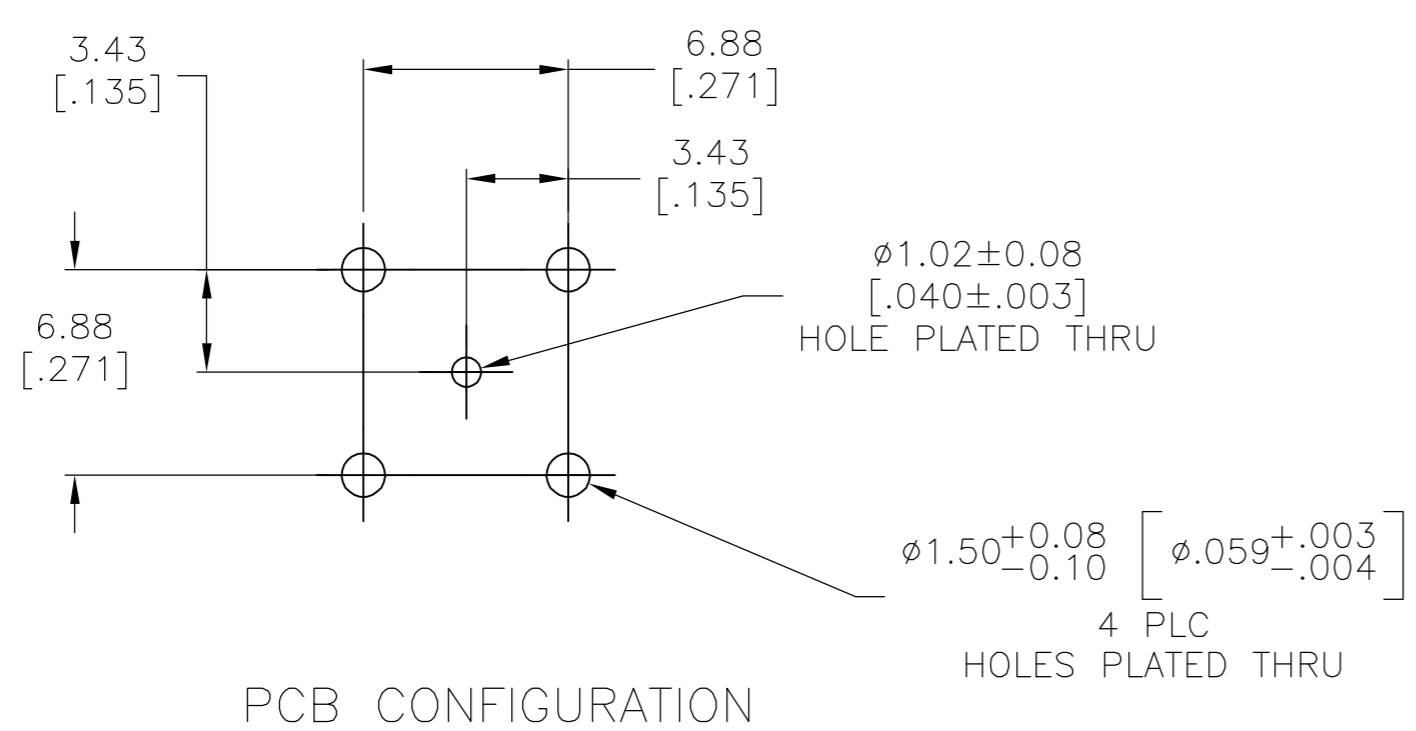
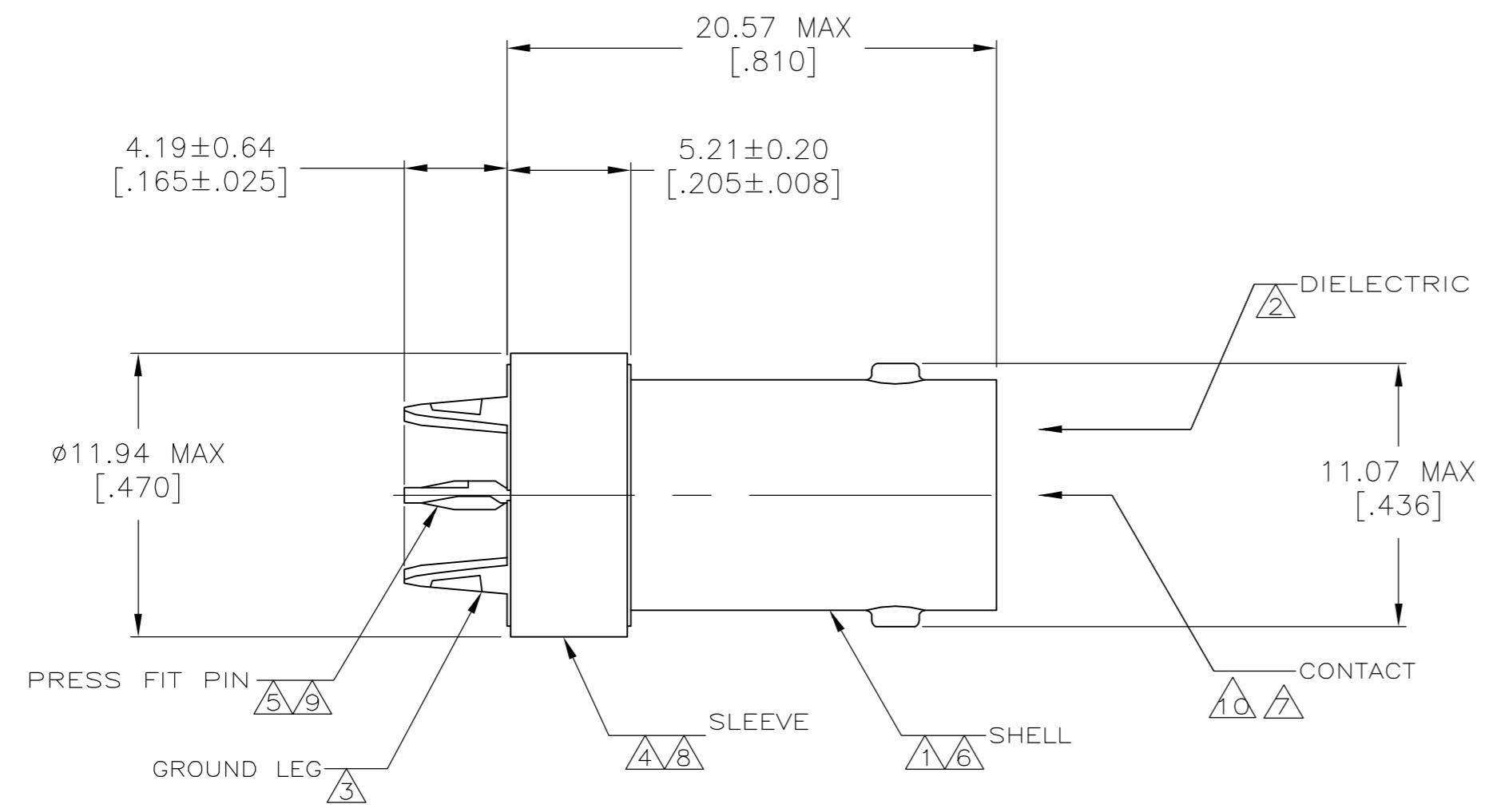
Documentation & Additional Information	
<p>Product Drawings:</p> <ul style="list-style-type: none"> • JACK, PCB, HIGH RETENTION PRESS FIT, 75 OHM, BNC (PDF, English) <p>Catalog Pages/Data Sheets:</p> <ul style="list-style-type: none"> • None Available <p>Product Specifications:</p> <ul style="list-style-type: none"> • Commercial Press-Fit BNC Coaxial PCB Receptacle Conn... (PDF, English) <p>Application Specifications:</p> <ul style="list-style-type: none"> • Commercial 50- and 75-Ohm BNC Press-Fit Printed Circ... (PDF, English) <p>Instruction Sheets:</p> <ul style="list-style-type: none"> • None Available <p>CAD Files:</p> <ul style="list-style-type: none"> • None Available 	<p>Related Products:</p> <ul style="list-style-type: none"> • Tooling

[List all Documents](#)

Product Features (Please use the Product Drawing for all design activity)	
<p>Product Type Features:</p> <ul style="list-style-type: none"> • Product Type = Connector - RF • Gender = Jack • PCB Mounting Orientation = Vertical • Grade = Commercial • PCB Mount Retention = With • PCB Mount Retention Type = Action/Compliant Tail • Sealed = No • Isolated = No • Dielectric Material = PTFE <p>Mechanical Attachment:</p> <ul style="list-style-type: none"> • Surface Mountable = No • Hardware Included = No • Panel Mount Retention = Without <p>Electrical Characteristics:</p> <ul style="list-style-type: none"> • Connector Impedance (Ω) = 75 <p>Dimensions:</p> <ul style="list-style-type: none"> • PCB Height (mm [in]) = 20.57 [0.810] <p>Body Features:</p> <ul style="list-style-type: none"> • Body Material = Zinc • Body Plating = Nickel • Body Insulation = Without • Polarized = No 	<p>Contact Features:</p> <ul style="list-style-type: none"> • Center Contact Material = Beryllium Copper • Center Contact Plating = Gold <p>Housing Features:</p> <ul style="list-style-type: none"> • Connector Style = Jack <p>Configuration Features:</p> <ul style="list-style-type: none"> • Number of Ports = 1 • Solder Terminal = Without <p>Industry Standards:</p> <ul style="list-style-type: none"> • Government/Industry Qualification = No • RoHS/ELV Compliance = RoHS/Not ELV Compliant • Lead Free Solder Processes = Not relevant for lead free process • RoHS/ELV Compliance History = Always was RoHS not ELV compliant <p>Conditions for Usage:</p> <ul style="list-style-type: none"> • Applies To = Printed Circuit Board <p>Other:</p> <ul style="list-style-type: none"> • Brand = AMP

THIS DRAWING IS UNPUBLISHED. RELEASED FOR PUBLICATION
 © COPYRIGHT BY TYCO ELECTRONICS CORPORATION. ALL RIGHTS RESERVED.

LOC	DIST	REVISIONS			
P	LTR	DESCRIPTION	DATE	DWN	APVD
AJ	00	N	REV PER ECO 07-002853	21MAR2007	DW JL



- 1 ZINC PER QQ-Z-363.
 - 2 PTFE PER MIL-P-19468.
 - 3 COPPER-IRON ALLOY PER ASTM-B-465.
 - 4 COPPER PER QQ-C-576.
 - 5 COPPER-NICKEL ALLOY PER ASTM-B-122.
 - 6 NICKEL PLATE PER QQ-N-290
3.81 µm [.000150] MINIMUM THICK.
 - 7 GOLD PLATE PER MIL-G-45204
0.76 µm [.000030] MINIMUM THICK.
 - 8 TIN PLATE PER ASTM-B-545,
2.54 µm [.000100] MIN THICK.
 - 9 GOLD PLATE PER MIL-G-45204
 - 10 BERYLLIUM COPPER PER ASTM-B-643
 - 11 .010 ± .001 THICK, MYLAR (POLYESTER FILM) INSULATOR, AMP P/N 1274912-1, ATTACHED TO BOTTOM, (NOT SHOWN).
 - 12 TIN-LEAD PLATE PER ASTM-B-545,
2.54 µm [.000100] MIN THICK.
13. CONNECTOR PRESS FIT IS DESIGNED TO PROVIDE 100 LB. MINIMUM AXIAL RETENTION TO PCB COMPLIANT WITH TYCO APPLICATION SPEC 114-12001. AS A RESULT, DEFORMATION OF PLATED THROUGH HOLES WILL OCCUR. CUSTOMER VALIDATION AND ACCEPTANCE OF THIS DEFORMATION IS RECOMMENDED PRIOR TO SPECIFYING USE OF THIS PRODUCT.

OBSOLETE	8	9-222462-0
	11	222462-4
SUPERSEDED BY 222462-1	12	222462-2
	12	222462-1
	GROUND LEG	PART NUMBER

THIS DRAWING IS A CONTROLLED DOCUMENT.		DWN J. LIPPERT 05MAR01	Tyco Electronics Corporation Harrisburg, PA 17105-3608	
DIMENSIONS: mm [INCHES]		CHK D. TAYLOE 8-2-93	NAME JACK, PCB, HIGH RETENTION PRESS FIT, 75 OHM, BNC	
TOLERANCES UNLESS OTHERWISE SPECIFIED:		APVD J. LIPPERT 8-5-93	PRODUCT SPEC 108-12103	
0 PLC ± -		APPLICATION SPEC 114-12001		
1 PLC ± -		SIZE A2		
2 PLC ± 0.05 [.002]		CAGE CODE 00779		
3 PLC ± -		DRAWING NO C=222462		
4 PLC ± -		RESTRICTED TO -		
ANGLES ± -		SCALE 5:1		
FINISH		SHEET 1 of 1		
1 THRU 5,10,11		REV N		
6 THRU 10,12		CUSTOMER DRAWING		