

Distributed by:

JAMECO[®]
ELECTRONICS

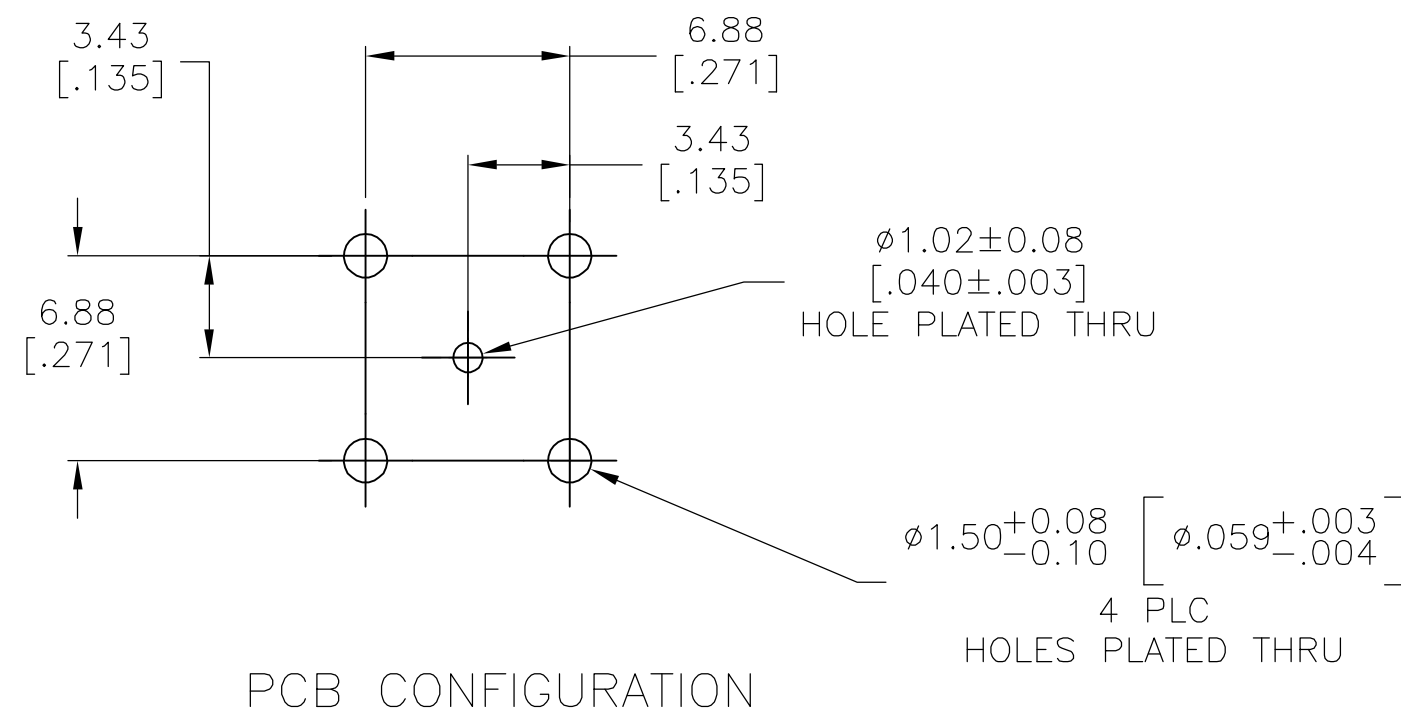
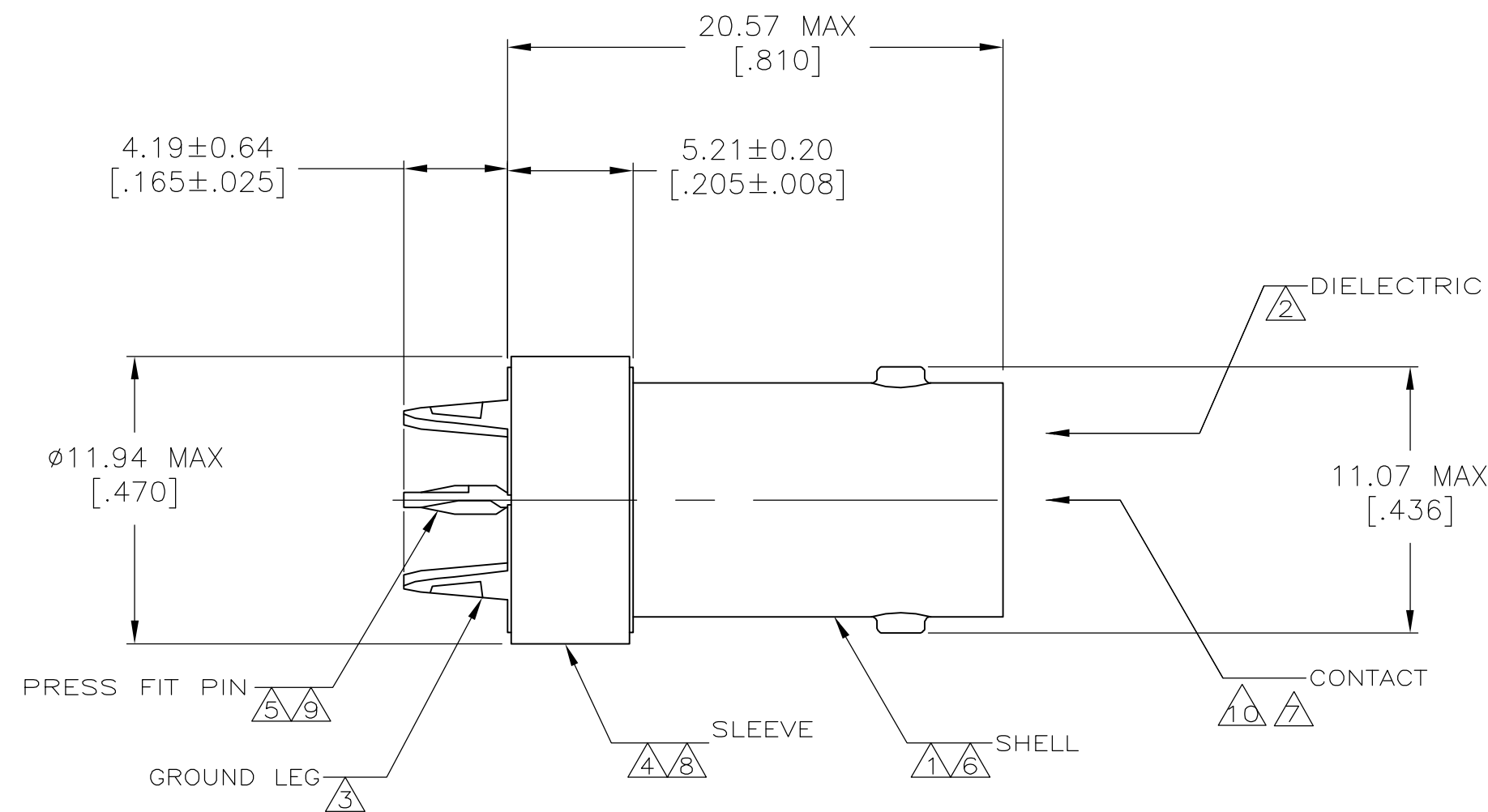
www.Jameco.com ♦ 1-800-831-4242

The content and copyrights of the attached
material are the property of its owner.

Jameco Part Number 840077

THIS DRAWING IS UNPUBLISHED. RELEASED FOR PUBLICATION
 © COPYRIGHT BY TYCO ELECTRONICS CORPORATION. ALL RIGHTS RESERVED.

LOC	DIST	REVISIONS			
P	LTR	DESCRIPTION	DATE	DWN	APVD
AJ	16	M	REVISED PER ECO-05-015931	19DEC05	BM JL



- 1 ZINC PER QQ-Z-363.
- 2 PTFE PER MIL-P-19468.
- 3 COPPER-IRON ALLOY PER ASTM-B-465.
- 4 COPPER PER QQ-C-576.
- 5 COPPER-NICKEL ALLOY PER ASTM-B-122.
- 6 NICKEL PLATE PER QQ-N-290
3.81 μm [.000150] MINIMUM THICK.
- 7 GOLD PLATE PER MIL-G-45204
0.76 μm [.000030] MINIMUM THICK.
- 8 TIN PLATE PER ASTM-B-545,
2.54 μm [.000100] MIN THICK.
- 9 GOLD PLATE PER MIL-G-45204
- 10 BERYLLIUM COPPER PER ASTM-B-643
- 11 .010±.001 THICK, MYLAR (POLYESTER FILM) INSULATOR, AMP P/N 1274912-1, ATTACHED TO BOTTOM, (NOT SHOWN).
- 12 TIN-LEAD PLATE PER ASTM-B-545,
2.54 μm [.000100] MIN THICK.

8	9-222462-0
12	222462-4
12	222462-2
12	222462-1
GROUND LEG	PART NUMBER

SUPERSEDED BY 222462-1

THIS DRAWING IS A CONTROLLED DOCUMENT.		DWN J. LIPPERT 05MAR01	Tyco Electronics Corporation Harrisburg, PA 17105-3608	
DIMENSIONS: mm [INCHES]		CHK D. TAYLOR 8-2-93	NAME RECEPTACLE, PCB, PRESS FIT, 75 OHM, BNC	
TOLERANCES UNLESS OTHERWISE SPECIFIED:		APVD J. LIPPERT 8-5-93	PRODUCT SPEC 108-12103	
0 PLC ± -		APPLICATION SPEC 114-12001		
1 PLC ± -		SIZE A2		
2 PLC ± 0.05 [.002]		CAGE CODE 00779		
3 PLC ± -		DRAWING NO C=222462		
4 PLC ± -		RESTRICTED TO -		
ANGLES ± -		SCALE 5:1		
FINISH		SHEET 1 of 1		
1 THRU 5,10,11		REV M		
6 THRU 10,12		CUSTOMER DRAWING		