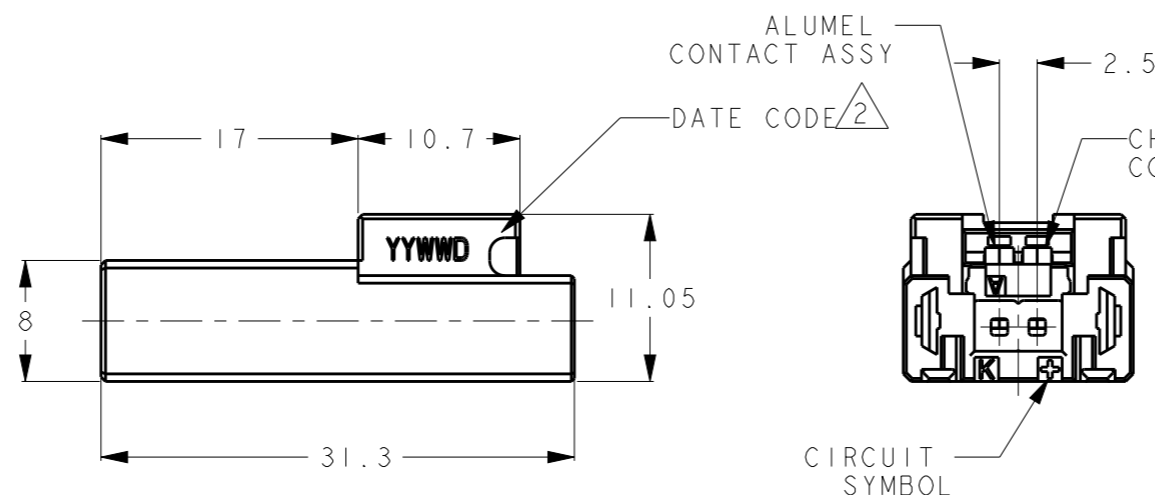
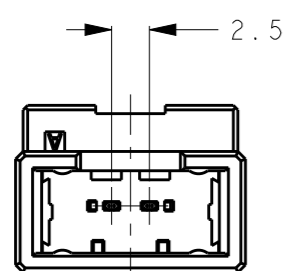
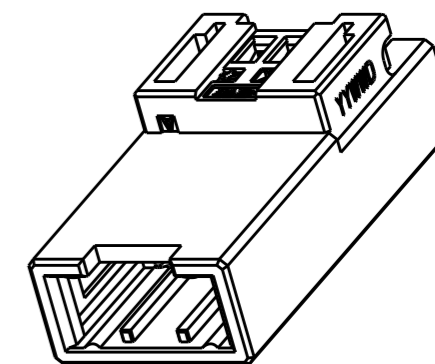
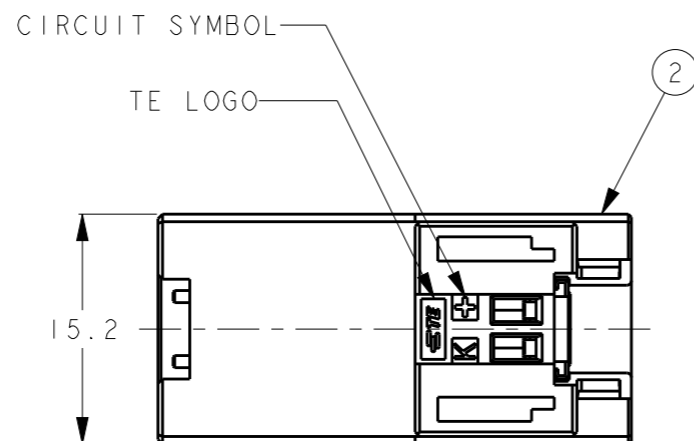


REVISIONS

P	LTR	DESCRIPTION	DATE	DWN	APVD
	A	RELEASED	28MAR2016	K.T	E.T
	A1	REVISED	27APR2016	K.T	E.T
	A2	REVISED	02JUN2016	K.T	E.T

TAB ASSEMBLY FREE HANGING TYPE



1 MATERIAL:
 CONTACT ASSY: STAINLESS STEEL
 CHROMEL/ALUMEL
 HOUSING: THERMOPLASTIC(UL94V-0)
 TRAY: POLYSTYRENE

2 DATE CODE
 YY: YEAR
 WW: WEEK
 D: DAY
 3. REFER TO INSTRUCTION SHEET 408-78115.

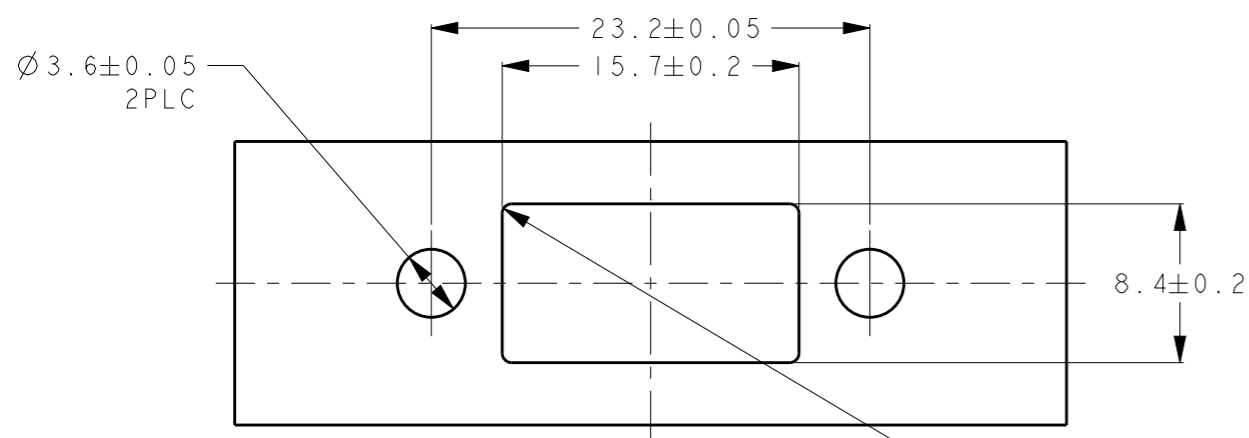
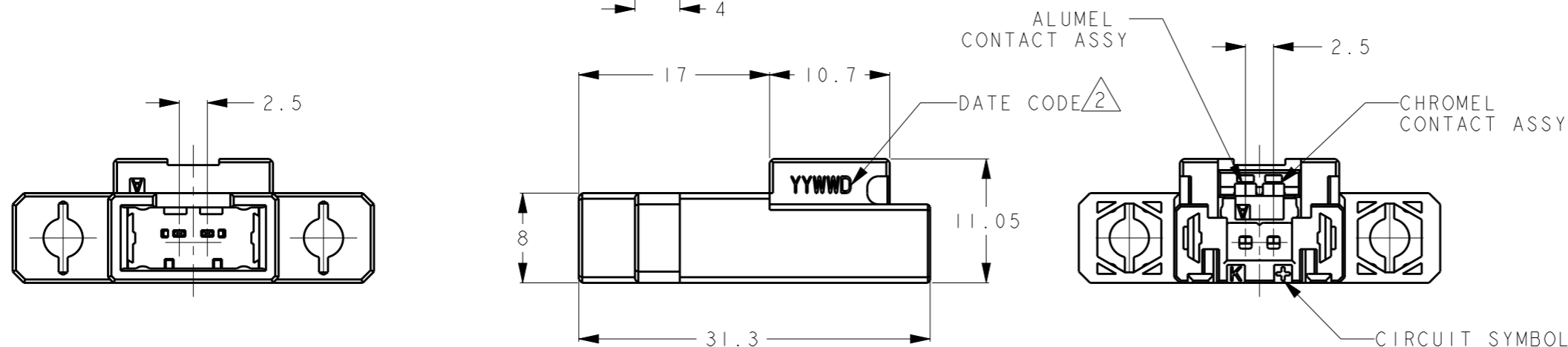
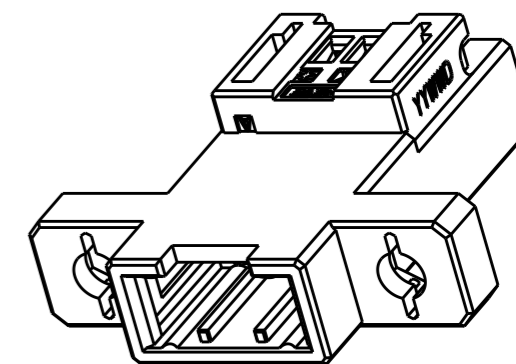
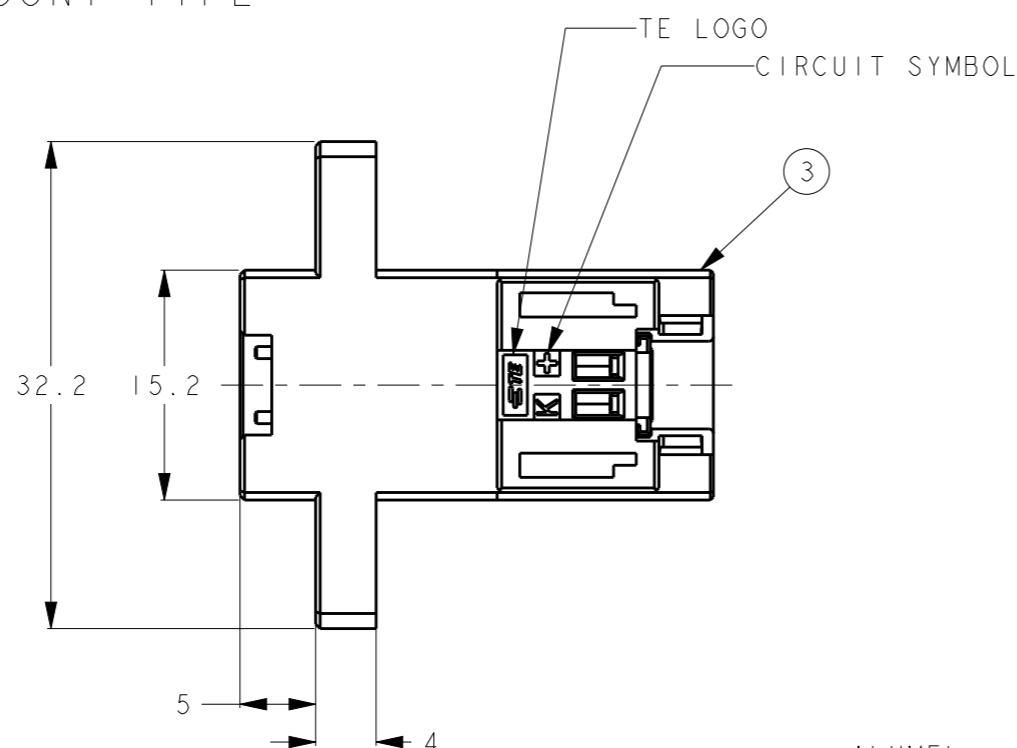
2-2299960-1	1-2299960-1		
54	-	TAB ASSY PANEL MOUNT(SHEET 2)	3
-	54	TAB ASSY FREE HANGING(SHEET 1)	2
1	1	TRAY(SEE SHEET 3 OF 4 AND 4 OF 4)	1
Q'TY		DESCRIPTION	NO

THIS DRAWING IS A CONTROLLED DOCUMENT.		DWN K. TERAJIMA 29MAR2016	STE TE Connectivity	
DIMENSIONS: mm		CHK E. TAKEMASA 29MAR2016		
TOLERANCES UNLESS OTHERWISE SPECIFIED: ± 0.3		APVD E. TAKEMASA 29MAR2016	NAME TRAY PACKAGE. THERMOCOUPLE CONNECTOR K-TYPE 2POS TAB ASSEMBLY	
0 PLC ± 1 PLC ± 2 PLC ± 3 PLC ± 4 PLC ± ANGLES ±5°		PRODUCT SPEC 108-140100	SIZE A300779	
MATERIAL		APPLICATION SPEC -	DRAWING NO C-2299960	
FINISH		WEIGHT -	RESTRICTED TO -	
1		CUSTOMER DRAWING	SCALE 2:1	SHEET 1 OF 4
			REV A2	

REVISIONS

P	LTR	DESCRIPTION	DATE	DWN	APVD
-	-	SEE SHEET 1	-	-	-

TAB ASSEMBLY PANEL MOUNT TYPE



RECOMENDED PANEL CUT LAYOUT
 - PANEL THICKNESS: 0.8 - 2.0
 - APPLICABLE SCREW: M3
 - TIGHTENING TORQUE: 0.315 N·m MAX.

R0.5
4PLC

THIS DRAWING IS A CONTROLLED DOCUMENT.

DIMENSIONS: mm	TOLERANCES UNLESS OTHERWISE SPECIFIED: ± 0.3
	0 PLC ±
	1 PLC ±
	2 PLC ±
	3 PLC ±
	4 PLC ±
	ANGLES ±5°
MATERIAL	FINISH

DWN	/
CHK	
APVD	
PRODUCT SPEC	
APPLICATION SPEC	108-140100
WEIGHT	-
CUSTOMER DRAWING	



NAME
 TRAY PACKAGE.
 THERMOCOUPLE CONNECTOR K-TYPE 2POS
 TAB ASSEMBLY

SIZE	CAGE CODE	DRAWING NO	RESTRICTED TO
A3	00779	C-2299960	-
SCALE	SHEET	OF	REV
2:1	2	4	A2

THIS DRAWING IS UNPUBLISHED.

RELEASED FOR PUBLICATION

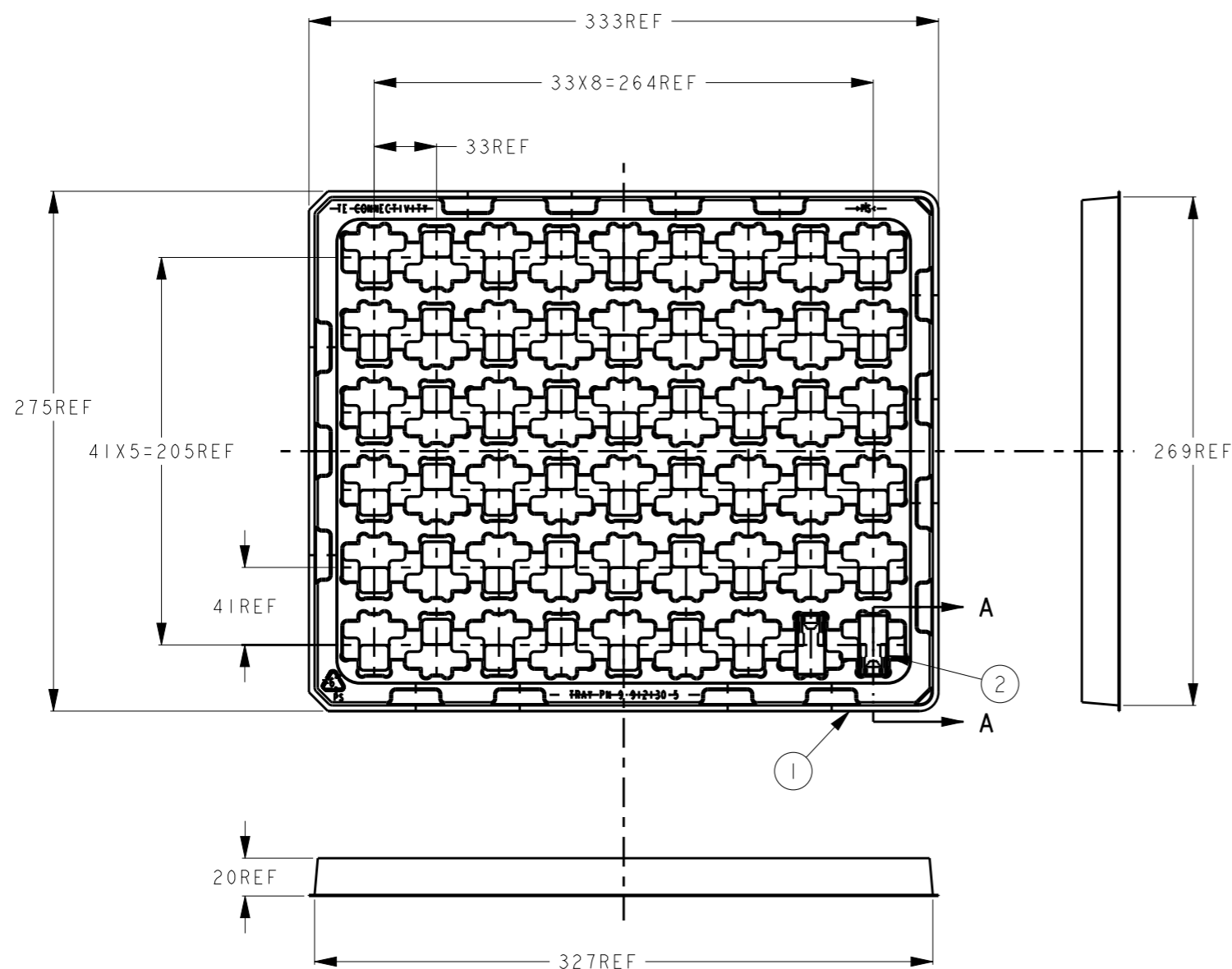
20

© COPYRIGHT 20 BY -

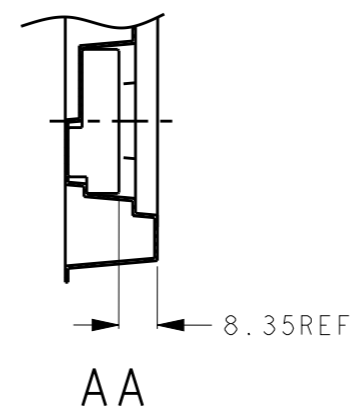
ALL RIGHTS RESERVED.

REVISIONS

P	LTR	DESCRIPTION	DATE	DWN	APVD
-	-	SEE SHEET 1	-	-	-

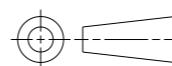


1-2299960-1: AS SHOWN
FREE HANGING TYPE



THIS DRAWING IS A CONTROLLED DOCUMENT.

DIMENSIONS:
mm



MATERIAL



TOLERANCES UNLESS OTHERWISE SPECIFIED:
± 0.5

Ø PLC	±
1 PLC	±
2 PLC	±
3 PLC	±
4 PLC	±
ANGLES	±5°
FINISH	

DWN
CHK
APVD
PRODUCT SPEC
APPLICATION SPEC
WEIGHT
CUSTOMER DRAWING



NAME
TRAY PACKAGE,
THERMOCOUPLE CONNECTOR K-TYPE 2POS
TAB ASSEMBLY

SIZE	CAGE CODE	DRAWING NO	RESTRICTED TO
A3	00779	C-2299960	-

SCALE NTS SHEET 3 OF 4 REV A2

THIS DRAWING IS UNPUBLISHED.

RELEASED FOR PUBLICATION

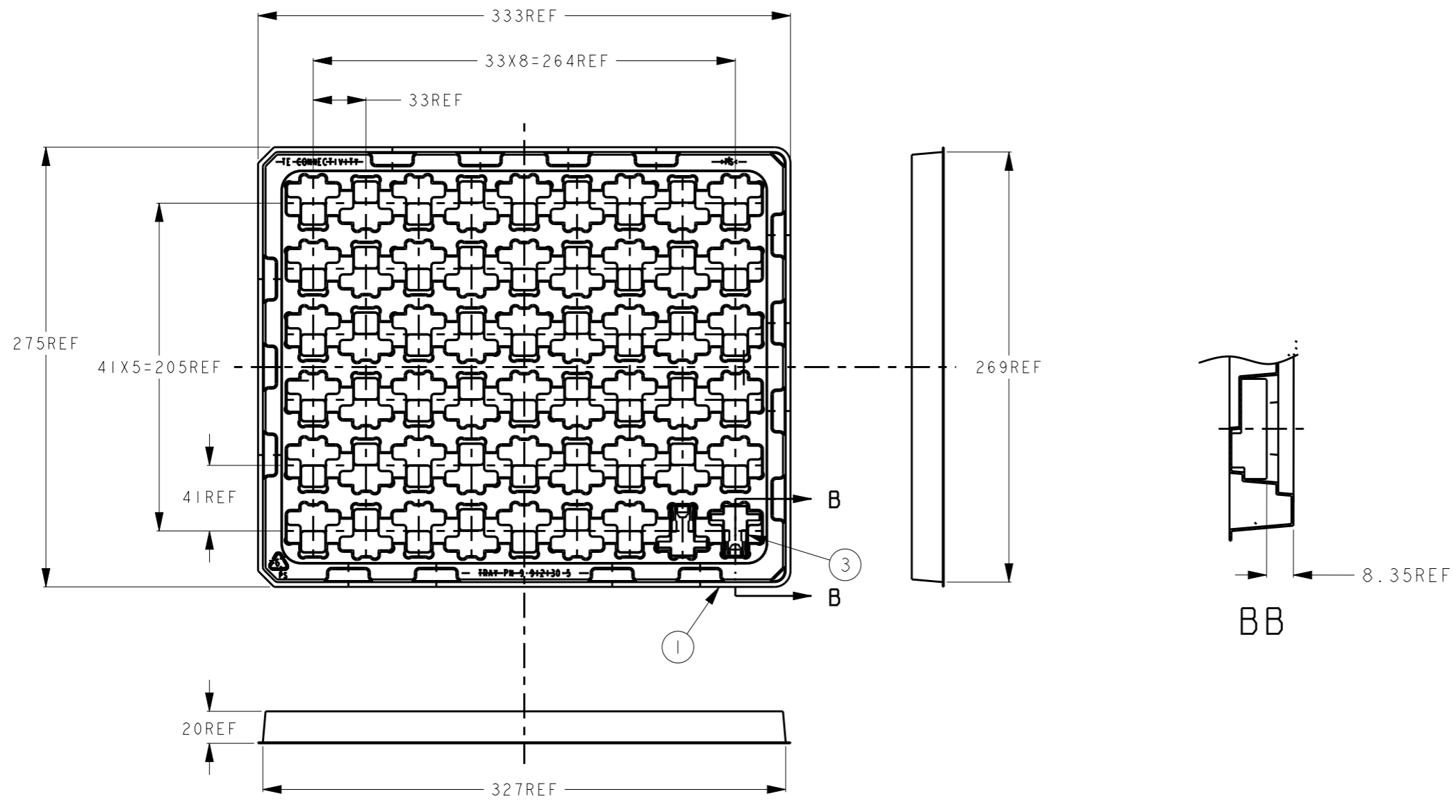
20

© COPYRIGHT 20 BY -

ALL RIGHTS RESERVED.

REVISIONS

P	LTR	DESCRIPTION	DATE	DWN	APVD
-	-	SEE SHEET 1	-	-	-



2-2299960-1: AS SHOWN
PANEL MOUNT TYPE

THIS DRAWING IS A CONTROLLED DOCUMENT.

DIMENSIONS: mm	TOLERANCES UNLESS OTHERWISE SPECIFIED: ± 0.5
	0 PLC ±
	1 PLC ±
	2 PLC ±
	3 PLC ±
	4 PLC ±
	ANGLES ±5°
MATERIAL 	FINISH

DWN
CHK
APVD
PRODUCT SPEC
APPLICATION SPEC
WEIGHT
CUSTOMER DRAWING

STE TE Connectivity

NAME
TRAY PACKAGE.
THERMOCOUPLE CONNECTOR K-TYPE 2POS
TAB ASSEMBLY

SIZE	CAGE CODE	DRAWING NO	RESTRICTED TO
A3	00779	C-2299960	-

SCALE NTS SHEET 4 OF 4 REV A2