

Distributed by:

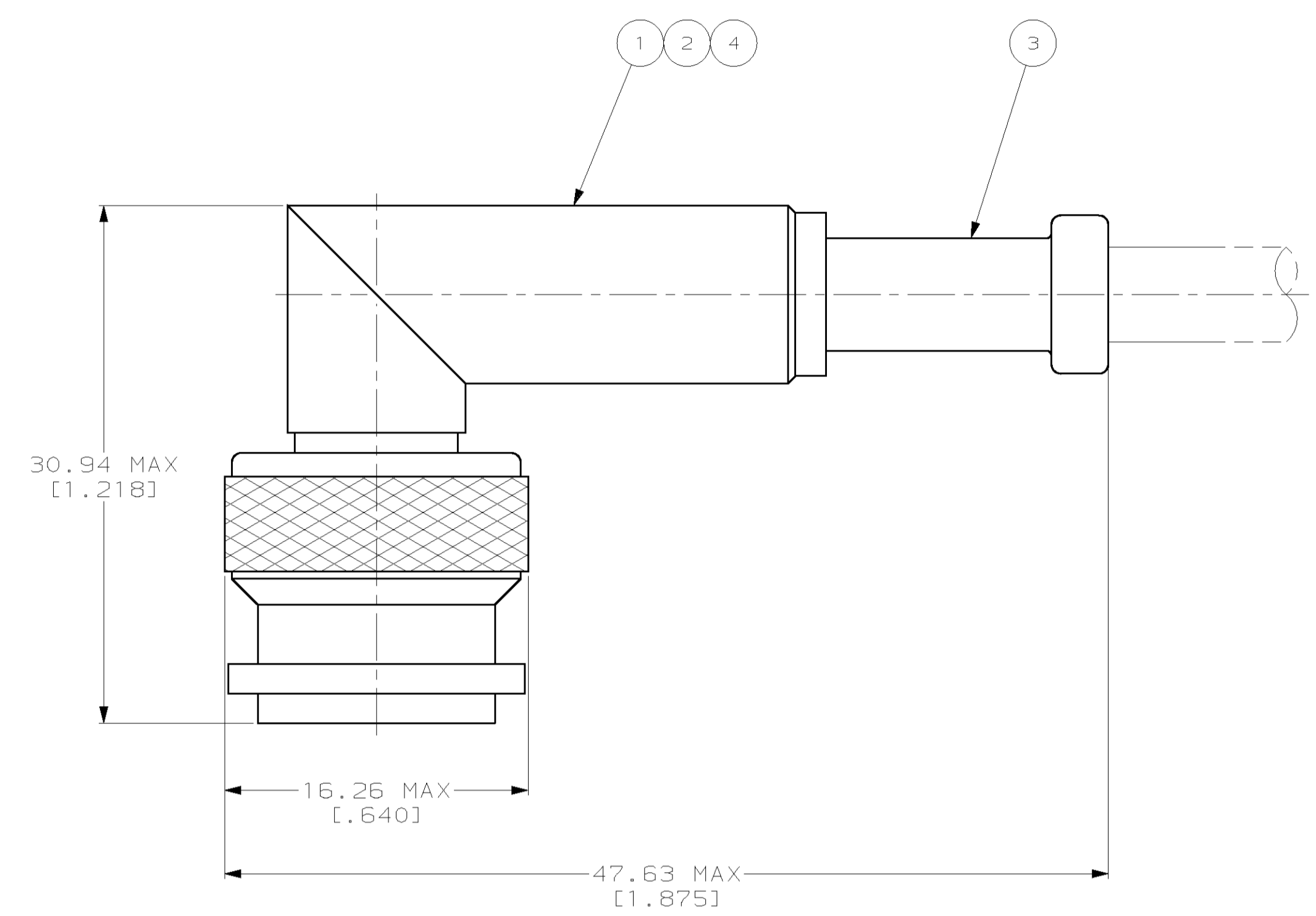
JAMECO[®]
ELECTRONICS

www.Jameco.com ♦ 1-800-831-4242

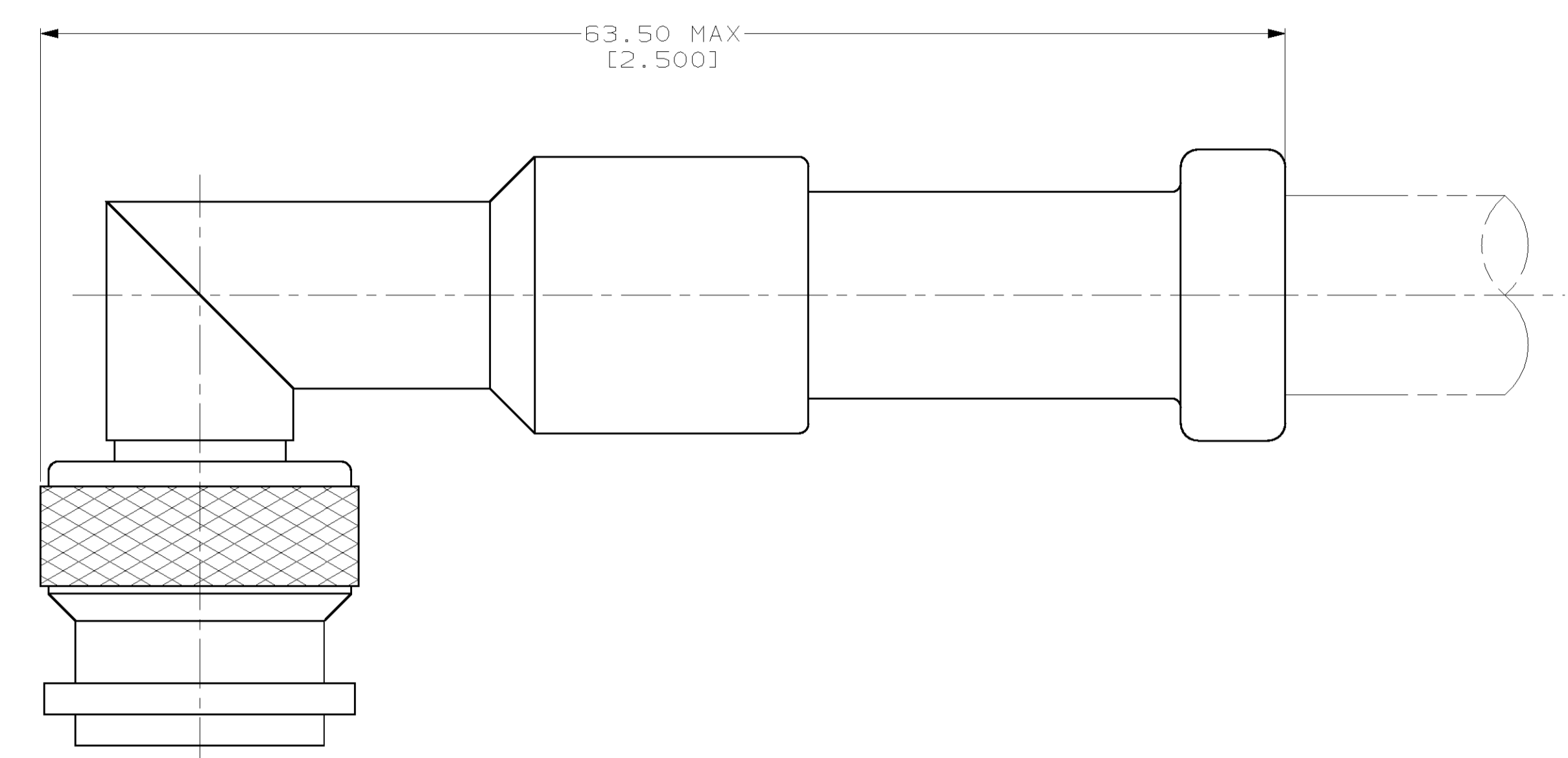
The content and copyrights of the attached
material are the property of its owner.

Jameco Part Number 840384

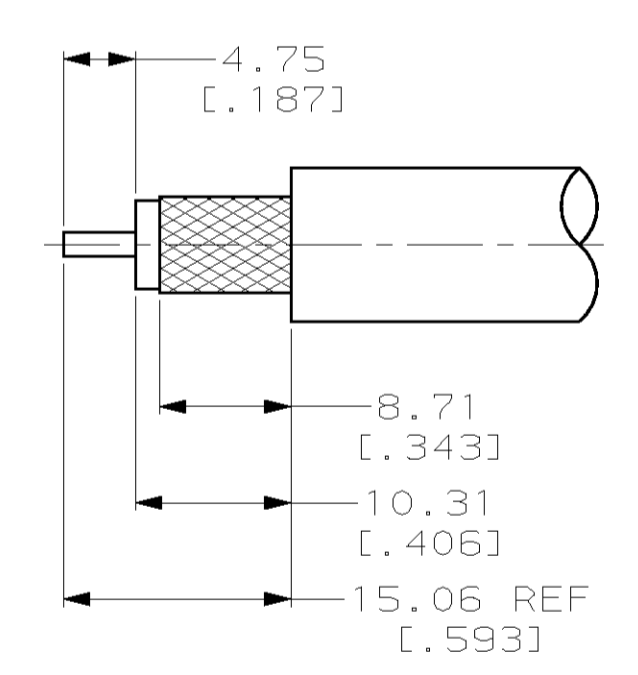
1. USE INSTRUCTION SHEET 2299-5



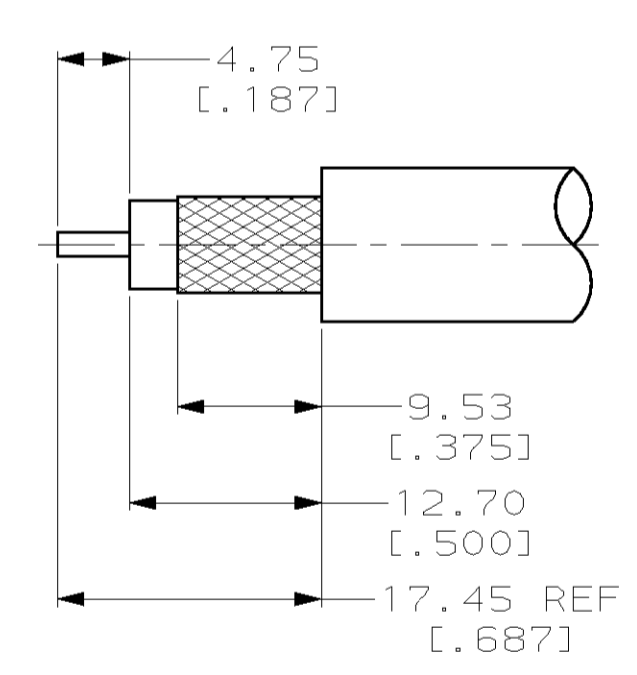
VIEW A



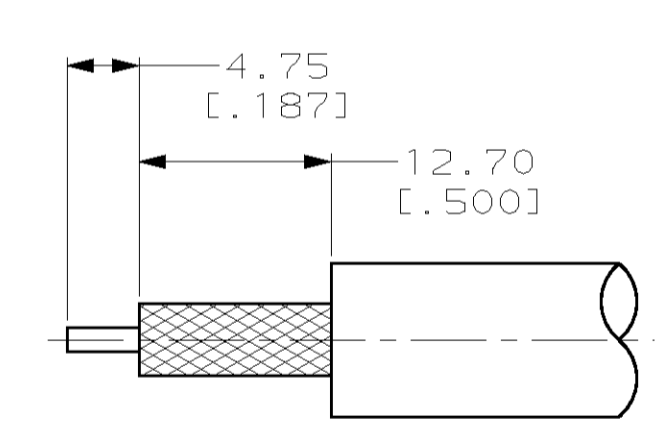
VIEW B
 SAME AS VIEW A, EXCEPT AS SHOWN



RECOMMENDED STRIP LENGTH
 NO SCALE
 FOR 225554-2 AND 225554-6



RECOMMENDED STRIP LENGTH
 NO SCALE
 FOR 1-225554-2



RECOMMENDED STRIP LENGTH
 NO SCALE
 FOR 225554-9 AND 1-225554-1

SUPERSEDED BY 225554-6	RG-142/U, 142A/U, 142B/U	-	225592-2	225560-1	225471-3	225518-1	-	7-225554-6
OBSOLETE	RG-59B/U & 62B/U	-	225592-3	225560-3	225471-2	225518-2	-	7-225554-3
SUPERSEDED BY 225554-2	RG-58A/U, 58C/U	-	225592-1	225560-2	225471-1	225518-1	-	7-225554-2
OBSOLETE	BXS-7004-501	-	225592-6	225612-4	225599-1	225518-6	-	1-225554-6
OBSOLETE	MICRO-DOT 250-4172, 250-4208 (BXS-704-502)	220015-3	-	225612-2	225599-1	225518-5	-	1-225554-2
	RG-393/U	220015-1	332022	225490-1	225471-7	225518-3	B	1-225554-1
	RG-9/U, 9A/U & 214/U	220015-1	332022	331987	225599-1	225518-3	B	225554-9
OBSOLETE	RG-225/U	-	332022	331987	225471-7	225518-3	-	225554-7
	RG-142/U, 142A/U, 142B/U	220045-2	-	225560-1	225471-3	3-225518-1	A	225554-6
	RG-58A/U, 58C/U	220045-2	-	225560-2	225471-1	2-225518-1	A	225554-2
	RG-55/U, 55A/U, 55B/U & 223/U	220045-2	225592-2	225560-1	225471-1	225518-1	A	225554-1

CABLE	CRIMP TOOL	④	SEAL	③	FERRULE	②	CONTACT	①	PLUG ASSEMBLY	VIEW	PART NUMBER
			QTY=1		QTY=1		QTY=1		QTY=1		

THIS DRAWING IS A CONTROLLED DOCUMENT.

DIMENSIONS: mm (INCHES)	TOLERANCES UNLESS OTHERWISE SPECIFIED:	DATE	BY	APPROV
0 PLC ±0.0125	1 PLC ±0.0125	11FEB99	MICHAEL E. COWHER	
2 PLC ±0.0125	3 PLC ±0.0125		FRANK P. MORANA	
4 PLC ±0.0125	ANGLES ±0.0125		FRANK P. MORANA	
MATERIAL	FINISH	PRODUCT SPEC	AMP Incorporated Harrisburg, PA 17105-3608	
		108-12001	NAME PLUG, RIGHT ANGLE, WEATHERPROOF, TNC	
		APPLICATION SPEC	SIZE	CAGE CODE
			A1	00779
		WEIGHT	DRAWING NO C-225554	
			SCALE	SHEET
			4:1	1 OF 1
		CUSTOMER DRAWING		REV
				M