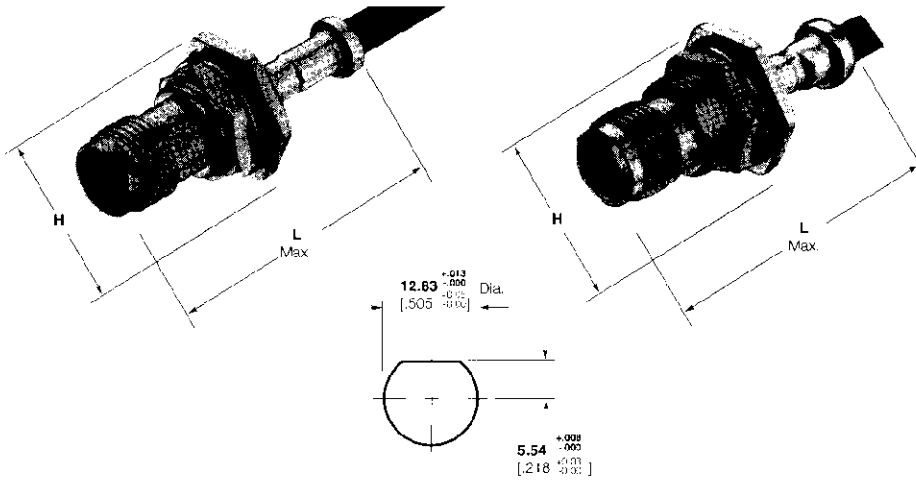


TNC Connectors, 50 Ohm (Continued)

Bulkhead Jacks, Crimp

Single Crimp

O Crimp



Maximum Panel Thickness Single Crimp **3.18** [.125]
Dual Crimp **6.35** [.250]

Recommended Panel Cutout

H = 11/16 [.6875] max. across flats **20.32** [.800] max. across points.

| RG/U Cable | Termination Type | Center Contact Plating | Body Plating | Dielectric | Style | Comments | Dim. L | CERTI-CRIMP Hand Tool with Integral Die | Interchangeable Dies for PRO-CRIMPER Hand Tool 354940-1 or PRO-CRIMPER Adapter 679304-1 | Part No. |
|---|------------------|------------------------|--------------|------------------------|------------|--------------|-----------------------|---|---|-----------------|
| 174, 174A, 316 188, 188A | O Crimp | Gold | Nicke | Polymethyl- pentene | Commercial | — | 34.93 1.375 | — | 318450-2 | 414168-3 |
| 179, 179A, 179B 161, 187, 187A Belden 9221 | Single Crimp | Gold | Nicke | TEFLON | Mil Type | — | 38.1 1.500 | 69245-1 | — | 331238 |
| RD 188, 316 Double Braid | O Crimp | Gold | Nicke | Polymethyl- pentene | Commercial | — | 34.93 1.375 | — | 58539- | 414168-4 |
| 58, 58A 58B, 58C | O Crimp | Gold | Nicke | TEFLON | Mil Type | Weatherproof | 38.1 1.500 | 220345-2 | — | 225557-2 |
| 58, 58A, 58B, 58C 141, 141A, 303 | O Crimp | Gold | Nicke | Polymethyl- pentene | Commercial | — | 34.93 1.375 | — | 220189-1 | 414168-1 |
| 223 55, 55A, 55B | O Crimp | Gold | Nicke | Polymethyl- pentene | Commercial | — | 34.93 1.375 | — | 220189-1 | 414168-6 |
| 142, 142A 142B, 400 | O Crimp | Gold | Nickel | Polymethyl- pentene | Commercial | — | 34.93 1.375 | — | 220189-1 | 414168-5 |
| | O Crimp | Gold | Nickel | TEFLON | Mil Type | Weatherproof | 38.1 1.500 | 220045-2 | — | 225557-6 |
| 120, 140, 210, 62, 32A, 323, 59, 59A, 59B, Belden 9291, 3209, 9269 | O Crimp | Gold | Nickel | Polymethyl- pentene | Commercial | — | 34.93 1.375 | — | 220189-2 | 414168-2 |