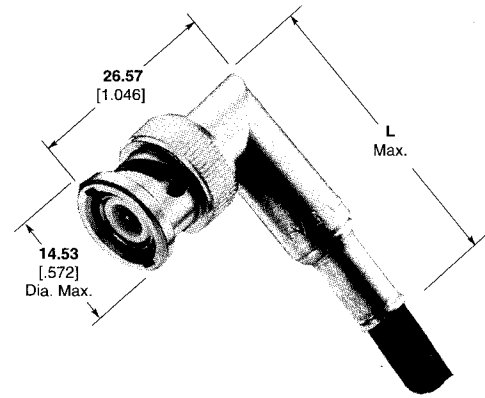
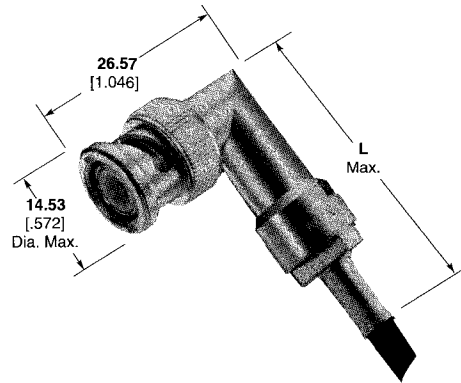


BNC Connectors, 50 Ohm (Continued)

Right Angle Plugs, Crimp

Single Crimp

Hex and O Crimp



RG/U Cable	Termination Type	Center Contact Plating	Body Plating	Dielectric	Style	Dim. L	CERTI-CRIMP Hand Tool with Integral Die	Interchangeable Dies for PRO-CRIMPER Hand Tool 354940-1 or PRO-CRIMPER Adapter 679304-1	Interchangeable Dies for Hand Tool 69710-1 & 626 Pneu. Head 318161-1	Part No.
174, 188, 188A, 316	Hex Crimp	Gold	Nickel	Polymethyl-pentene	Commercial	39.45 1.553	—	58436-3	—	413959-3
	Single Crimp	Gold	Silver	TEFLON	Mil Type	44.45 1.750	69245-1	—	69422	331178
179, 179A, 179B, 161, 187, 187A, Belden 9221	Hex Crimp	Gold	Nickel	Polymethyl-pentene	Commercial	39.45 1.553	—	58436-3	—	413959-4
RD 316	Hex Crimp	Gold	Nickel	—	—	39.45 1.553	—	—	220026-1	413959-7
180, 180A, 180B, 195, 195A	Hex Crimp	Gold	Nickel	Polymethyl-pentene	Commercial	39.45 1.553	—	58436-3	—	413959-5
Belden 9907, 89907, 8219, Comm/Scope 2104, 3104	Hex Crimp	Gold	Nickel	Polymethyl-pentene	Commercial	39.45 1.553	—	58436-1	—	413959-6
58, 58A, 58B, 58C	Hex Crimp	Gold	Nickel	Polymethyl-pentene	Commercial	39.45 1.553	—	58436-1	—	413959-1
	O Crimp	Gold	Nickel	TEFLON	Mil Type	37.29 1.468	69478-1	220189-3	69727-1	225974-1
	Single Crimp	Gold	Silver	TEFLON	Mil Type	44.45 1.750	69140-1	—	69223-1	331175
55, 55A, 55B, 223	O Crimp	Gold	Nickel	TEFLON	Mil Type	37.29 1.468	69478-1	220189-3	69727-1	225974-2
	Single Crimp	Gold	Silver	TEFLON	Mil Type	44.45 1.750	69140-2	—	69429-1	331182
142, 142A, 142B, 400	O Crimp	Gold	Silver	TEFLON	Mil Type	37.29 1.468	69478-1	220189-3	69727-1	225973-4
	Single Crimp	Gold	Silver	TEFLON	Mil Type	44.45 1.750	69331-1	—	69429-1	331182
124, 140, 210, 62, 62A, 62B, 59, 59A, 59B, Belden 9291, 9209, 9269	Hex Crimp	Gold	Nickel	Polymethyl-pentene	Commercial	39.45 1.553	—	58436-1	—	413959-2
	O Crimp	Gold	Nickel	TEFLON	Mil Type	37.29 1.468	69477-1	58537-1	69669-1	225974-5