

Distributed by:

**JAMECO**<sup>®</sup>  
ELECTRONICS

**www.Jameco.com ♦ 1-800-831-4242**

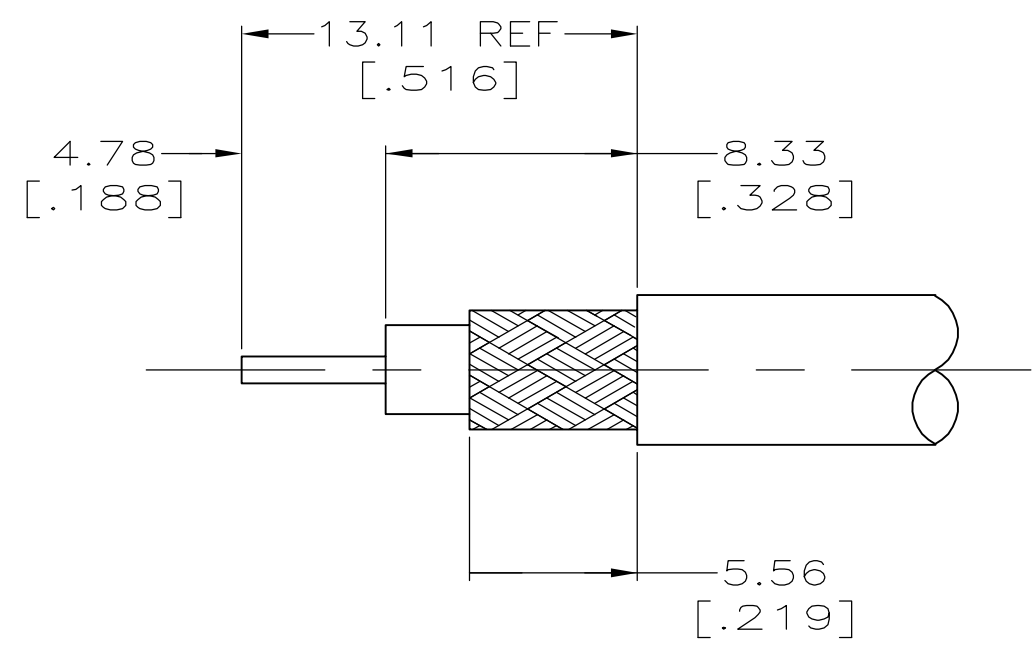
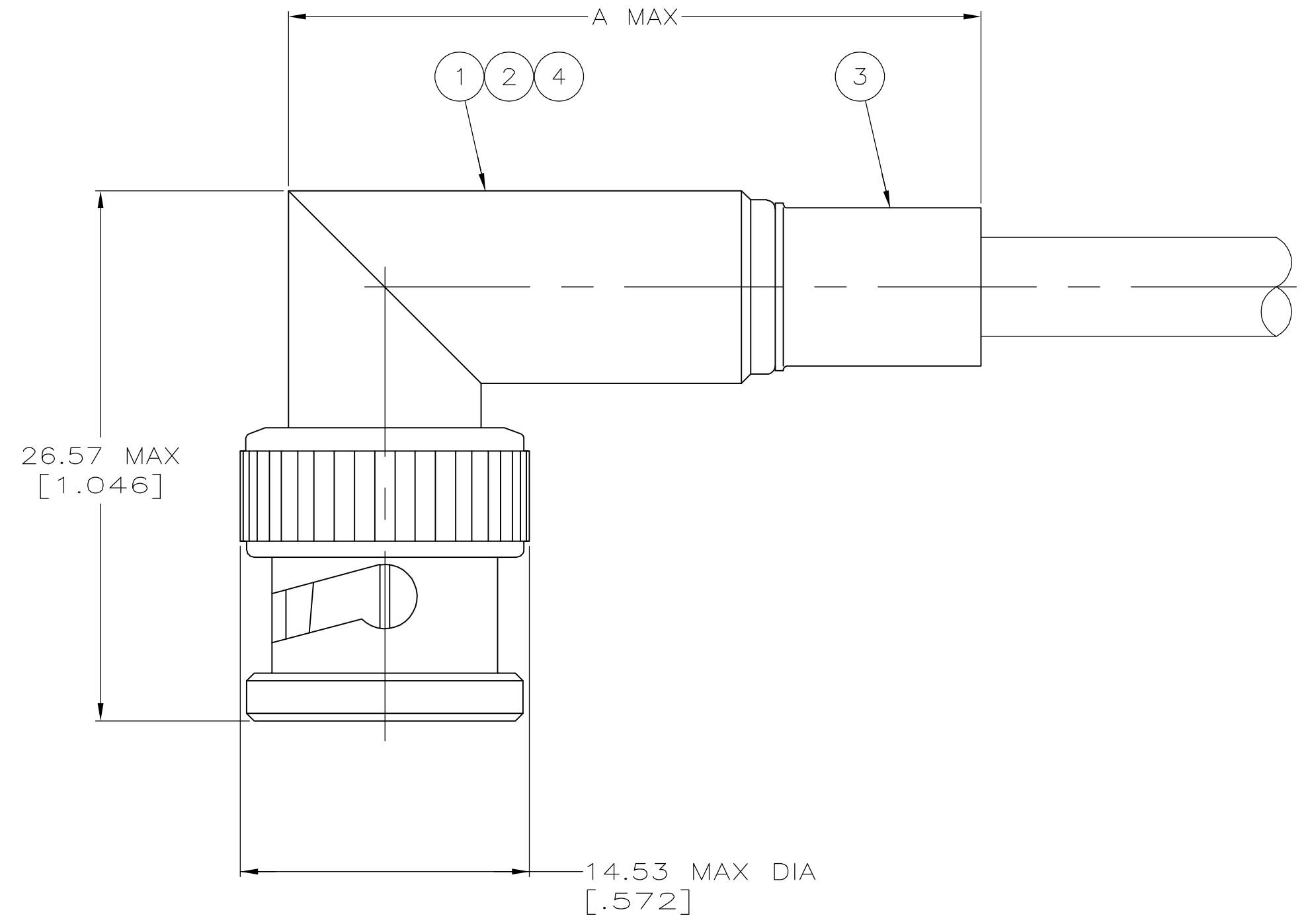
The content and copyrights of the attached  
material are the property of its owner.

Jameco Part Number 750514

THIS DRAWING IS UNPUBLISHED. RELEASED FOR PUBLICATION  
 © COPYRIGHT BY TYCO ELECTRONICS CORPORATION. ALL RIGHTS RESERVED.

LOC	DIST	REVISIONS					
AJ	16	P	LTR	DESCRIPTION	DATE	DWN	APVD
		P		REVISED PER EC OS14-0158-05	25JULY05	BM	JL

- ① RG-58/U, RG-58A/U, RG-58B/U, & RG-58C/U
  - ② RG-55/U, RG-55A/U, RG-55B/U, & RG-223/U
  - ③ RG-59/U, RG-59A/U, RG-59B/U, RG-62/U, RG-62A/U, & RG-62B/U
  - ④ BELDEN YR-14041 (223 SPECIAL)
  - ⑤ BELDEN 88240, HI-TEMP RG-58C/U, & BERK TEK BDTK 58
  - ⑥ RG-188/U, 316 TYPE, DOUBLE BRAIDED CABLE
7. SEE I.S. 1914-5



RECOMMENDED STRIP LENGTH

SUPERSEDED BY 225974-1  
 OBSOLETE

①	69478-1	39.12 [1.540]	-	9-225381-0	1-331369-6	225975-3	9-225974-0
⑥	220009-1	37.29 [1.468]	227194-1	9-329049-0	1-331368-2	225975-6	1-225974-1
⑤	69478-1	39.12 [1.540]	-	9-228783-0	1-331369-6	225975-3	1-225974-0
④	69478-1	39.12 [1.540]	-	9-225382-0	331369	225975-5	225974-7
③	69477-1	37.29 [1.468]	-	9-50428-0	2-331368-3	225975-4	225974-5
②	69478-1	39.12 [1.540]	-	9-225382-0	1-331369-6	225975-3	225974-2
①	69478-1	39.12 [1.540]	-	9-225381-0	1-331369-6	225975-3	225974-1
CABLE SIZE	HAND TOOL	A	④ TUBING QTY=1	③ FERRULE QTY=1	② CONTACT QTY=1	① PLUG ASSY QTY=1	PART NUMBER

THIS DRAWING IS A CONTROLLED DOCUMENT.

DWN	J. LIPPERT	12-12-90
CHK	M. PHILLIPS	1-18-91
APVD	M. PHILLIPS	1-18-91

PRODUCT SPEC: 108-12020  
 APPLICATION SPEC: -

NAME: PLUG, RIGHT ANGLE, DUAL CRIMP, BNC

SIZE: A2 CAGE CODE: 00779 DRAWING NO: C=225974 RESTRICTED TO: -

WEIGHT: - SCALE: 4:1 SHEET: 1 OF 1 REV: P

CUSTOMER DRAWING