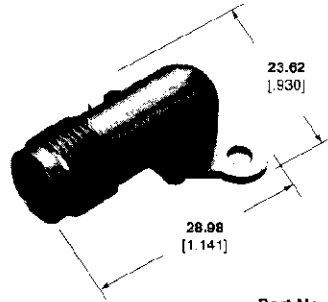


**TNC Connectors, 50 Ohm (Continued)**

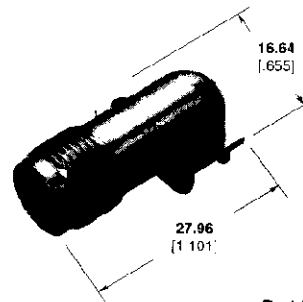
**Right Angle  
 PC Board/Mount  
 Jacks**

**Plating**

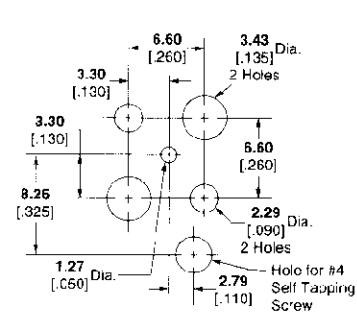
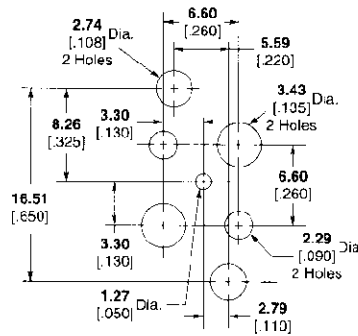
**Body** — Nickel  
**Center Contact** — Gold  
**Dielectric** — TEFLON



**Part No. 413933-1**



**Part No. 414449-1**

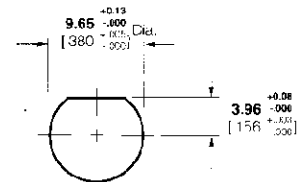
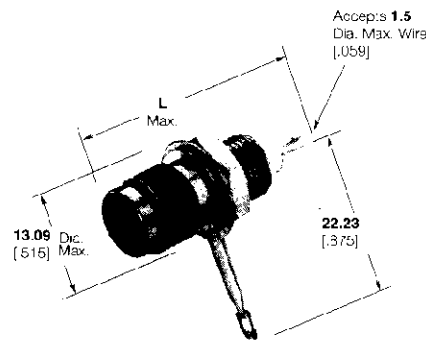
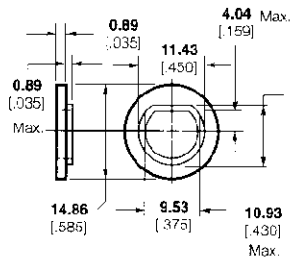


**Recommended PC Board Cutouts**

**Bulkhead Solder Jacks**

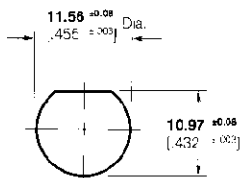
**Insulation Bushing**

**Material** — Nylon  
**Part No.** 227223-1



**Recommended  
 Panel Cutout  
 (Jack)**

Panel Thickness Refer to chart below.



**Recommended  
 Panel Cutout  
 (Bushing)**

Body Plating	Center Contact Plating	Dielectric	Dim. L	Panel Thickness	Part Numbers	
					With Solder Terminal	Without Solder Terminal
Nickel	Gold	VALOX	26.93 1.060	1.02-3.96 .040-156	227760-2	227758-2
Nickel	Gold	VALOX	33.33 1.312	1.17-6.35 .046-250	227762-2	227764-2