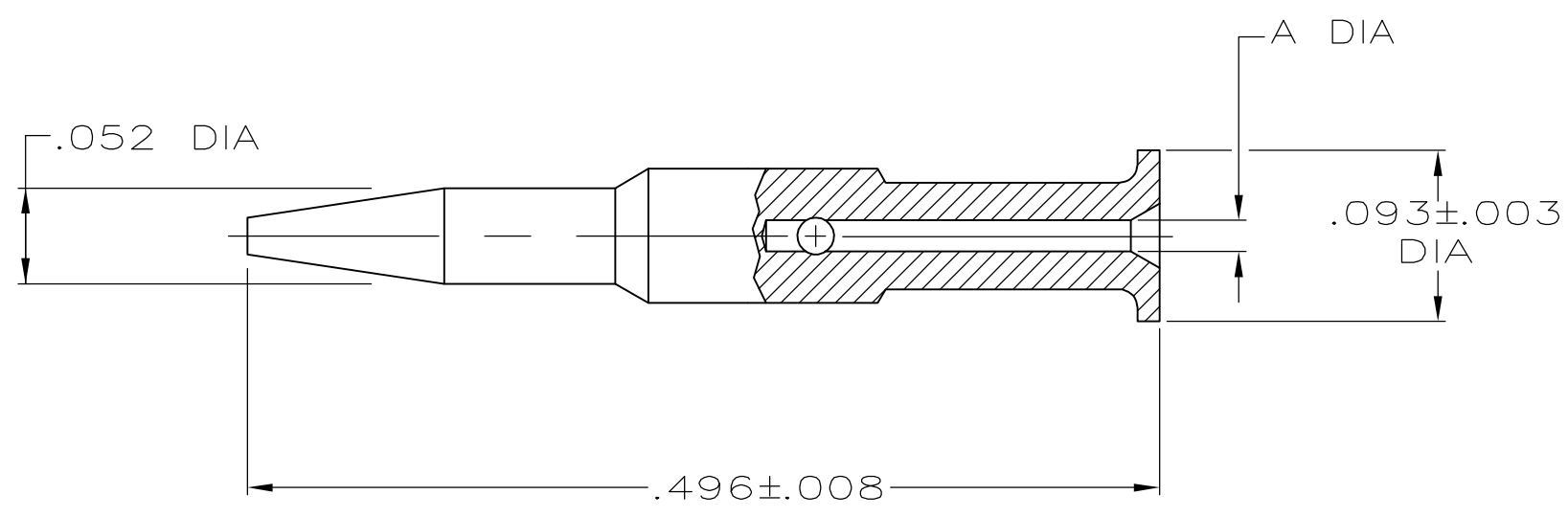


THIS DRAWING IS UNPUBLISHED. RELEASED FOR PUBLICATION
 © COPYRIGHT - BY TYCO ELECTRONICS CORPORATION. ALL RIGHTS RESERVED.

LOC	DIST	REVISIONS			
P	LTR	DESCRIPTION	DATE	DWN	APVD
AJ	16	G	REVISED PER EC OS14-0449-04	03JAN05	BM JL

- 1 BRASS PER QQ-B-626
- 2 TIN PLATE PER ASTM-B-545
- 3 SILVER PLATE PER QQ-S-365
- 4 PLATED WITH .000030 GOLD ASTM-B488 OVER .000030 NICKEL QQ-N-290



	.015	2	9-227322-1
	.024	2	9-227322-0
	.018	4	1-227322-4
	.024	4	227322-8
OBSOLETE	.024	3	227322-7
	.024	2	227322-6
	.015	4	227322-4
OBSOLETE	.015	3	227322-3
	.015	2	227322-2
	A	FINISH	PART #

THIS DRAWING IS A CONTROLLED DOCUMENT.		DWN M. SNEED 6-4-90	Tyco Electronics Corporation Harrisburg, Pa 17105-3608	
DIMENSIONS: INCHES		CHK D.LAMAN 7-6-90		
TOLERANCES UNLESS OTHERWISE SPECIFIED:		APVD D. LAMAN 7-9-90	NAME CONTACT, SERIES BNC	
0 PLC ± - 1 PLC ± - 2 PLC ± - 3 PLC ± .002 4 PLC ± - ANGLES ± -		PRODUCT SPEC D.LAMAN	7-9-90	
MATERIAL 1	FINISH SEE TABLE	APPLICATION SPEC -	SIZE A3	CAGE CODE 00779
		WEIGHT -	DRAWING NO G-227322	RESTRICTED TO -
CUSTOMER DRAWING			SCALE 10:1	SHEET 1 OF 1
			REV G	