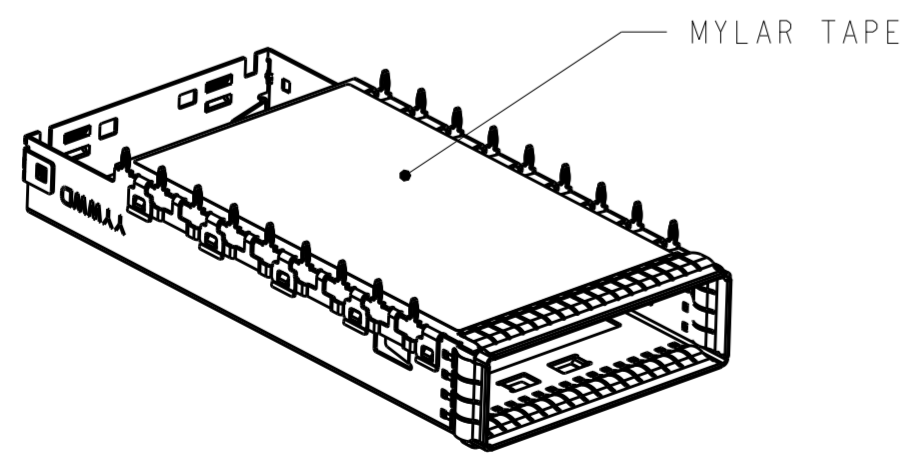
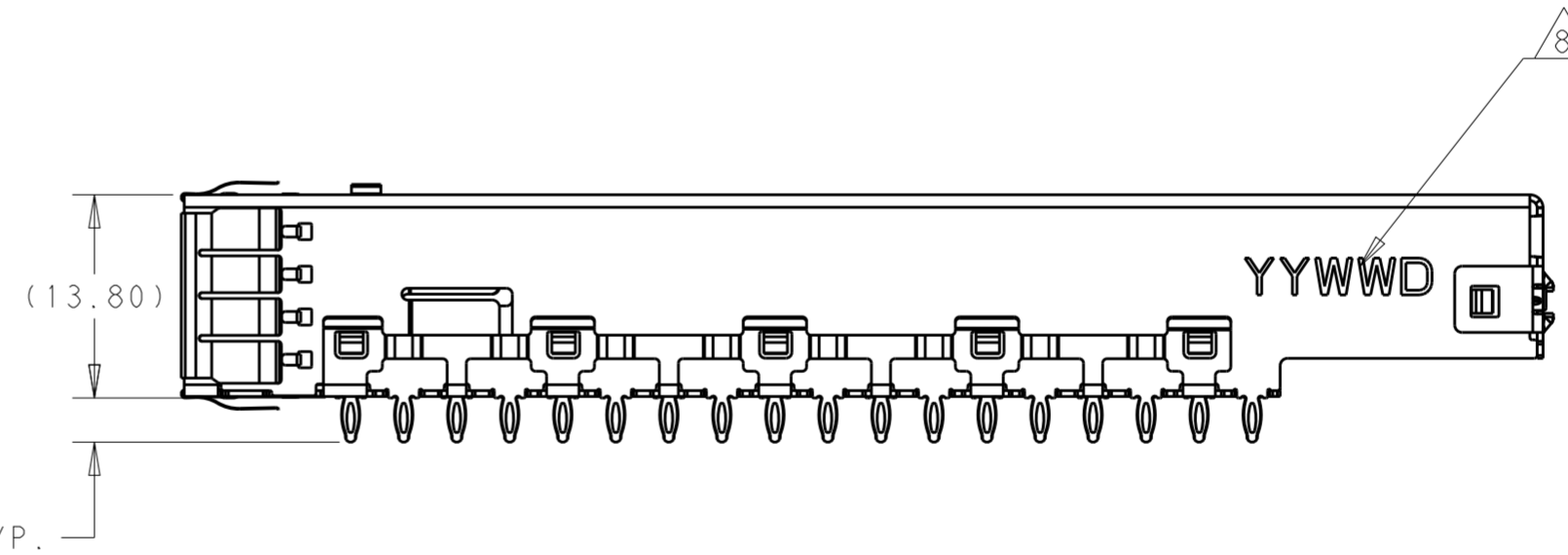
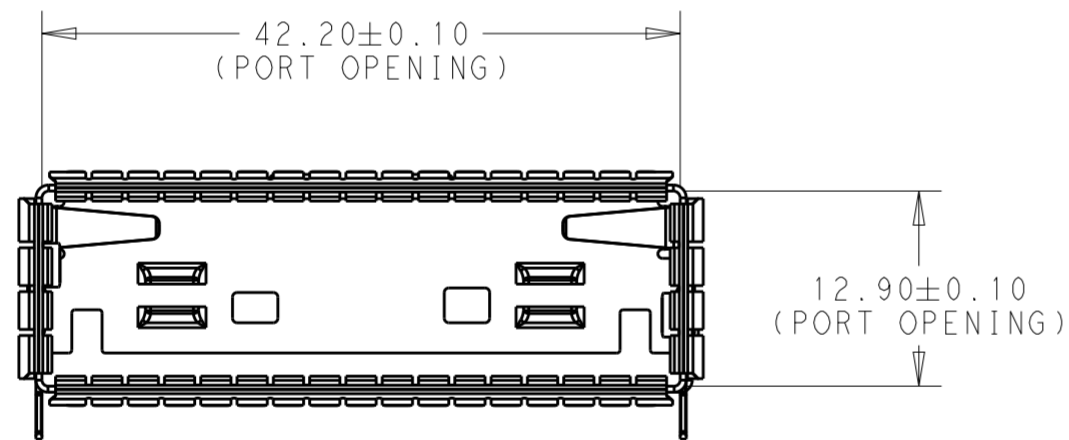
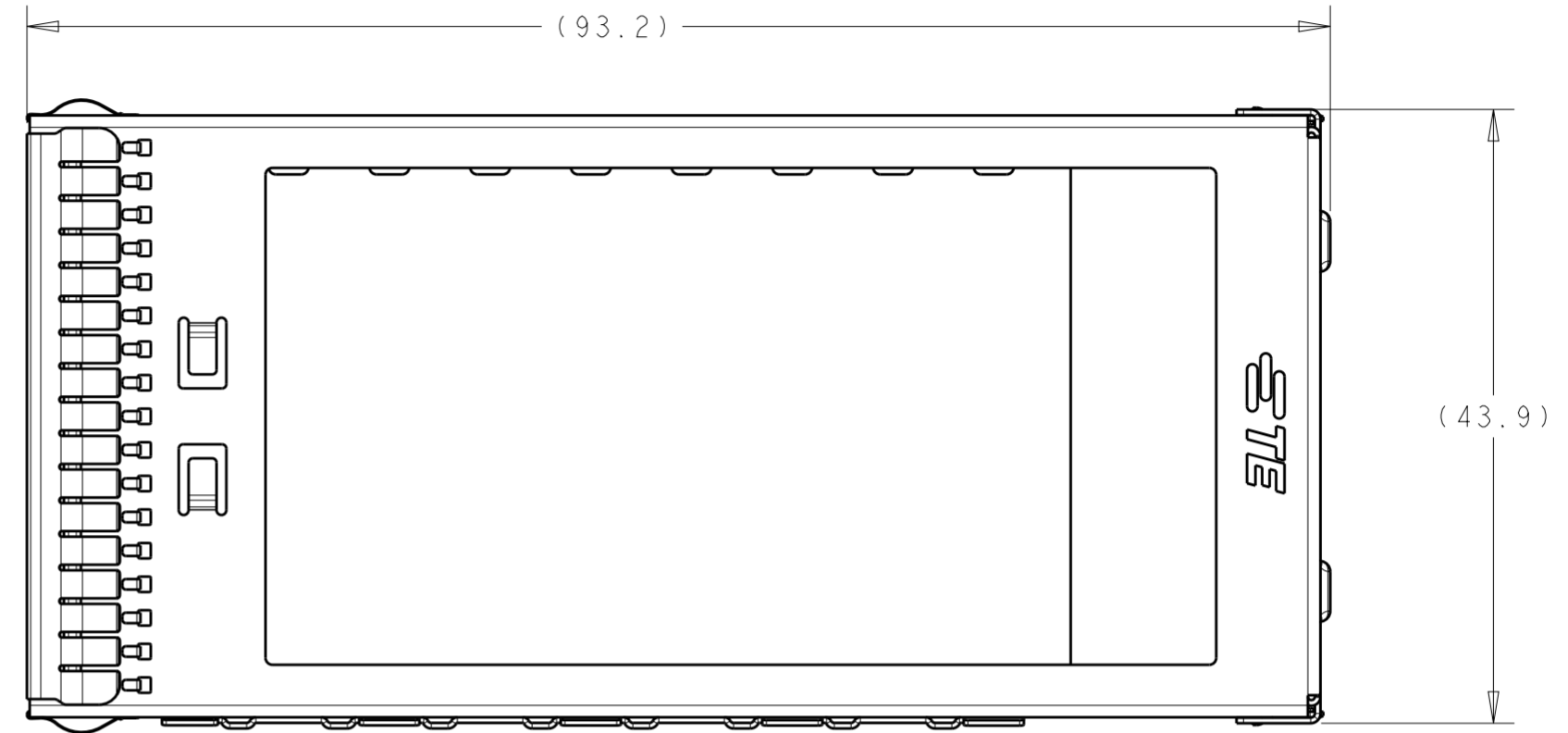


THIS DRAWING IS UNPUBLISHED. RELEASED FOR PUBLICATION 20  
 © COPYRIGHT 20 BY - ALL RIGHTS RESERVED.

REVISIONS				
P	LTR	DESCRIPTION	DATE	APVD
1		PRELIMINARY DRAWING	30MAY2016	AD SH
2		ADD DASH NUMBER	18AUG2016	AD SH
3		ADD PART WIHT MYLAR	14SEP2016	AD SH

- 1 MATERIAL .CAGE -0.4MM THICK NICKEL SIVLER AOOLY.  
EMI SPRING: COPPER ALLOY;
- 2 .FINISH: EMI SPRING :1.27um NICKEL PALTING OVER ALL;
- 3.MATES WITH CFP MSA COMPLIANT TRANSCEIVERS.
- 4.DATUM AND BASIC DIMENSION ESTABLISHED BY CUSTOMER.
- 5.MINIMUM PC BOARD THICKNESS: SIGLE SIDE APPLICATIONS=2.99±0.10mm.  
BELLY TO BELLY APPLICATION: 3.0mm MIN.
- 6.PADS AND VIAS CHASSIS GROUND;
- 7:REFERENCE APPLICATION SOEC 114-32146,HOLE A, FOR  
RECOMMENDED DRILL HOLE DIAMETER AND PLATING THICKNESS.
- 8: DATE CODE MARKED IN APPROXIMATE AREA.



THIS PRINT IS  
**PRELIMINARY**  
 UNQUALIFIED PRODUCT  
 CONTACT PRODUCT ENGINEERING  
 BEFORE USING THIS PRINT

WITH	2274843-4
WITHOUT	2274843-2
MYLAR TAPE	PART NUMBER

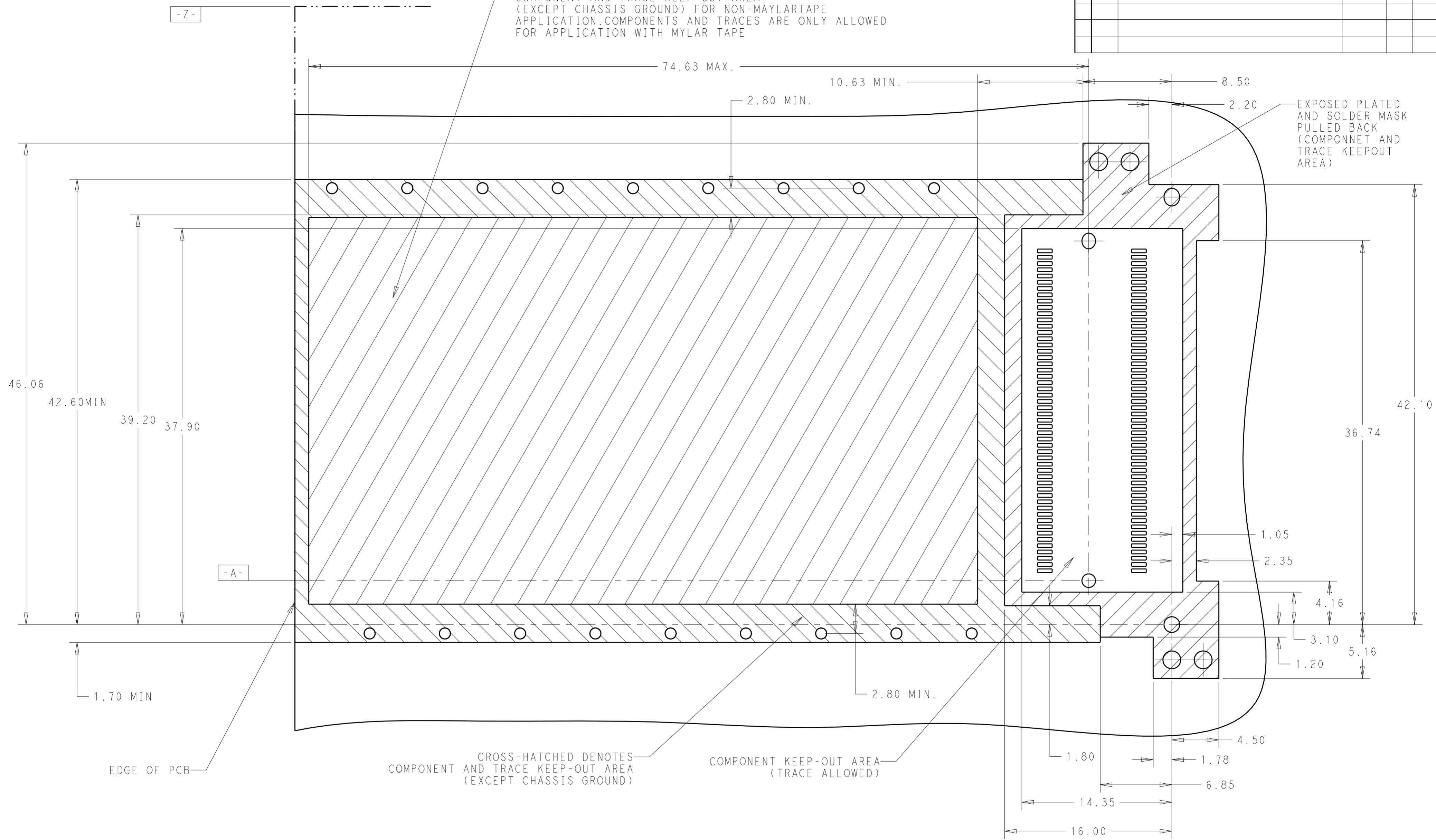
THIS DRAWING IS A CONTROLLED DOCUMENT.		DWN ANDY.XIF 30MAY2016																		
DIMENSIONS:		CHK SEAN.HAN 30MAY2016																		
TOLERANCES UNLESS OTHERWISE SPECIFIED:		APVD SEAN.HAN 30MAY2016																		
mm		NAME CAGE ASSEMBLY, CFP2 1X1 PRESS FIT, EMI SPRING																		
<table border="1"> <tr> <td>0 PLC</td> <td>±</td> </tr> <tr> <td>1 PLC</td> <td>±0.25</td> </tr> <tr> <td>2 PLC</td> <td>±0.15</td> </tr> <tr> <td>3 PLC</td> <td>±0.10</td> </tr> <tr> <td>4 PLC</td> <td>±0.0001</td> </tr> <tr> <td>ANGLES</td> <td>±</td> </tr> <tr> <td>FINISH</td> <td>-</td> </tr> </table>		0 PLC	±	1 PLC	±0.25	2 PLC	±0.15	3 PLC	±0.10	4 PLC	±0.0001	ANGLES	±	FINISH	-	PRODUCT SPEC 108-32103	SIZE A2	CAGE CODE -	DRAWING NO. C-2274843	RESTRICTED TO -
0 PLC	±																			
1 PLC	±0.25																			
2 PLC	±0.15																			
3 PLC	±0.10																			
4 PLC	±0.0001																			
ANGLES	±																			
FINISH	-																			
MATERIAL -		APPLICATION SPEC 114-32146	WEIGHT -	SCALE 1:1	SHEET 1 OF 4	REV 3														
-		CUSTOMER DRAWING																		



THIS DRAWING IS UNPUBLISHED. RELEASED FOR PUBLICATION 20  
 © COPYRIGHT 20 BY - ALL RIGHTS RESERVED.

REVISIONS					
P	LTR	DESCRIPTION	DATE	DWN	APVD
-		SEE SHEET 1	-	-	-

CROSS-HATCHED DENOTES COMPONENT AND TRACE KEEP-OUT AREA (EXCEPT CHASSIS GROUND) FOR NON-MAYLARTAPE APPLICATION. COMPONENTS AND TRACES ARE ONLY ALLOWED FOR APPLICATION WITH MYLAR TAPE



EDGE OF PCB

CROSS-HATCHED DENOTES COMPONENT AND TRACE KEEP-OUT AREA (EXCEPT CHASSIS GROUND)

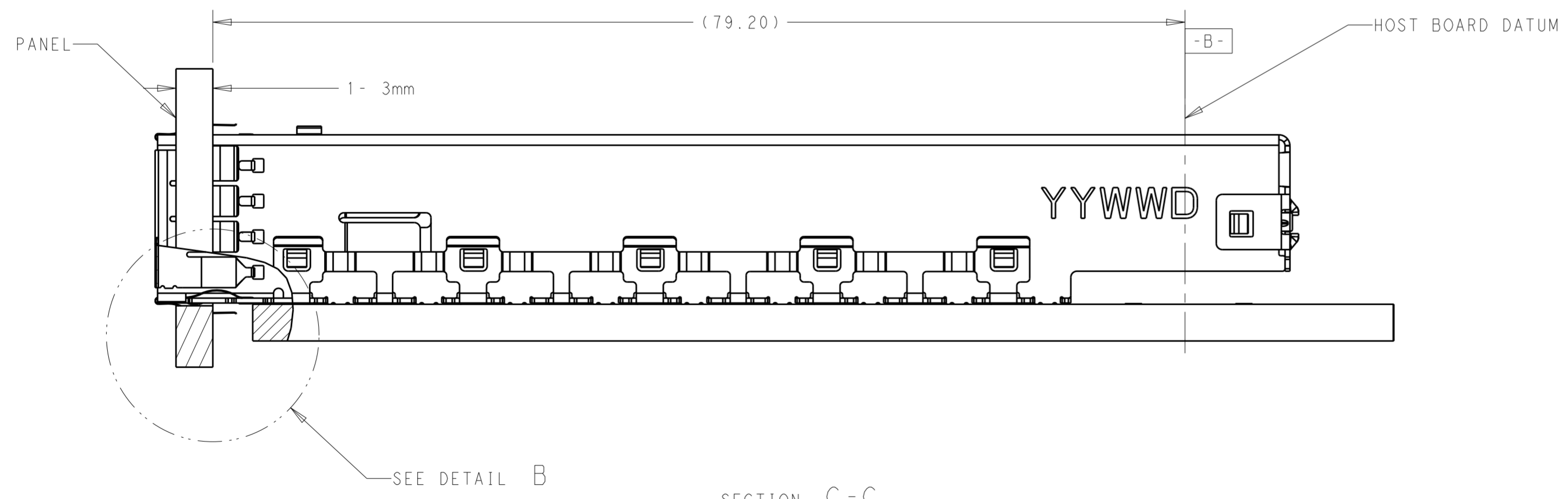
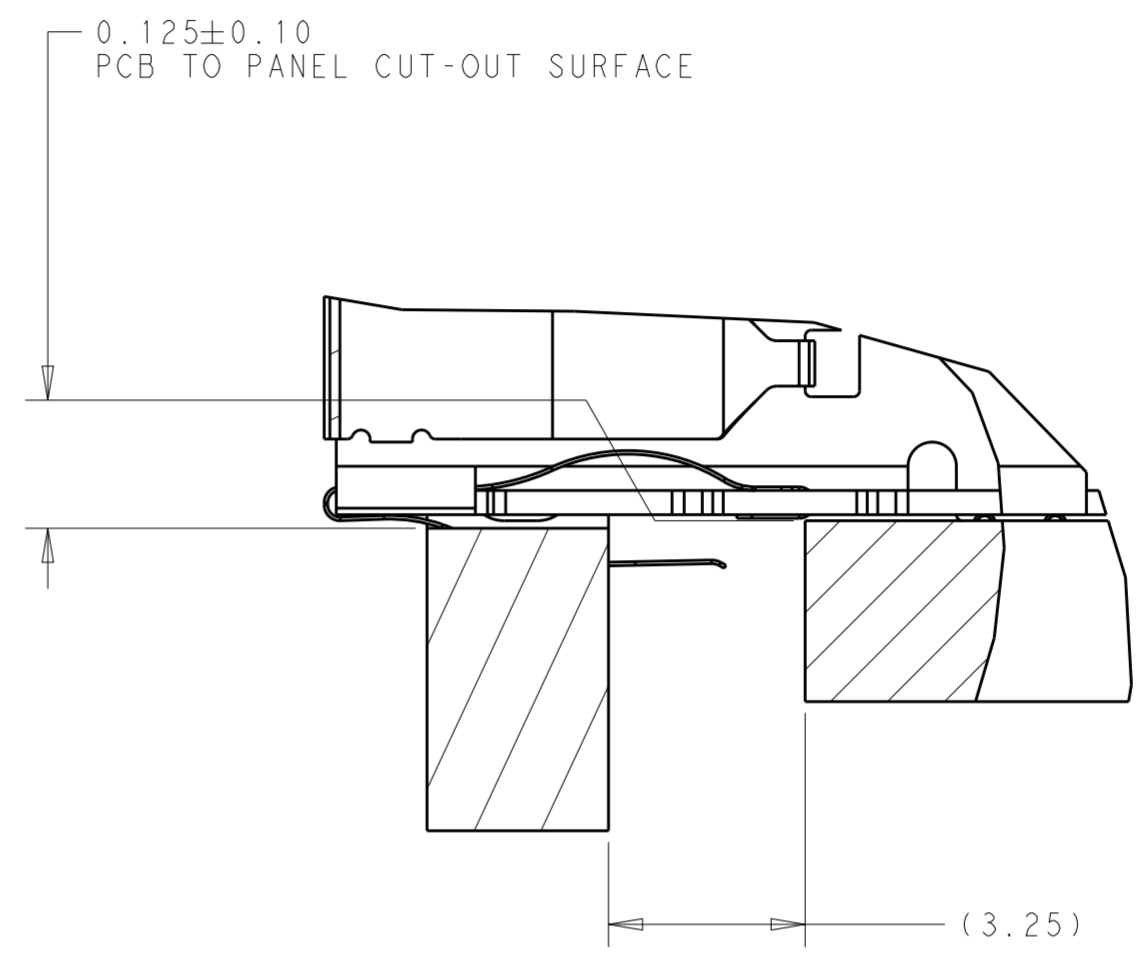
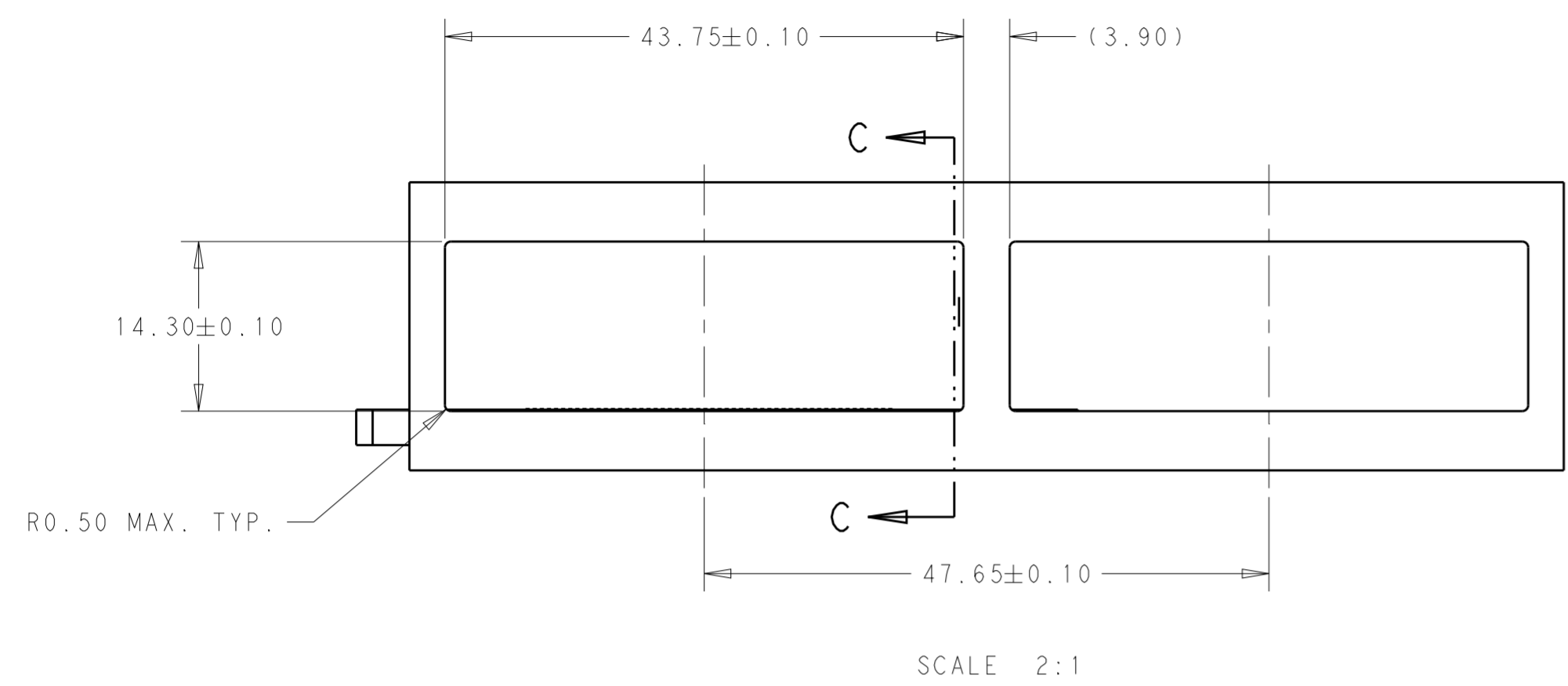
COMPONENT KEEP-OUT AREA (TRACE ALLOWED)

THIS PRINT IS  
**PRELIMINARY**  
 UNQUALIFIED PRODUCT  
 CONTACT PRODUCT ENGINEERING  
 BEFORE USING THIS PRINT

THIS DRAWING IS A CONTROLLED DOCUMENT.		DWN ANDY.XIF 30MAY2016	TE Connectivity	
		CHK SEAN.HAN 30MAY2016		
		APVD SEAN.HAN 30MAY2016	NAME CAGE ASSEMBLY, CFP2 1X1 PRESS FIT, EMI SPRING	
DIMENSIONS: mm		PRODUCT SPEC -	SIZE A2	CAGE CODE -
TOLERANCES UNLESS OTHERWISE SPECIFIED: 0 PLC ±0.10 1 PLC ±0.10 2 PLC ±0.10 3 PLC ±0.10 4 PLC ±0.05 ANGLES ±1 FINISH		APPLICATION SPEC -	DRAWING NO C-2274843	RESTRICTED TO -
MATERIAL SEE NOTES		WEIGHT -	SCALE 1:1	SHEET 3 OF 4
		Customer Drawing		REV 3

THIS DRAWING IS UNPUBLISHED. RELEASED FOR PUBLICATION 20  
 © COPYRIGHT 20 BY - ALL RIGHTS RESERVED.

REVISIONS				
P	LTR	DESCRIPTION	DATE	APVD
-	-	SEE SHEET 1	-	-



THIS PRINT IS  
**PRELIMINARY**  
 UNQUALIFIED PRODUCT  
 CONTACT PRODUCT ENGINEERING  
 BEFORE USING THIS PRINT

THIS DRAWING IS A CONTROLLED DOCUMENT.		DWN ANDY.XIE 30MAY2016	TE Connectivity	
DIMENSIONS: mm		CHK SEAN.HAN 30MAY2016		
TOLERANCES UNLESS OTHERWISE SPECIFIED:		APVD SEAN.HAN 30MAY2016	NAME CAGE ASSEMBLY ,CFP2 1X1 PRESS FIT,EMI SPRING	
0 PLC ± 1 PLC ±0.25 2 PLC ±0.15 3 PLC ±0.1 4 PLC ±		PRODUCT SPEC -	SIZE A2	CAGE CODE -
MATERIAL SEE NOTES		APPLICATION SPEC -	DRAWING NO C-2274843	RESTRICTED TO -
FINISH SEE NOTES		WEIGHT -	SCALE 1:1	SHEET 4 OF 4
-		Customer Drawing	REV 3	