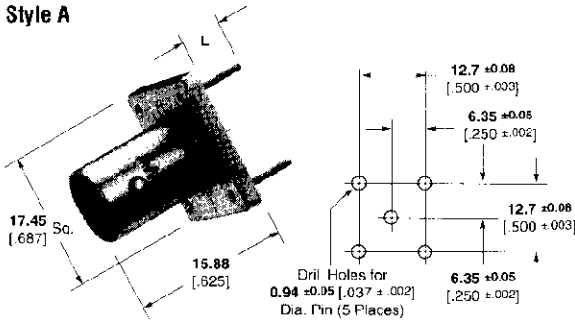


**BNC Connectors, 50 Ohm (Continued)**

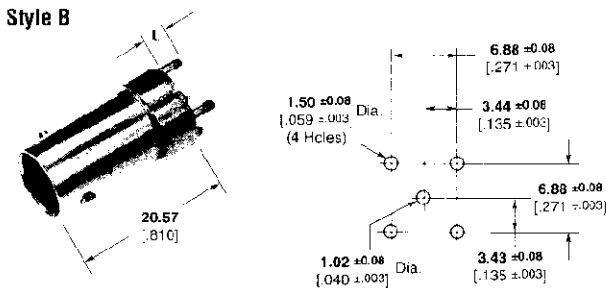
**Vertical Metalized Jacks  
PC Board Mount**

**Recommended PC Board Layouts**

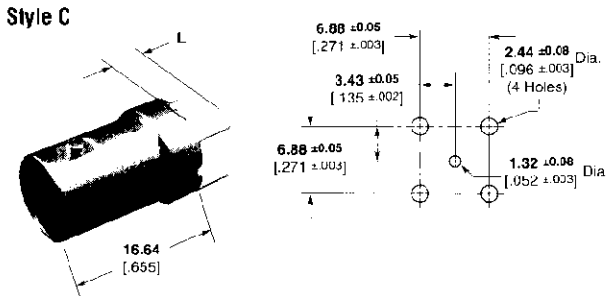
**Style A**



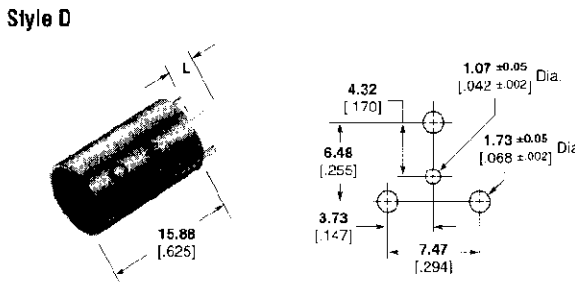
**Style B**



**Style C**



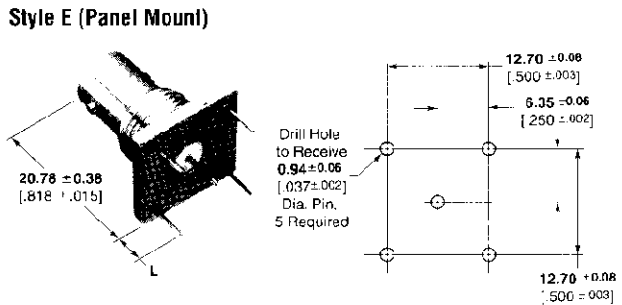
**Style D**



Body Plating	Center Contact Plating	Dielectric	Style	Leg Length L	Part No.
	Silver	VALOX	A	6.35 250	227699-1
	Gold	VALOX	A	6.35 250	227699-2
	Tin	VALOX	A	6.35 250	227699-3
Nicks	Gold	VALOX	A	3.81 150	414460-1 <sup>1</sup>
	Silver	TEFLON	B	3.30 130	413969-1
	Silver	VALOX	C	4.45 175	222420-1
	Gold	VALOX	E	6.35 250	415189-1
	Gold	TEFLON	F	2.54 100	1274360-1
	Gold	TEFLON	B	3.30 130	413969-2
In-Lead	Silver	VALOX	C	3.18 125	414305-1
	Silver	VALOX	C	4.45 175	414305-2
	Gold	VALOX	C	3.18 125	414305-3
	Gold	VALOX	C	4.45 175	414305-4
	Gold	VALOX	D	3.43 135	221123-2
	Tin	VALOX	D	3.43 135	221123-3

<sup>1</sup>With .76 [0.030] standoffs on top of legs.

**Style E (Panel Mount)**



**Style F (Push-On)**

