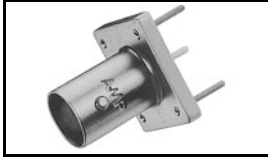


227699-1 Product Details

[Share](#) [Print](#) [Email](#)



227699-1

TE Internal Number:
227699-1

 Active

BNC RF Connectors

 Always EU RoHS/ELV Compliant (Statement of Compliance)

Product Highlights:

- Connector - RF
- Jack
- Connector Style = Jack
- Applies To Printed Circuit Board
- PCB Mounting Orientation = Vertical

[View all Features](#)

Quick Links

- ▶ [Pricing & Availability](#)
- ▶ [Search for Tooling](#)
- ▶ [Product Feature Selector](#)
- ▶ [Contact Us About This Product](#)

[Add to My Part List](#)

[Request Sample](#)

[Find Similar Products](#)

[Buy Product](#)

Documentation & Additional Information

Product Drawings:

- [JACK, 50 OHM, VERTICAL, PCB, BNC \(PDF, English\)](#)

Catalog Pages/Data Sheets:

- None Available

Product Specifications:

- [BNC PCB Straight and Right Angle Connectors \(PDF, English\)](#)

Application Specifications:

- None Available

Instruction Sheets:

- [Commercial BNC Jack Connectors f/PC Board and Panel ... \(PDF, English\)](#)
- [Commercial BNC Printed Circuit \(PC\) Board Vertical J... \(PDF, English\)](#)

CAD Files:

- None Available

[List all Documents](#)

Related Products:

- [Tooling](#)

Product Features (Please use the Product Drawing for all design activity)

Product Type Features:

- [Product Type](#) = Connector - RF
- [Gender](#) = Jack
- [PCB Mounting Orientation](#) = Vertical
- [Grade](#) = Commercial
- [PCB Mount Retention](#) = Without
- [Sealed](#) = No
- [Isolated](#) = No
- [Dielectric Material](#) = VALOX

Mechanical Attachment:

- [Surface Mountable](#) = No
- [Hardware Included](#) = No
- [Panel Mount Retention](#) = Without

Electrical Characteristics:

- [Connector Impedance](#) (Ω) = 50

Contact Features:

- [Center Contact Material](#) = Phosphor Bronze
- [Center Contact Plating](#) = Silver

Housing Features:

- [Connector Style](#) = Jack

Configuration Features:

- [Number of Ports](#) = 1
- [Solder Terminal](#) = Without

Industry Standards:

- [Government/Industry Qualification](#) = No
- [RoHS/ELV Compliance](#) = RoHS compliant, ELV compliant
- [Lead Free Solder Processes](#) = Wave solder capable to 240°C, Wave solder capable to 260°C, Wave solder capable to 265°C
- [RoHS/ELV Compliance History](#) = Always was RoHS

Dimensions:

- [PCB Height \(mm \[in\]\)](#) = 15.88 [0.625]

Body Features:

- [Body Shape](#) = Vertical-Flanged Base
- [Body Material](#) = Zinc
- [Body Plating](#) = Nickel
- [Body Insulation](#) = Without
- [Polarized](#) = No

compliant

Conditions for Usage:

- [Applies To](#) = Printed Circuit Board

Other:

- [Brand](#) = AMP

Corporate Information

[About TE](#)

[Investors](#)

[News Room](#)

[Supplier Portal](#)

[Careers](#)

[Terms & Conditions](#)

[Privacy Policy](#)

[AODA Accessibility Policy](#)

[AODA Multi-Year Accessibility Plan](#)

Quick Links

[Distributor Inventory](#)

[Product Cross Reference](#)

[Documents & Drawings](#)

[Product Compliance Support Center](#)

[Site Map](#)

Customer Support

[Email or Chat With Us](#)

[Find a Phone Number](#)

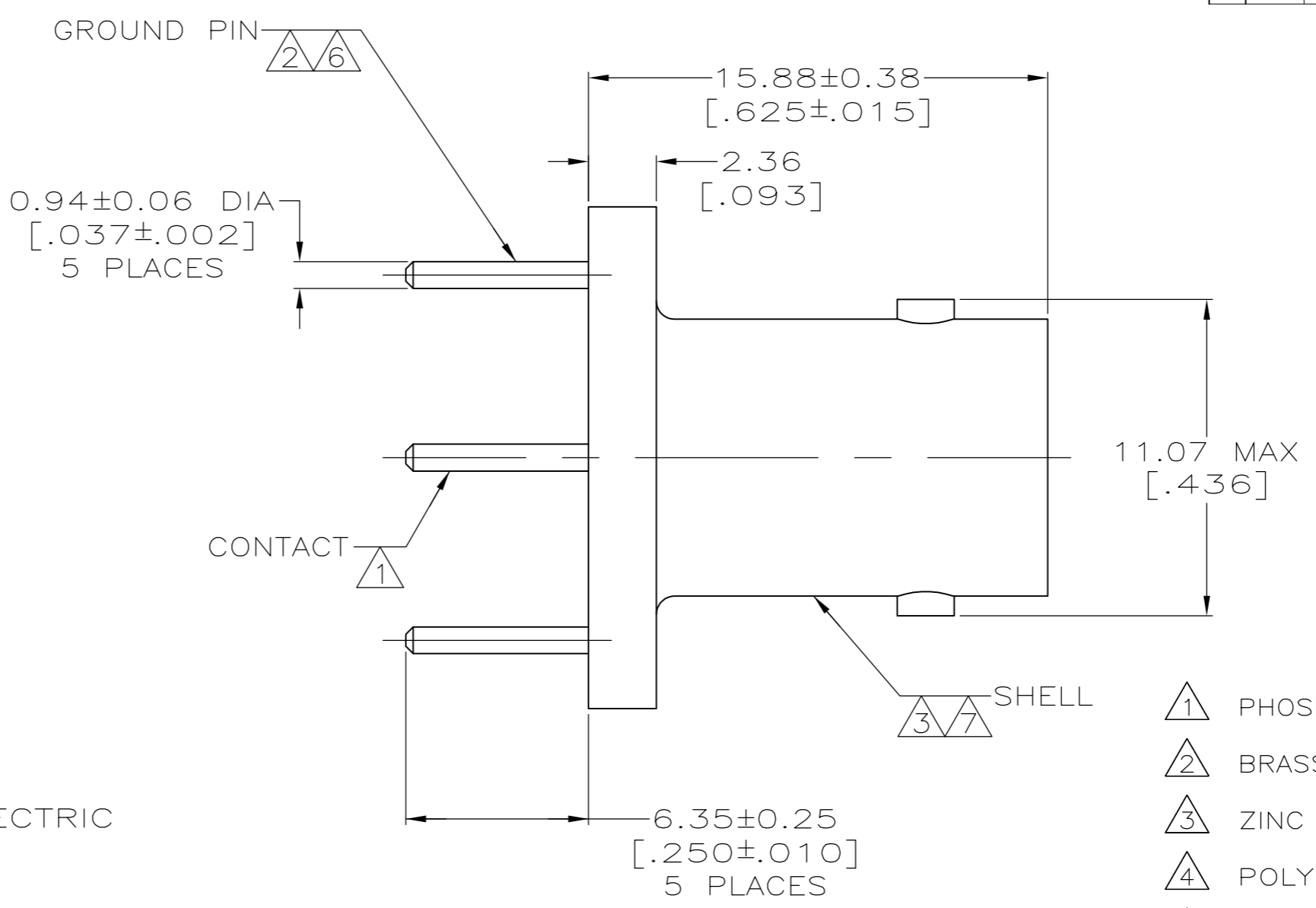
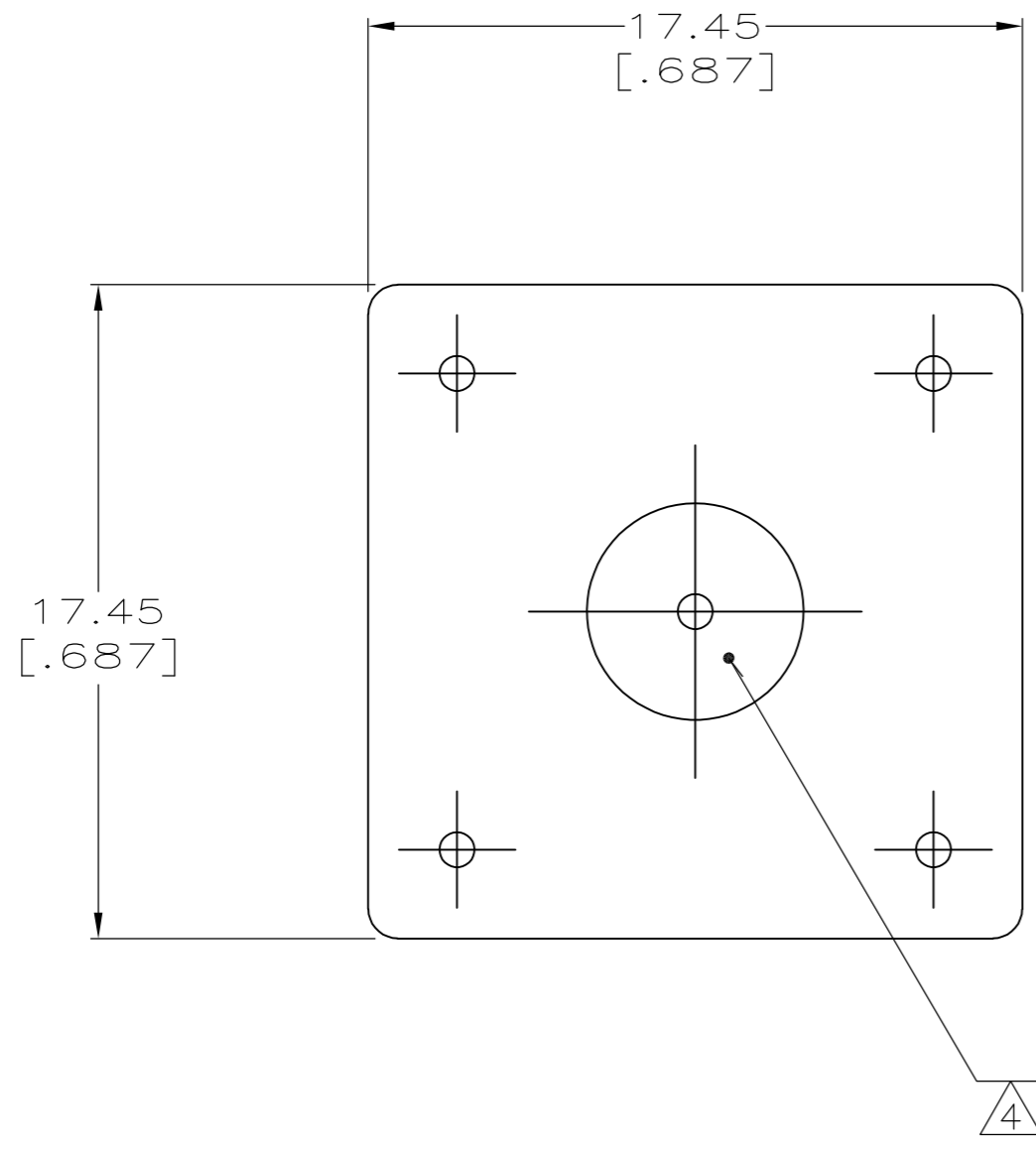
[Knowledge Base](#)

[Manage Your Account](#)

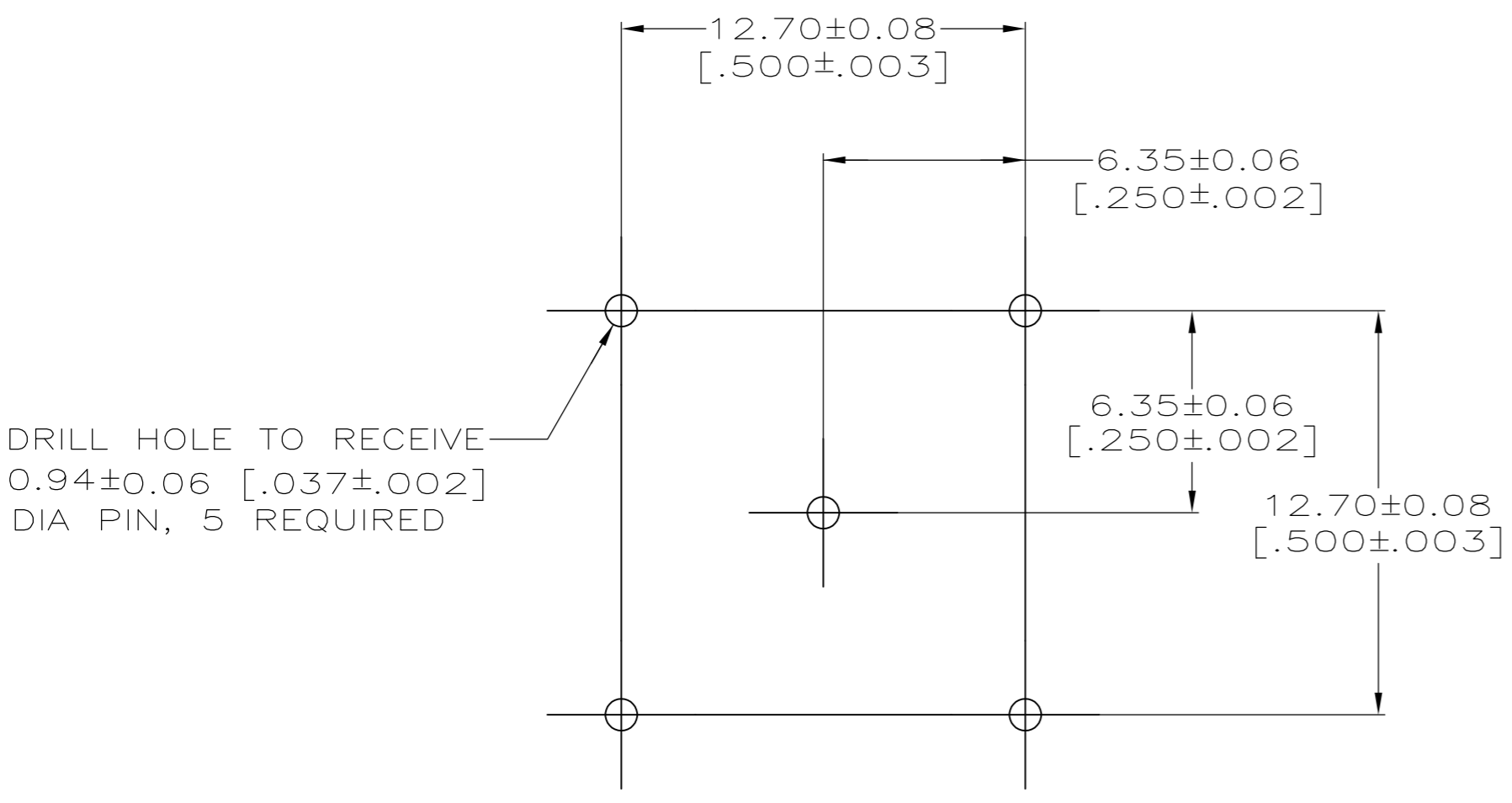
Keep Me Informed

THIS DRAWING IS UNPUBLISHED. RELEASED FOR PUBLICATION
 © COPYRIGHT - By - ALL RIGHTS RESERVED.

LOC		DIST		REVISIONS			
P	LTR	DESCRIPTION	DATE	DWN	APVD		
		L2	REVISED PER ECO-11-005030	11MAR11	RK	HMR	



- ① PHOSPHOR BRONZE PER QQ-B-750.
- ② BRASS PER QQ-B-626.
- ③ ZINC PER QQ-Z-363.
- ④ POLYESTER, PBT, PER MIL-M-24519.
- ⑤ SILVER PLATE PER QQ-S-365
2.54 μm [0.000100] MINIMUM THICK.
- ⑥ TIN PLATE PER ASTM-B-545
2.54 μm [0.000100] MINIMUM THICK.
- ⑦ NICKEL PLATE PER QQ-N-290
3.81 μm [0.000150] MINIMUM THICK.
- ⑧ GOLD PLATE PER MIL-G-45204,
0.76 μm [0.000030] MINIMUM THICK.
- 9. SEE INSTRUCTION SHEET 408-9889.



SUGGESTED PCB CONFIGURATION

OBSOLETE	CONTACT FINISH	PART NUMBER
⑥		9-227699-0
⑧		227699-3
⑧		227699-2
⑤		227699-1

THIS DRAWING IS A CONTROLLED DOCUMENT.		DWN J. LIPPERT 2-14-92	STE TE Connectivity	
DIMENSIONS: INCHES		CHK A. GABANY 2-14-92		
TOLERANCES UNLESS OTHERWISE SPECIFIED:		APVD J. LIPPERT 02-14-92	NAME JACK, 50 OHM, VERTICAL, PCB, BNC	
0 PLC ± -		PRODUCT SPEC 108-12078	SIZE A2	
1 PLC ± -		APPLICATION SPEC	CAGE CODE 00779	DRAWING NO C-227699
2 PLC ± 0.20 [0.008]		WEIGHT -	RESTRICTED TO -	
3 PLC ± -			SCALE 5:1	SHEET 1 of 1
4 PLC ± -			REV L2	
ANGLES ± -		CUSTOMER DRAWING		
FINISH		SCALE 5:1 SHEET 1 of 1 REV L2		